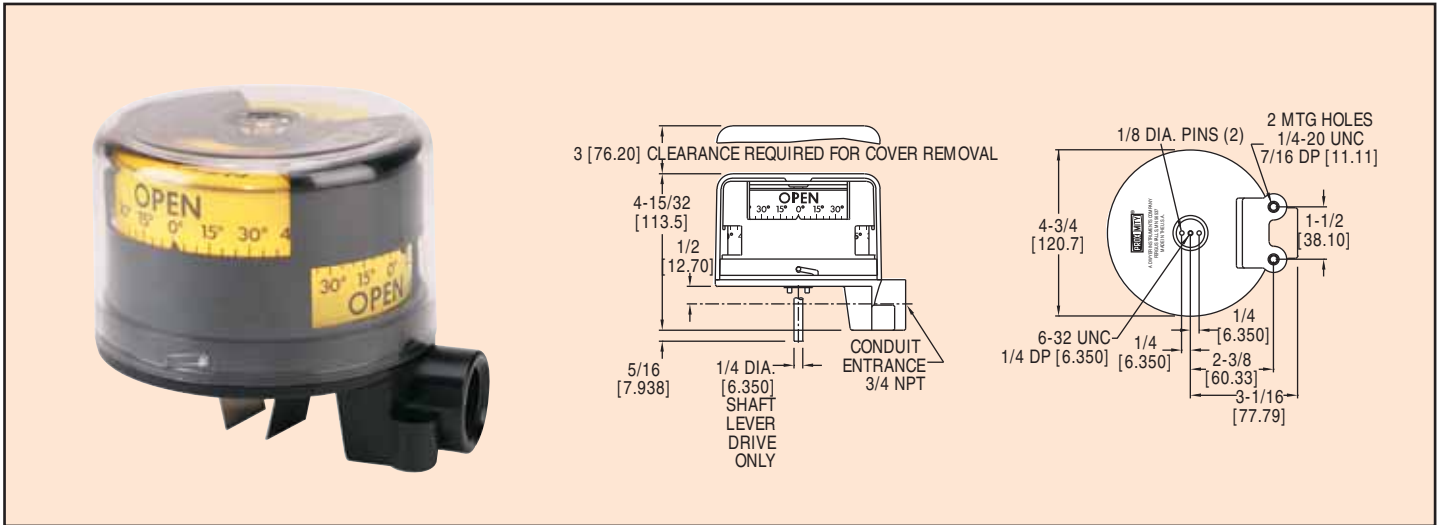




QUICK-VIEW® Valve Position Indicator / Switch

Ultra-Low Cost, Compact, Backlit, Corrosion Resistant



FEATURES AND BENEFITS

The QUICK-VIEW® Rotary Valve Position Indicators, now UL and CSA rated, are produced by Proximity with up to four individual mechanical or proximity switches. The QUICK-VIEW® indicator is also available with optional backlighting. Benefits include:

- The lowest cost position indication.
- Extremely compact design.
- Easily interchangeable with key competition.
- Backlighting option available for maximum visibility.
- QUICK-VIEW® Indicator and mounting kits, including NAMUR kits, are stocked for fast delivery.
- Flame retardant.
- UV protection.
- Hazardous location option.

APPLICATIONS

The QV Series Proximity Position Indicators are designed for maximum reliability in general purpose and corrosive environments. Applications include: rotary and linear valves, actuators, manual valves, gear operators and positioners.

Consult factory for optional VI colors.

Model	Backlighting
QV-210101	No
QV-210111	Yes

Note: Stocked position indicators include two 10 amp SPDT mechanical snap switches, are direct drive type and include the standard quarter-turn OPEN/CLOSED visual indicator. Standard units are CSA & UL approved but not for hazardous locations. Specify "EX" for hazardous location option.

SPECIFICATIONS

Minimum Rotation Travel – Switches only: 5°.
Maximum Rotation Travel – Switches only: 360°.
Temperature Limits: -40 to 180°F (-40 to 82°C).

Switch Type: SPDT.

Electrical SPDT Switch Ratings:

QV-X1XXXX: 10A @ 125/250 VAC; 0.5A 125 VDC;
 10A @ 24 VDC mech. switch.

QV-X2XXXX: 1A @ 125 VAC; 1A @ 24 VDC mech. switch.

QV-X3XXXX: 2A @ 125 VAC; 2A @ 30 VDC prox. switch.

QV-X4XXXX: 5-25 VDC NAMUR sensor.

QV-X5XXXX: 10-30 VDC INDUCTIVE sensor.

QV-X6XXXX: 10A @ 125/250 VAC mech. switch.

Lighting Supply Voltage: 24-28 VDC.

Enclosure Material: Polycarbonate housing and conduit.

Conduit Entrance: One 3/4" NPT.

Enclosure Rating: NEMA 4, 4X. Optional explosion-proof, rated: Class I, Groups A, B, C, D; Class II, Groups F & G; Div. 2.

Maximum Altitude: 2000 m (6560 ft).

Agency Approvals: CSA, UL, cUL.

Quick-View® Complete Model Chart

QV	Model Number Prefix
	1st Code (1st X) Number of Switches
0	None+
1	One Switch+
2	Two Switches+
3	Three Switches+
4	Four Switches+
	2nd Code (2nd X) Switch Type
0	No Switches+
1	10A Mechanical Snap Switch
2	1A Mechanical Gold Contacts
3	2A Proximity Reed Switch+
4	5-25 VDC Namur Sensor
5	10-30 VDC Inductive Sensor
6	10A Mechanical Snap Switch
	3rd Code (3rd X)
0	
	4th Code (4th X) Driving Style
1	Direct Drive+
2	Lever Drive+
3	Namur Drive+
	5th Code (5th X) Lighting Option
0	None+
1	24 to 28 VDC Bright White LED's
	6th Code (6th X) Visual Indication
0	None
1	Standard (Open Closed)+
2	Upside Down (Open Closed)+
	7th Code (7th X) Additional Options
EX	Class I, Div. II, Groups A, B, C & D. Class II, Div. II Groups F & G.
QV 2 1 0 1 0 1	- Example Popular Model Number

+ EX, Explosion-proof option available.

Note: The 1st, 2nd, 3rd and 6th codes can not all be zero.