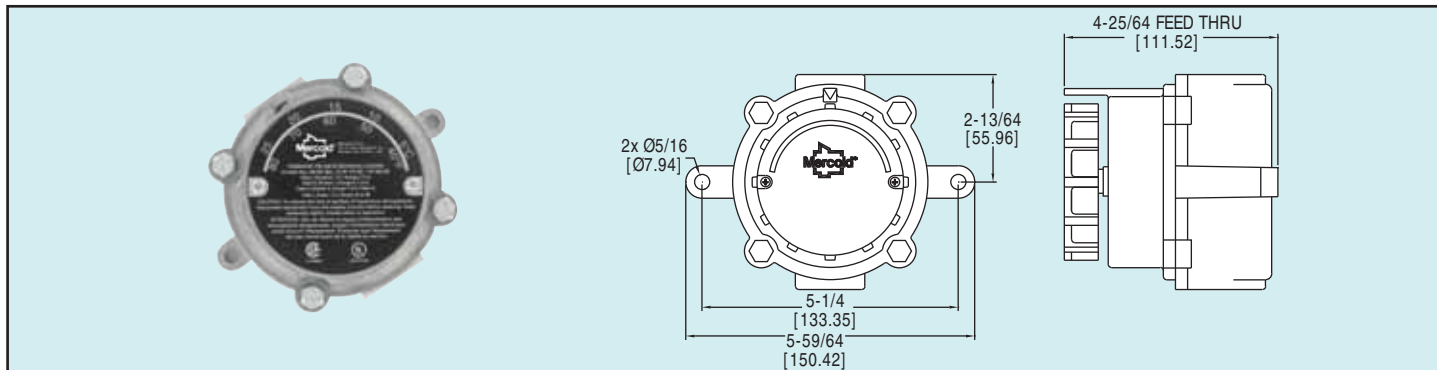




Model  
862E

# Explosion-Proof, Heavy-Duty Thermostat

Line or Low Voltage, Heating or Cooling



**Explosion-proof, heavy duty, the Model 862E Thermostat** is designed for hazardous-location temperature control. It is the most dependable, smallest, lightest and most durable thermostat available. The 862E is designed to control heating, cooling, or ventilation systems and features an adjustable set point knob for easy and convenient setpoint adjustment. The thermostat incorporates reliable snap action switch operation in SPDT configuration rated to 480 VAC max.

## APPLICATIONS

Oil refineries, petrochemical plants, pulp and paper mills, coal mines, grain elevators, hazardous waste water storage facilities, other hazardous locations where specific explosive gases or dusts are present.

**Model 862E**, Explosion-Proof, Heavy-Duty Thermostat

## SPECIFICATIONS

**Service:** Compatible gases.

**Temperature Limit:** -49 to 176°F (-45 to 80°C).

**Enclosure Rating:** Explosion-proof NEMA 7 & 9, Class I, Divisions 1 & 2, Groups C & D; Class II, Division 1, Groups E, F & G; Class II, Division 2, Groups F & G; Class III; Class I, Zones 1 & 2, Groups IIA & IIB.

**Switch Type:** SPDT snap action switch.

**Electrical Rating:** 22 A @ 480 VAC (res.), 1/2 HP @ 125 VAC, 1 HP @ 250 VAC.

**Electrical Connection:** Screw terminal.

**Conduit Connection:** 3/4" female NPT.

**Set Point Adjustment:** External knob.  
**Adjustable Range:** 36 to 82°F (2 to 28°C).

**Deadband:** 2.5°F (1.5°C).

**Weight:** 2.1 lb (0.95 kg).

**Approval:** UL and CSA.