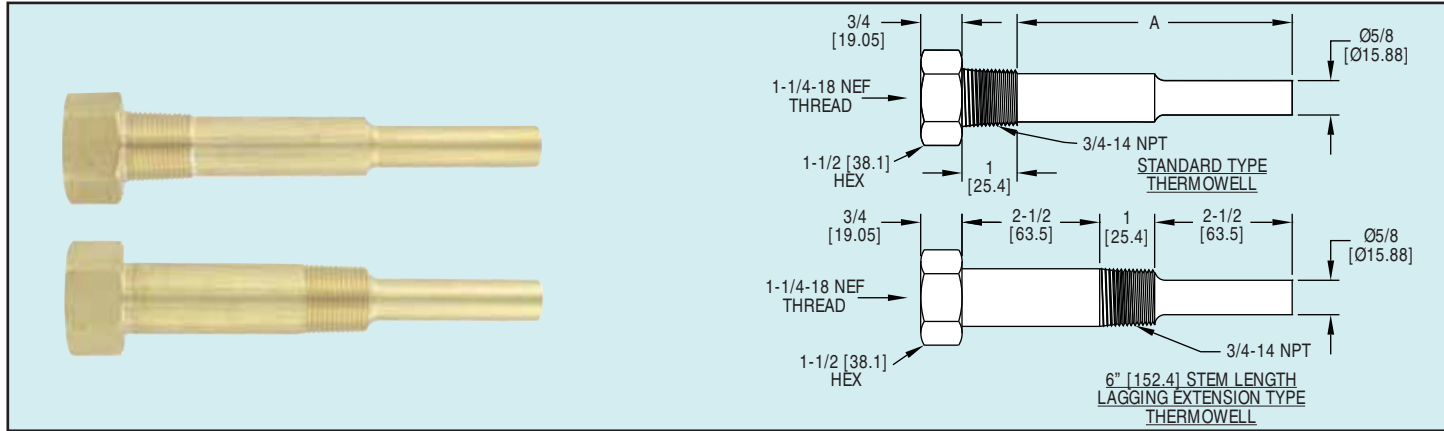




Series
IT-W

Industrial Thermometer Thermowells

Fits Thermometers with 3-1/2" and 6" Stem Lengths



The Series IT-W Thermowells reduce installation cost and time by eliminating the need to drain the system when servicing industrial thermometers. The thermowells protect industrial thermometers from high pressure, flow and corrosive media. Series IT-W Thermowells are available with 2-1/2" and 5" insertion lengths and with the option of a 2-1/2" lagging extension. These cost efficient brass, 304 stainless steel, and 316 stainless steel thermowells with 3/4" NPT threads are compatible with most applications.

Model	Materials	Insertion Length	Lag
IT-W01	Brass	2-1/2"	N/A
IT-W11	304 SS	2-1/2"	N/A
IT-W21	316 SS	2-1/2"	N/A
IT-W04	Brass	5"	N/A
IT-W14	304 SS	5"	N/A
IT-W24	316 SS	5"	N/A
IT-W07	Brass	2-1/2"	2-1/2"
IT-W17	304 SS	2-1/2"	2-1/2"
IT-W27	316 SS	2-1/2"	2-1/2"

CALL TO ORDER: U.S. Phone 219 879-8000 • U.K. Phone (+44) (0)1494-461707 • Asia Pacific Phone 61 2 4272-2055