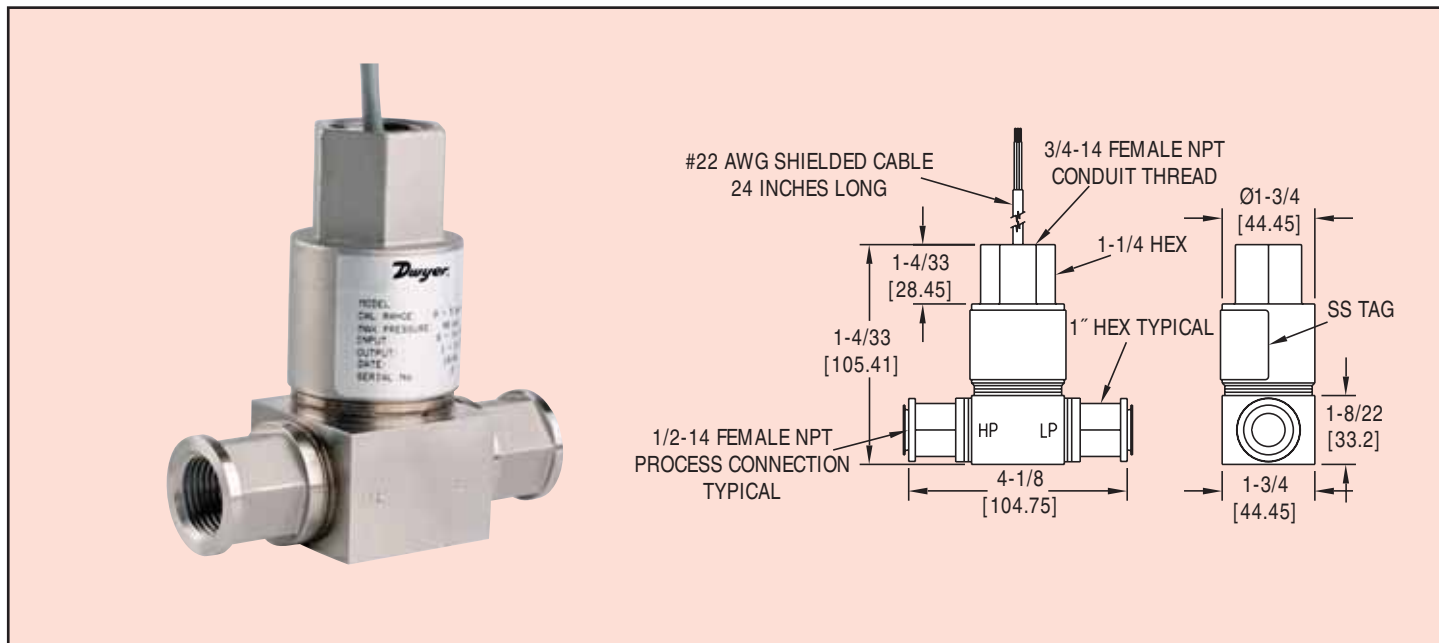




Series
636D

Fixed Range Differential Pressure Transmitter

Explosion-proof, 0.5% Accuracy



The Series 636D Differential Pressure Transmitter can be used for measuring pressures of liquids, gases, & vapors. All available ranges have an excellent 0.5% F.S. accuracy with a 4-20 mA output standard or optional 1-5 VDC output. The NEMA 4 housing is an all 316 welded construction that is designed to withstand the harshest environmental conditions. With all 316L wetted materials this transmitter is compatible with most media. These units are CSA approved explosion-proof for use in the specified hazardous locations and meet NACE standards for off-shore applications.

SPECIFICATIONS

Service: Compatible gases, liquids, or vapors.

Wetted Materials: Types 316L SS.

Accuracy: BFSL: ±0.5% F.S. (includes linearity, hysteresis, & repeatability).

Stability: ±1.0 F.S./yr.

Pressure Limits: 3 x full scale differential pressure; Burst: 2500 psig.

Temperature Limits:

Ambient Operating: -40 to 140°F (-40 to 60°C). Process Interface:

-40 to 212°F (-40 to 100°C). Storage: -40 to 212°F (-40 to 100°C).

Compensated Temperature Range:

-20 to 160°F (-29 to 71°C).

Thermal Effect: ±2% F.S./50°F (reference to 77°F).

Power Requirements: 12-30 VDC for 4-20 mA outputs; 8-14 VDC for 1-5 VDC outputs, both with reverse polarity protection.

Output Signal: 4-20 mA DC or 1-5 VDC.

Zero and Span Adjustment: Fixed.

Response Time: 20 ms.

Loop Resistance: 900 ohms max @ 30 VDC for current outputs. For voltage outputs, minimum lead resistance 50k ohms.

Current Consumption: 4-20 mA for current output models; 3 mA for voltage output models.

Electrical Connections: 2 ft, 22 AWG cable; 3/4" female NPT conduit.

Process Connections: Two 1/2" female NPT.

Enclosure Rating: NEMA 4 (IP66).

Mounting Orientation: ±0.05 psi/90° rotation from horizontal.

Weight: 1.8 lb (0.82 kg).

Agency Approvals: CSA approved explosion-proof for Class I, Division 1, Groups B, C, and D; Class II, Groups E, F, and G; Class III.

Model Number 4-20 mA Out	Range	Model Number 1-5 VDC Out	Range
636D-0	0-6 psid	636D-0-LP	0-6 psid
636D-1	0-15 psid	636D-1-LP	0-15 psid
636D-2	0-30 psid	636D-2-LP	0-30 psid
636D-3	0-60 psid	636D-3-LP	0-60 psid
636D-4	0-100 psid	636D-4-LP	0-100 psid
636D-5	0-150 psid	636D-5-LP	0-150 psid
636D-6	0-200 psid	636D-6-LP	0-200 psid
636D-7	0-300 psid	636D-7-LP	0-300 psid
636D-8	0-500 psid	636D-8-LP	0-500 psid