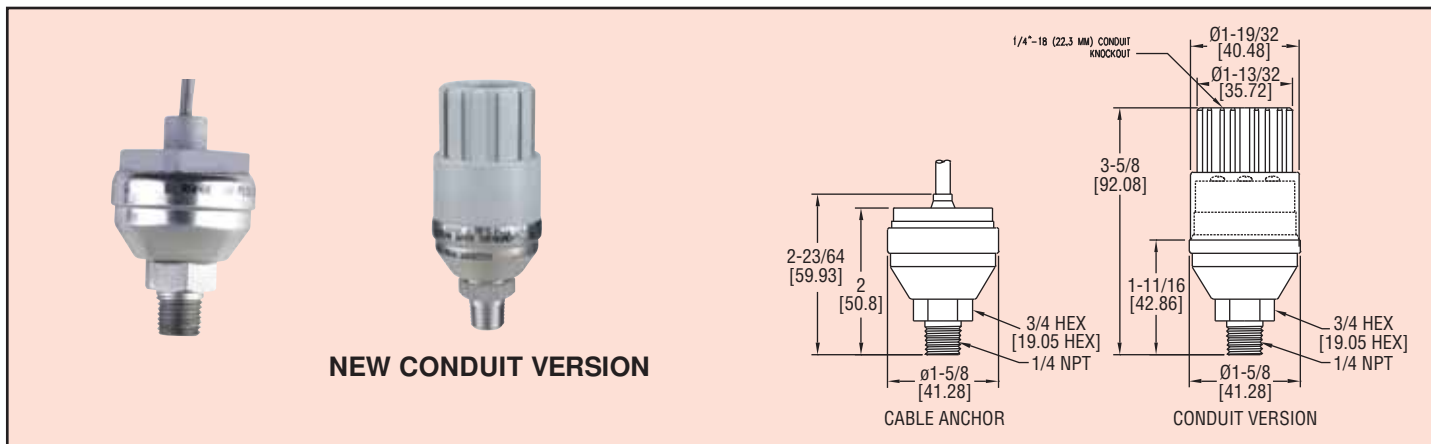




Series
673

Pressure Transmitter

± 0.25% Full Span Accuracy, 4-20 mA Signal, Ranges to 1000 psi



The low cost Series 673 Pressure Transmitter is a fixed range transmitter designed for harsh environments and suitable for high shock and vibration applications. Constructed of stainless steel, the Series 673 provides a 4 to 20 mA output signal with 0.25% accuracy. Use the Series 673 in industrial OEM equipment, hydraulic systems, HVAC equipment, industrial engines and compressor control.

SPECIFICATIONS

Service: Liquid, gas, or vapor.

Wetted Materials: 17-4 PH SS.

Accuracy: ±0.25% FS (RSS), (includes non-linearity, hysteresis and non-repeatability).

Temperature Limits:

-40 to 260°F (-40 to 125°C).

Pressure Limits: 2 x maximum range.

Compensated Temperature Range: 4 to 212°F (-20 to 100°C).

Thermal Errors: Zero: ±3.6% FS/100°F(100°C); Span: ±2.7% FS/100°F(100°C).

Supply Voltage: 9-30 VDC.

Output: 4-20 mA, 2-wire.

Zero & Span Adjustment: Fixed.

Response Time: <60 msec.

Loop Resistance: 0 to 800Ω.

Stability: 0.5% FS/year.

Shock: 200 g.

Vibration: 20 g.

Electrical Connections: 2 ft (61 cm) multiconductor cable.

Conduit Connection: 1/4"-18 (22.3 mm) knockout.

Enclosure: Stainless Steel and Valox.

Weight: 2.3 oz (65 g).

Agency Approvals: CE.

Model Number*	Range	Model Number*	Range
673-1	0-1 psi	673-1C	0-1 psi
673-2	0-2 psi	673-2C	0-2 psi
673-3	0-5 psi	673-3C	0-5 psi
673-4	0-10 psi	673-4C	0-10 psi
673-5	0-25 psi	673-5C	0-25 psi
673-6	50 psi	673-6C	50 psi
673-7	100 psi	673-7C	100 psi
673-8	200 psi	673-8C	200 psi
673-9	500 psi	673-9C	500 psi
673-10	1000 psi	673-10C	1000 psi
673-13	-14.7-30 psig	673-13C	-14.7-30 psig
673-14	-14.7-100 psig	673-14C	-14.7-100 psig

* The model numbers followed by a "C" represent the conduit version.