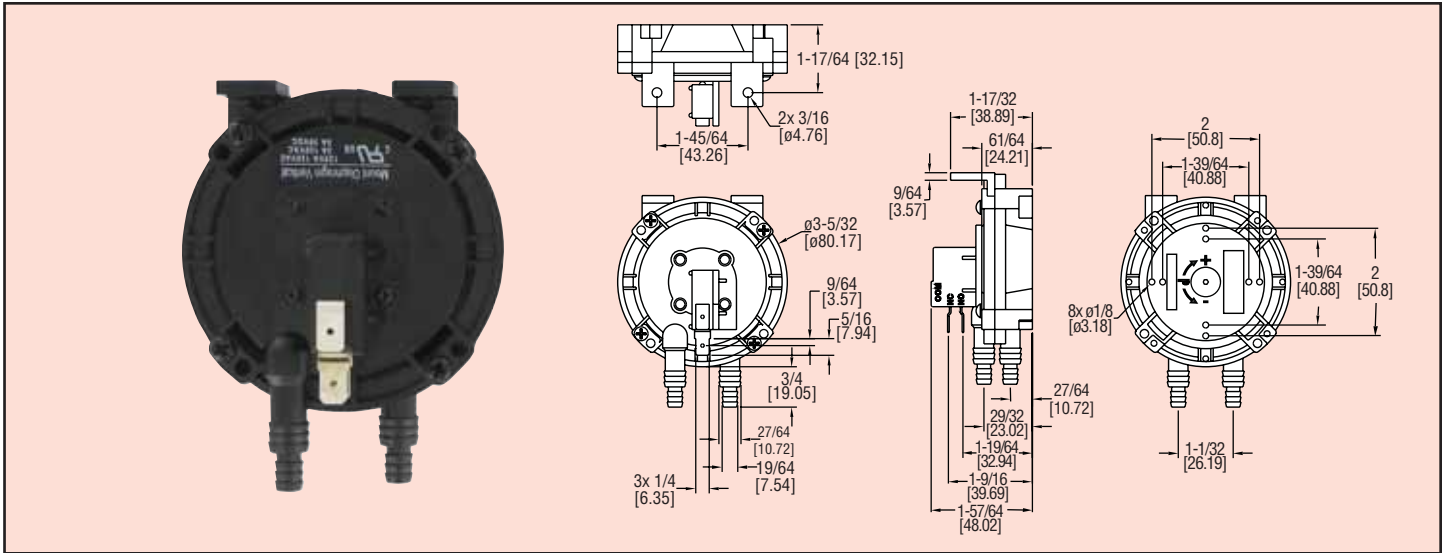




Series PDPS

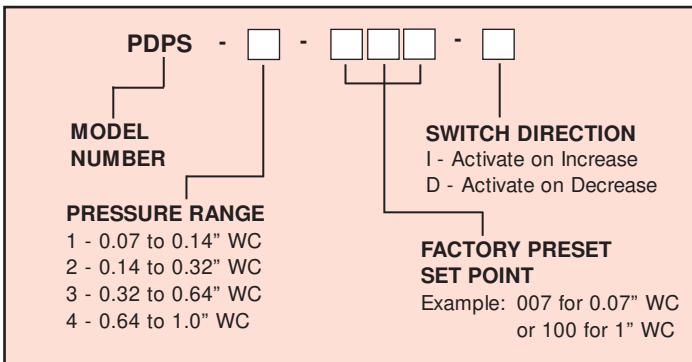
# Compact Economic Differential Pressure Switch

Low Pressures down 0.07 in w.c.



The Series PDPS's large diameter diaphragm and snap action switch make it dependable and ideal for OEM applications. The Series PDPS Pressure Switches are available for pressure, vacuum, and differential applications and are factory preset for pressures from 0.07 in. of w.c. to 1.0 in. of w.c. with full-scale repeatability of  $\pm 0.02$  in. of w.c. Other features of the PDPS pressure switch include standard multi-barb port connections, inherent mounting and quick disconnect terminals, which make the Series PDPS perfect for many OEM applications.

**NOTE: All purchases must be of 50 units or more.**



## SPECIFICATIONS

- Service:** Air and Compatible gases.
- Wetted Materials:** Polyphenylene oxide-styrene housing, Fluorosilicon diaphragm, Stainless Steel spring.
- Temperature Limits:** -40 to 185°F (-40 to 85°C).
- Operating Pressure:** 0.07 in w.c. to 1.0 in w.c.
- Repeatability:**  $\pm 0.02$  inches of w.c.
- Burst Pressure:** 3.5 PSI (0.241 bars).
- Proof Pressure:** 1.0 PSI (0.069 bars).
- Switch Type:** Conventional snap action switch.
- Electrical Rating:** 5A 125/250 VAC Standard, 3A 125/250 AC 1/10 HP 125/250 VAC, .01A 125/250 VAC. Gold (Resistive Load) (UL 1054, EN 61058) UL/VDE Approved MH29861.
- Process Connections:** Multi-barb port connections for 1/4" and 3/8" I.O. tubing.
- Mounting Orientation:** Mount switch with diaphragm in a vertical position unless customer has specified otherwise.
- Set Point Adjustment:** Set point adjusted at factory.
- Agency Approvals:** UL-508 Industrial Controls; UL-353 Pilot Duty Requirements; BS EN 1854: 1997.
- Weight:** 2.7 oz (76.5 g).

## Series PDPS Pressure Switches