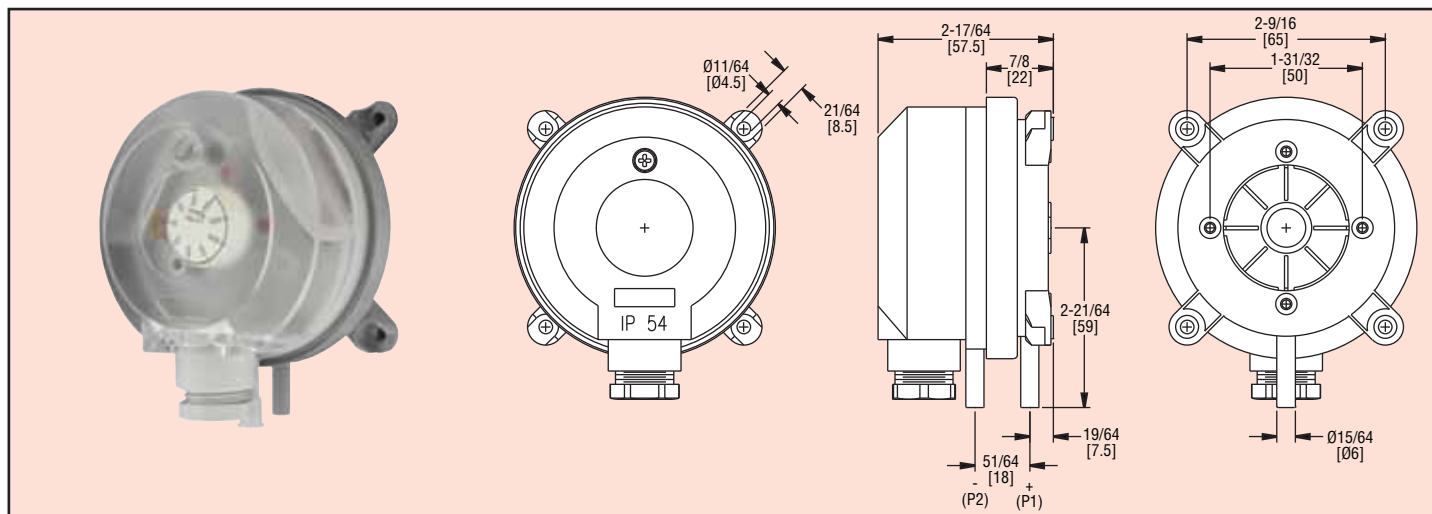




Series
ADPS

H.V.A.C. Differential Pressure Switch

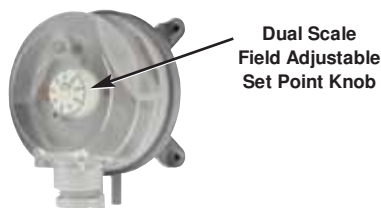
With Dual Scale Field Adjustable Set Point Knob



The Series ADPS Adjustable Differential Pressure Switch is designed for pressure, vacuum, and differential pressures. The dual scaled adjustment knob in inches water column and pascals allows changes to the switching pressure to be made without a pressure gage. The ADPS is available with settings from 0.08" w.c. (20 Pa) up to 16" w.c. (4000 Pa). The silicone diaphragm and PA 6.6 body make the series ADPS ideal for use with air and other noncombustible gases. The compact size, adjustment knob and low cost make the ADPS the perfect choice for H.V.A.C. applications.

Typical Applications Include:

- Monitoring air filters and ventilators.
- Monitoring industrial cooling-air circuits.
- Overheating protection for fan heaters.
- Monitoring flows in ventilation ducts.
- Controlling air and fire-protection dampers.
- Frost protection for heat exchanges.



Dual Scale
Field Adjustable
Set Point Knob

SPECIFICATIONS

- Service:** Air and noncombustible, compatible gases.
- Wetted Materials:** Diaphragm Material: Silicone. Housing Material: switch body: PA 6.6; Cover: Polystyrene.
- Temperature Limits:** Process ambient temperature from -4 to 185°F (-20 to 85°C).
- Pressure Limits:** Max. Operating Pressure: 40" W.C. (10 kPa) for all pressure ranges.
- Switch Type:** Single-pole double-throw (SPDT).
- Electrical Rating:** Standard: Max., 1.5A/250 VAC, max. switching rate: 6 cycles/min.; Gold Contact Option: 0.4 A/ 250 VAC.
- Electrical Connections:** Push-on screw terminals. M20x1.5 with cable strain relief or optional 1/2" NPT connection.
- Process Connections:** 5/16" (7.94 mm) outside diameter tubing, 1/4" (6.0 mm) inside diameter tubing.
- Mounting Orientation:** Vertically, with pressure connections pointing downwards.
- Mechanical Working Life:** Over 10⁶ switching operations.
- Weight:** 5.6 oz (160 g).
- Enclosure Rating:** NEMA 13, IP54.
- Agency Approvals:** CE.

Model No.	Set Point Range IN W.C. (Pa)	Approx. Dead Band @ Min Set Point IN W.C. (Pa)	Approx. Dead Band @ Max Set Point IN W.C. (Pa)
ADPS-01-2-N	0.08 to 0.80 (20-200)	0.04 (10)	0.05 (12)
ADPS-04-2-N	0.12 to 1.60 (30-400)	0.06 (15)	0.09 (22)
ADPS-03-2-N	0.20 to 2.00 (50-500)	0.08 (20)	0.09 (23)
ADPS-05-2-N	0.80 to 4.00 (200-1000)	0.4 (100)	0.5 (130)
ADPS-06-2-N	2.00 to 10.00 (500-2500)	0.6 (150)	0.8 (200)
ADPS-07-2-N	4.00 to 16.00 (1000-4000)	1.0 (250)	1.4 (350)

ACCESSORIES

- A-288, "L" type metal mounting bracket with screws
- A-289, "S" type metal mounting bracket with screws