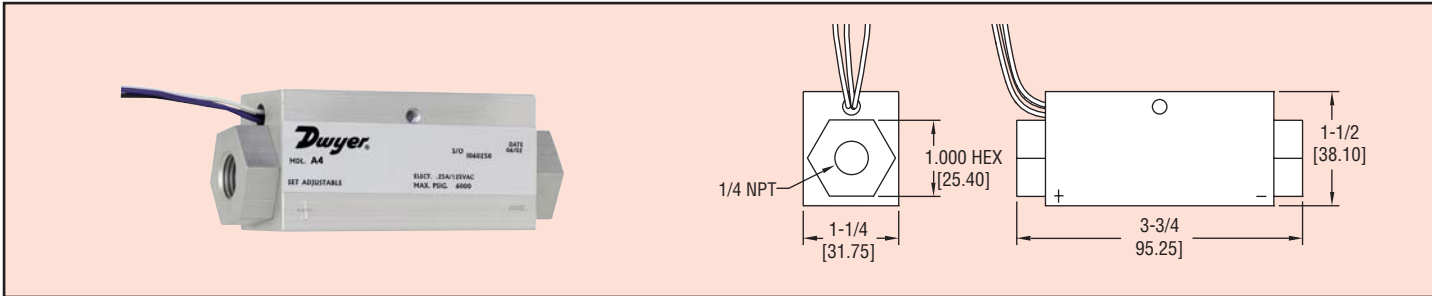




Series
A4

Differential Pressure Switch

Adjustable Set Point, High Overpressure



Rugged Series A4 Differential Pressure Switch offers field adjustments and can handle system pressures up to 6000 psig. Piston design allows mounting in any orientation. The switch is capable of carrying moderate shock and vibratory loads.

SPECIFICATIONS

- Service:** Compatible gases.
- Wetted Materials:** Body, piston, and fittings: anodized aluminum; spring: steel.
- Temperature Limits:** -65 to 225°F (-54 to 107°C).
- Pressure Limits:** 2000 psid (138 bar).
- Repeatability:** See table.
- Switch Type:** SPDT.
- Electrical Rating:** AC: 3 VA, 0.25A @ 120 VAC; 5 VA, 0.25A @ 175 VDC.
- Electrical Connection:** 24 AWG X 12" (30.5 cm) wire leads.
- Process Connection:** 1/4" female NPT.
- Mounting Orientation:** Any.
- Set Point Adjustment:** See table.
- Weight:** 8.5 oz (241 g).
- Agency Approvals:** CE.

STOCKED MODELS

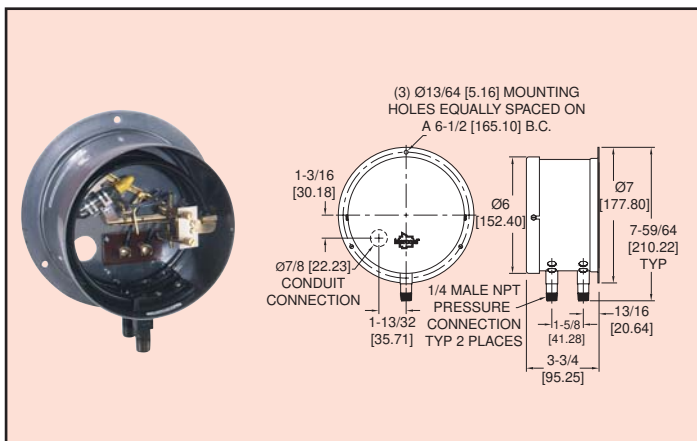
Model Number	Repeatability (psi)	Set Point (psid)	
		Increasing	Decreasing
A4-1	±2	7-13	2-7
A4-2	±4	13-25	5-16
A4-3	±8	25-45	10-21
A4-4	±16	35-160	20-80
A4-5	±32	120-250	35-120



Series
BB

Bourdon Tube Differential Pressure Switches

Stainless Steel Bourdon Tubes, Adjustable Deadband, High Pressure



Welded stainless steel Bourdon tubes reduce chance of leakage, (even in the event of fire), in model BB differential pressure switches. Units are ideal for checking differential pressure (head) across high pressure pumps and filters. Hermetically sealed mercury wetted contacts help ensure reliable operations. Extra sensitive (fixed deadband) units are available on special order, as are weather-proof and explosion-proof enclosures.

SPECIFICATIONS

- Wetted Materials:** 403 SS Bourdon tube. 316 SS optional.
- Temperature Limits:** -10 to 180°F (-23 to 82°C).
- Pressure Limit:** Maximum pressure of the operating range.
- Enclosure Rating:** General purpose. Weatherproof and explosion-proof optional.
- Switch Type:** SPST mercury switch. Models shown close on increase of differential pressure. Replace "-3" with "-2" in model number for open on increase.
- Electrical Rating:** 5A @ 120 VAC, 2.5A @ 240 VAC, 2.5A @ 120 VDC, 1A @ 240 VDC.
- Electrical Connections:** Screw type.
- Conduit Connection:** 7/8" (22.23 mm) hole for 1/2" (12.7 mm) conduit hub.
- Process Connection:** 1/4" male NPT. 1/2" male NPT on ranges 15S and 16S.
- Mounting Orientation:** Vertical. Vibration free.
- Set Point Adjustment:** Thumbwheel screw.
- Weight:** 4 lb (1.8 kg).
- Deadband:** See model chart.

POPULAR MODELS

Model	Operating Range psig (bar)	Differential Range psid (bar)	Min./Max. Deadband psig (bar)
BB-523-3-6S	5-100 (.3-6.9)	0-40 (0-2.8)	3/40 (.21/2.8)
BB-523-3-8S	10-200 (.7-13.8)	0-120 (0-8.3)	4/120 (.28/8.3)
BB-523-3-9S	10-300 (.7-20.7)	0-180 (0-12.4)	6/80 (.41/5.5)
BB-523-3-10S	25-600 (1.7-41.4)	0-360 (0-24.8)	15/360 (1.0/24.8)
BB-523-3-11S	50-1000 (3.5-69.0)	0-600 (0-41.4)	20/600 (1.4/41.4)
BB-523-3-12S	100-1500 (6.9-103.4)	0-900 (0-62.1)	40/900 (2.8/62.1)
BB-523-3-13S	300-2500 (20.7-172.4)	0-1500(0-103.4)	50/1500 (3.5/103.4)
BB-523-3-15S	500-5000 (34.5-344.7)	0-3000(0-206.8)	200/3000 (8.6/206.8)
BB-523-3-16S	1000-8000 (69.9-551.6)	0-5000(0-344.7)	500/5000 (34.5-344.7)

Maximum pressure not to exceed maximum adjustable operating pressure range.

Suggested Specification:

Differential pressure switches shall be operated by welded type 403 stainless steel Bourdon tubes. No elastomeric or plastic O-rings, diaphragms or packing shall be used in pressure containment. Contacts shall be hermetically sealed and mercury wetted. Units shall be Mercoid Model No. BB ().