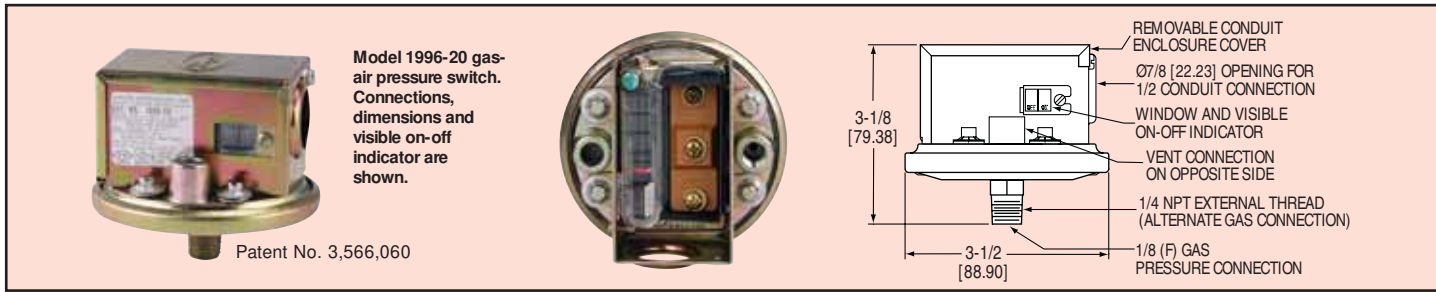




Series 1996

# Gas Pressure Switches

Compact, Low Cost, 4" - 20" w.c. Range



Model 1996-20 gas-air pressure switch. Connections, dimensions and visible on-off indicator are shown.

Patent No. 3,566,060

**Reliable and convenient**, the 1996-5 and the 1996-20 Gas Pressure Switches serve as a compact, low cost switch for gas fired furnaces and equipment. Pressure ranges for both models are ideal for high or low gas pressure interlock. Visible set point and on-off indicators add convenience in servicing. Use either NO or NC contacts on SPDT switch. Bottom connection has both 1/8" female and 1/4" male threads for pipe nipple or coupling. Top connection vents diaphragm chamber to outside or to furnace combustion chamber. Mount switch with diaphragm in a horizontal position and gas pressure connection at bottom. Used with natural, manufactured or LP gas. Also see Model 1950G.

## SPECIFICATIONS

**Service:** Air, natural & manufactured gas, LP gas.  
**Wetted Materials:** Consult factory.  
**Temperature Limits:** 32 to 110°F (0 to 43.3°C). -30 to 110°F (-34.4 to 43.3°C) for dry gas or dry air.  
**Pressure Limits:** 45" w.c. (11.2 kPa) continuous; 10 psig (68.95 kPa) surge.  
**Switch Type:** Single-pole double-throw (SPDT).  
**Electrical Rating:** 15A @ 120-480 VAC, 60 Hz. Resistive 1/8 H.P. @ 125 VAC, 1/4 H.P. @ 250 VAC 60 Hz.

**Electrical Connections:** 3 screw type, common, normally open, normally closed.  
**Process Connections:** 1/8" female NPT or 1/4" male NPT.  
**Vent Connection:** 1/8" female NPT.  
**Mounting Orientation:** Diaphragm in horizontal position. Consult factory for other position orientations.  
**Set Point Adjustment:** Screw type with visible indicator, inside conduit enclosure.  
**Weight:** 1 lb 2.3 oz (349 g).  
**Agency Approvals:** CE, UL, CSA, FM.

## MODELS

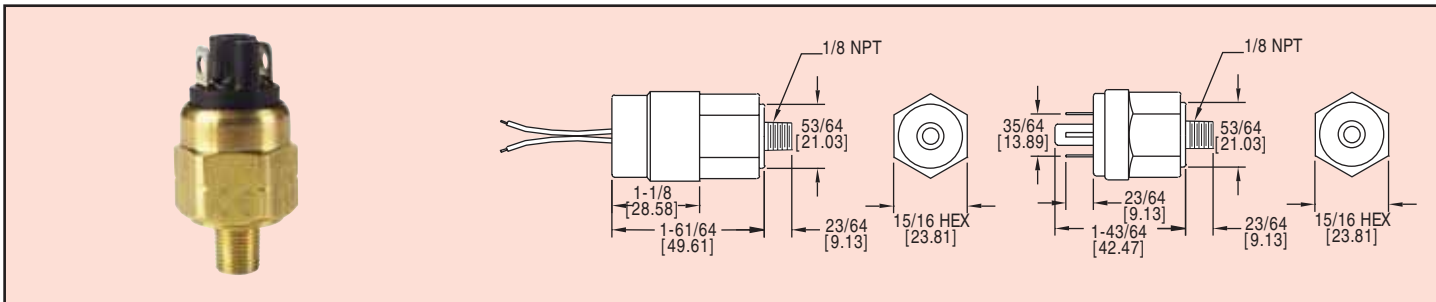
Model	Range
1996-5	1.4" - 5.5" w.c.
1996-20	4" - 20" w.c.



Series A2

# Subminiature Pressure Switch

Designed for OEM Use, Field Adjustable, Submersible Models Available



**Designed for OEM applications**, the Series A2 is economical and is equipped with high proof pressure capabilities for demanding applications. The A2 is available with either spade terminals or flying leads (submersible). Switches with spade terminals can be easily adjusted in the field.

## SPECIFICATIONS

**Service:** Compatible liquids and gases.  
**Wetted Materials:** Kapton® Polyimide film and brass.  
**Temperature Limits:** -40 to 250°F (-40 to 121°C).  
**Pressure Limits:** 500 psi (34 bar).  
**Enclosure Rating:** IP68 (Submersible models only).

**Repeatability:** ±5% of highest set point.  
**Switch Type:** SPST, 100VA, 42V.  
**Electrical Connection:** 1/4" (6.3 mm). (6.3 mm) Spade terminals or flying leads.  
**Process Connection:** 1/8" male NPT.  
**Weight:** 0.14 lb (0.06 kg).  
**Deadband:** 1-2 psi (.14 bar).  
**Agency Approvals:** CE.

## MODELS

Model Number	Range psi (bar)	Electrical Connection	NO/NC	Model Number	Range psi(bar)	Electrical Connection	NO/NC
A2-2801	5-25 (.48-1.72)	Spade Terminals	NO	A2-3801	20-60 (1.4-4.1)	Spade Terminals	NO
A2-28032*	5-25 (.48-1.72)	Flying Leads (Submersible)	NO	A2-38032*	20-60 (1.4-4.1)	Flying Leads (Submersible)	NO
A2-2811	5-25 (.48-1.72)	Spade Terminals	NC	A2-3811	20-60 (1.4-4.1)	Spade Terminals	NC
A2-28132*	5-25 (.48-1.72)	Flying Leads (Submersible)	NC	A2-38132*	20-60 (1.4-4.1)	Flying Leads (Submersible)	NC
				A2-4801	50-150 (3.5-10.3)	Spade Terminals	NO
				A2-48032*	50-150 (3.5-10.3)	Flying Leads (Submersible)	NO
				A2-4811	50-150 (3.5-10.3)	Spade Terminals	NC
				A2-48132*	50-150 (3.5-10.3)	Flying Leads (Submersible)	NC

\* Submersible models are not field adjustable. Set point must be given at time of order. Kapton® is a registered trademark of E.I. DuPont de Nemours & Company.