



Series 43000

Capsu-Photohelic® Pressure Switch/Gages

Lo-Limit and Hi-Limit Control, Aluminum or Brass Case Available

Set points are instantly adjusted with front knobs.

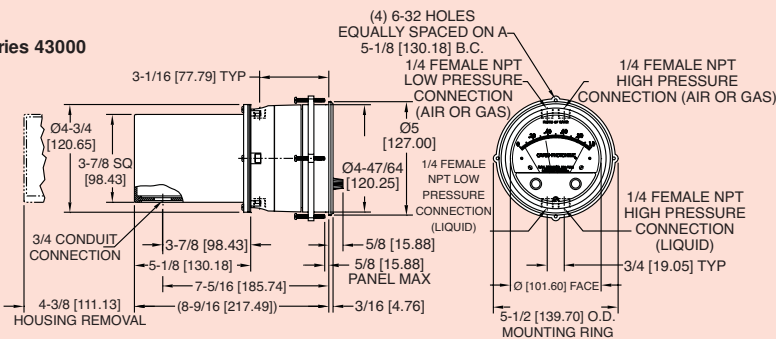


Series 43000 Capsu-Photohelic® Switch/Gage.

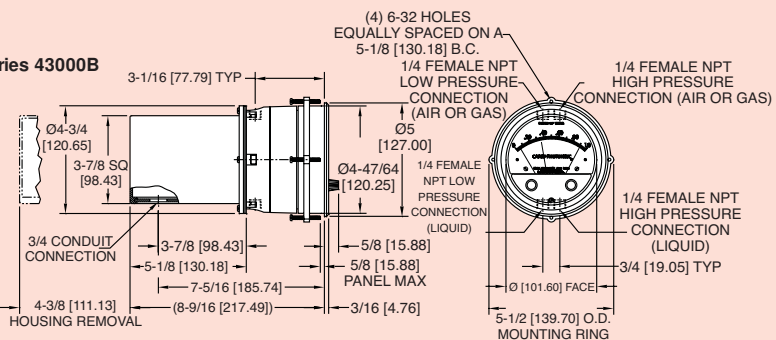


Series 43000 Capsu-Photohelic® Switch/Gage with Brass Body

Series 43000



Series 43000B



Capsu-Photohelic® Switch/Gages function as versatile, highly repeatable pressure switches combined with a precise pressure gage employing the time-proven Magnehelic® gage design. The Capsu-Photohelic® gage employs an encapsulated sensing element for use with both liquids and gases at pressures to 500 psig (34 bar). Optional cast brass case is available for water or water based liquids. Two phototransistor actuated, DPDT relays are included for low/high limit control. Easy to adjust setpoint indicators are controlled by knobs located on the gage face. Individual setpoint deadband is one pointer width – less than 1% of full scale. Setpoints can be interlocked to provide variable deadband – ideal for control of pumps, etc.

ACCESSORY

A-298 Flat Aluminum Bracket for Flush Mounting

SPECIFICATIONS

GAGE SPECIFICATIONS

Service: Compatible gases and liquids. Brass case option required for water based liquids.
Wetted Materials: Consult factory.
Accuracy: ±3% of full scale at 70°F (21.1°C). ±2% on 43000S models; ±4% on 43215, 43220 and 43500.
Pressure Limits: -20 Hg to 500 psig (-0.677 to 34.5 bar).
Temperature Limits: 20 to 120°F (-6.67 to 48.9°C) Low temperature option available.
Process Connections: 1/4" female NPT.
Size: 4" (101.6 mm) dial face, 5" (127 mm) O.D. x 9-3/16" (233.36 mm).
Weight: 5 lb, 8 oz (2.49 kg). Brass 11 lb, 2 oz (5.05 kg).

SWITCH SPECIFICATIONS

Switch Type: Each setpoint has 2 Form C relays (DPDT).
Repeatability: ±1% of full scale.
Electrical Rating: 10A @ 120 VAC, 6A @ 240 VAC, 60 Hz res. 10A @ 28 VDC.
Electrical Connections: Screw Terminals.
Power Requirements: 120 VAC, 50/60 Hz; 240 VAC & 24 VAC power optional.
Mounting Orientation: Diaphragm in vertical position. Consult factory for other position orientations.
Set Point Adjustment: Adjustable knobs on face.

MODELS

Model Number	Range, in. w.c.	Model Number	Range, in. w.c.	Model Number	Range, psi
43000-0	0-5	43060	0-60	43201	0-1
43001	0-1.0	43080	0-80	43202	0-2
43002	0-2.0	43100	0-100	43203	0-3
43003	0-3.0	43150	0-150	43204	0-4
43004	0-4.0	43200	0-200	43205	0-5
43005	0-5.0	43300	0-300	43210	0-10
43006	0-6.0	43400	0-400	43215	0-15
43008	0-8.0	43500	0-500	43220	0-20
43010	0-10	43302	1-0-1	43230S	0-30
43015	0-15	43304	2-0-2	43240S	0-40
43020	0-20	43310	5-0-5	43260S	0-60
43025	0-25	43320	10-0-10	43280S	0-80
43030	0-30	43330	15-0-15	432100S	0-100
43040	0-40			432200S	0-200
43050	0-50			432300S	0-300

OPTIONS

Single Contact, right set point, for actuation on increasing or decreasing pressure.
Power Supply, 24 VAC or 220 VAC powered relay pack.
Remote-Mounted Relay, relay pack may be mounted remotely from gage. Specify cable length required.
Tamper-proof Knobs, low temperature option, special scales, voltages and other features and modifications are available.
Special Housings available include Weatherproof (NEMA 4) and Explosion-proof (NEMA 7 CD, 9 EFG; NEC Class I, DIV. 1 & 2, Groups C, D, Class II, Div. 1 & 2, Groups E, F, G, Class III. Contact Customer Service for detailed dimension drawings.
Brass Body, for water based liquids order optional brass case by adding "B" to the end of the model number.
 Example: 43001B