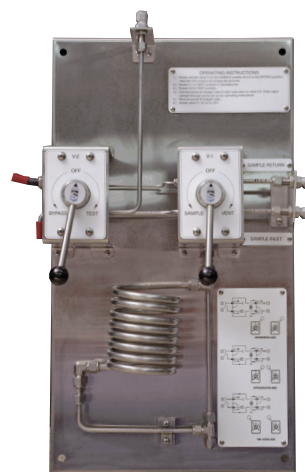




*The
Sampling
Connection*



MODEL MGC GAS CONCENTRATION SAMPLING SYSTEM

Safe and Representative Sampling of Toxic Gases Such as H₂S

Features

- Designed to minimize fugitive toxic gas emissions, reducing exposure risk to the environment and operator
- Used in conjunction with hand-held gas measurement systems such as Dräger-Tubes and RAE gas detection tubes (Dräger Safety and RAE Systems' products are not sold by Sentry)
- Provides a representative sample at constant atmospheric pressure as required during the testing cycle

Options

- Enclosures
- Heaters
- Galvanized steel pipe stand

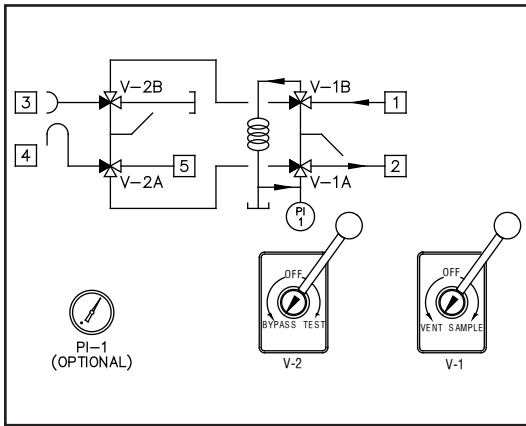
Description

Sampling hazardous or toxic chemicals requires that the sample be representative, obtained without risk to personnel, and extracted without leakage to the environment. The Sentry Gas Concentration sampling system allows the operator to extract a representative sample and use hand-held devices to test concentrations (such as Dräger and RAE gas detection tubes), while protecting the operator and environment from contact with the dangerous vapors.

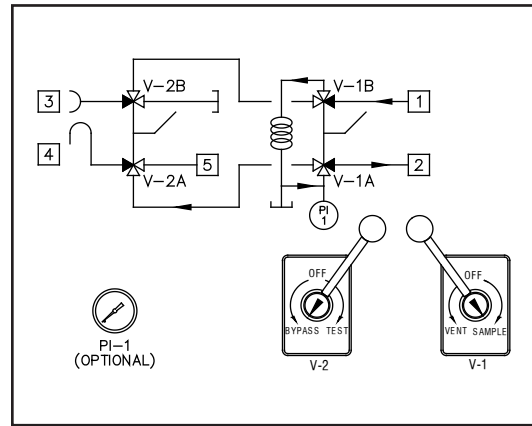
The Gas Concentration sample panel collects a volume of sample gas and reduces its pressure to atmospheric pressure. Then, a measurement system (such as Dräger or RAE) is used to measure gas concentration. The gas detection tubes require that the gas remain at atmospheric pressure throughout the testing cycle, and the Sentry Gas Concentration sampling system maintains constant pressure of the collected sample throughout the sample extraction process.

The Gas Concentration sampling system utilizes tandem 3-way valve switching assemblies allowing the sampler to be flushed or purged to remove old material, and providing a contemporary, representative sample.

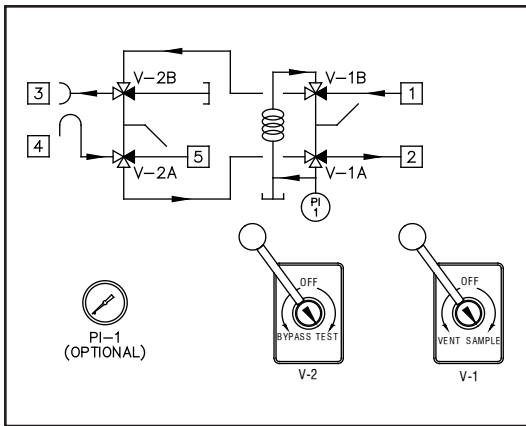
MGC TECHNICAL DATA



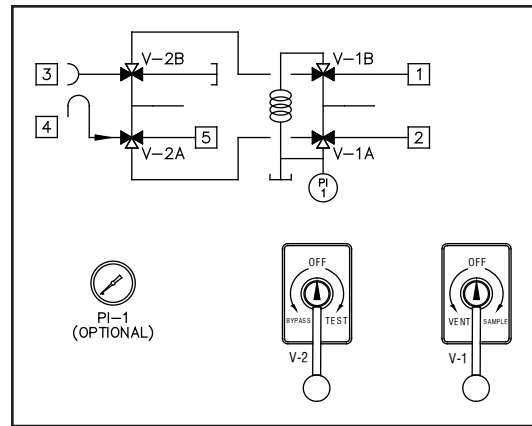
1 - CONTEMPORIZING MODE



2 - DEPRESSURIZATION MODE



3 - TUBE TEST MODE



4 - OFF MODE

The sample panel is provided with a vent connection. For satisfactory operation, this vent must be connected to atmospheric conditions. This is important for accurate measurement of gas concentrations with devices that utilize standard volumes of gas for their analysis.

TYPICAL APPLICATIONS

Acetone	Hydrazine	Pentane
Ammonia	Hydrogen Sulfide (H ₂ S)	Petroleum Hydrocarbons
Benzene	Mercaptan	(n-Octane)
Carbon Dioxide (CO ₂)	Mercury Vapor	Sulphur Dioxide
Carbon Monoxide (CO)	Natural Gas	Toluene
Carbon Tetrachloride	Nitrous Fumes	Trichloroethane
Chlorine	Oil Mist	Trichloroethylene
Cyanide	Oxygen	Water Vapor
Hexane	Ozone	And many more

⚠ WARNING

It is solely the responsibility of the end-user, through its own analysis and testing, to select products and materials suitable for their specific application requirements, ensure they are properly installed, safely applied, properly maintained, and limit their use to their intended purpose. Improper selection, installation, or use may result in personal injury or property damage.



SENTRY EQUIPMENT CORP

PO Box 127
Oconomowoc, WI 53066 USA
Phone: 262-567-7256
Fax: 262-567-4523

E-mail:
sales@sentry-equip.com

Website:
www.sentry-equip.com

For further information, contact:

The Sampling Connection