

Anti-corrosion pressure gauge Model: P870 series

Spec. sheet no. PD08-07

Service intended

P870 series provide a superior chemical resistant and non-viscous pressure gauge which employs fluorine resin for the wetted parts. It can be used with highly corrosive fluids. The case material is PP resin and resistance to corrosive environments.

Nominal diameter

50 mm

Accuracy

±1.5 % of full scale (Only available with 0.6 and 1 MPa)
±2.0 % of full scale

Scale range (MPa, kPa, bar)

0 ~ 0.1 MPa to 0 ~ 1 MPa

Working pressure

Steady pressure : 75 % of full scale

Working temperature limits

Ambient : 10 ~ 30 °C

Fluid

Max. 150 °C

Degree of protection

For using indoor

Temperature effect

Accuracy at temperature above and below the reference temperature (20 °C) will be effected by approximately ±0.8 % per 10 °C of full scale



Standard features

Pressure connection

Fluorine resin (PTFE, PFA)

Element

Bellows : Fluorine resin (PFA)

Case and cover

PP resin

Window

Screw type PET resin

Movement

Brass

Dial

White aluminium with black graduations

Pointer

Black painted aluminium alloy

Process connection

3/8" PT, PF, tube (please consult about other connection)

Treatment

Assembly and adjustment : Clean room (Class 10,000)

Leak test : N₂ gas leak test

Treatment : Use no oil and water

Packing : after N₂ gas flushing, clean polyethylene hermetical sealed packaging

Main order

Ordering information

1. Base model

P870 Anti-corrosion pressure gauge

2. Nominal diameter

1 50 mm

3. Type of mounting

A Bottom connection, direct

4. Accuracy

4 ±1.5 % of full scale (Only available with 0.6 and 1 MPa)

5 ±2.0 % of full scale

5. Connection type

D3 PF 3/8"

D8 PT 3/8"

TA Tube 1/4" x 5/32"

TB Tube 3/8" x 1/4"

TC Tube 1/2" x 3/8"

TN Tube 6 mm x 4 mm

TM Tube 8 mm x 6 mm

EE 1/2" UNF

6. Unit

H bar

I MPa

J kPa

7. Range

XXX Refer to pressure range table

8. Dial color

3 2 colors

9. Option

0 None

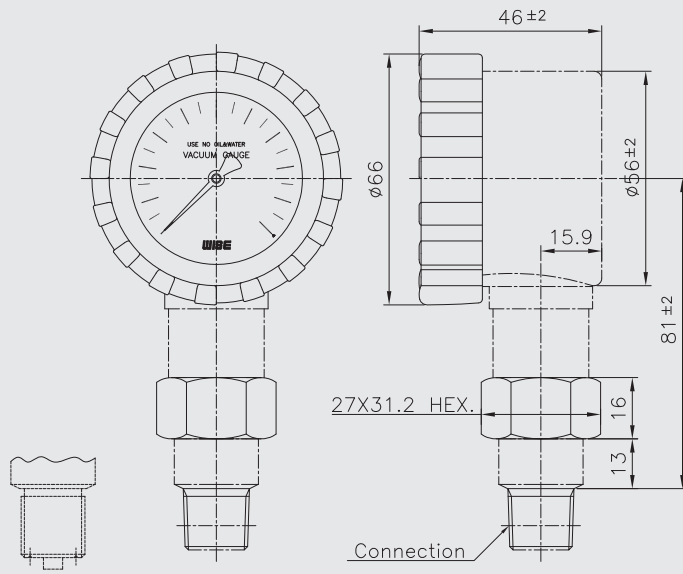
1 Accessories

Sample rdering code

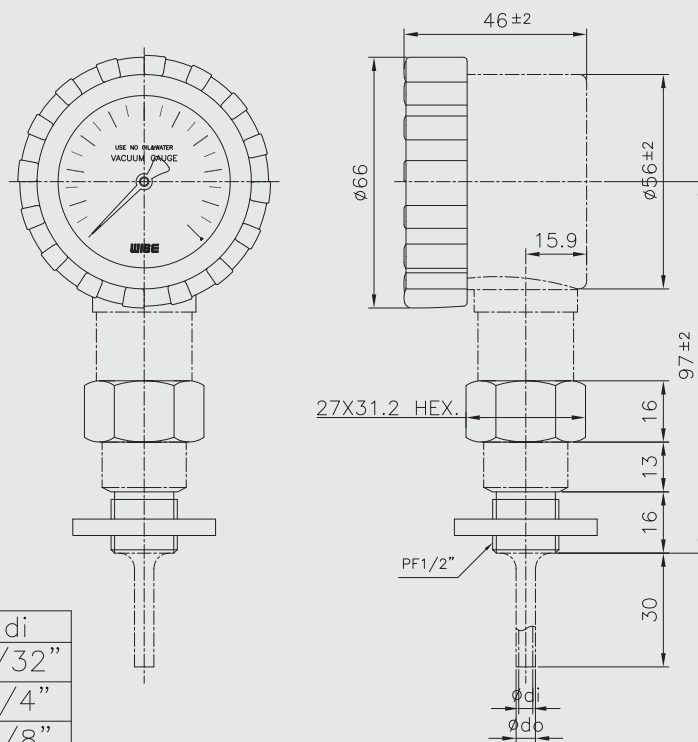
1	2	3	4	5	6	7	8
P870	1	A	4	D8	XXX	4	0

P870 : Type of mounting

Code : D



Code : T



Code NO.	do	di
TA	1/4"	5/32"
TB	3/8"	1/4"
TC	1/2"	3/8"
TN	6	4
TM	8	6

Pressure unit and range table

Range and code	Unit and code			
	H : bar	I : MPa	J : kPa	Accuracy
026	-1 ~ 0	-0.1 ~ 0	-100 ~ 0	2.0 %
041	0 ~ 1	0 ~ 0.1	0 ~ 100	
042	0 ~ 2	0 ~ 0.2	0 ~ 200	
044	0 ~ 4	0 ~ 0.4	0 ~ 400	
045	0 ~ 6	0 ~ 0.6	0 ~ 600	1.5 %
047	0 ~ 10	0 ~ 1	0 ~ 1,000	