

# Catalogo valvole ad angolo Covna



## Valvola ad angolo in ottone

### HK17 Series Thread pneumatic angle seat valve

#### Standard technical parameters

Body material: Brass, 304, 316, 316L

Spool material: Brass, 304, 316, 316L

Seat material: PTFE, F46

Applicable temperature: PTFE: -30°C ~ 180°C

F46: -30°C ~ 220°C Actuator must be used s  
tainless steel material

Ambient temp.: -30°C ~ 80°C

Nominal pressure: 1.6Mpa

Connection type: Thread DN10-DN80

Flange: DN15-DN100

Clamp: DN15-DN80

Welding: DN15-DN80

Design standards: GB, ANSI, DIN, ISO

Control type: Single acting, air to open type

Single acting, air to close type

Double acting

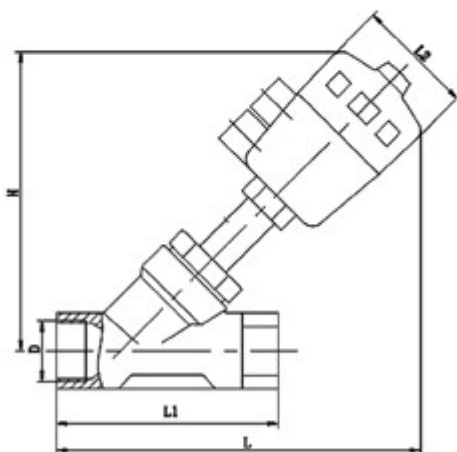
Actuator material: Polyamide PA, stainless steel

Optional accessory: Solenoid valve, limit switch box, positioner, etc.

**COVNA®**  
— VALVE —



Size	Inch	Inner diameter	Kv Value	The max. pressure differential	Air supply	The cylinder bore	Flow direction
DN10	3/8"	10	3.7	0-16bar	4-7bar	50	Steam, gas, Flow above seat
DN15	1/2"	15	4.2			50	
DN20	3/4"	20	8.0			50	
DN25	1"	25	19.0			63	
DN32	1-1/4"	32	27.5			63	
DN40	1-1/2"	40	42.0			63	Liquids, gas Water hammer-free Flow below seat
DN50	2"	50	55.0			80	
DN65	2-1/2"	65	90			100	
DN80	3"	80				100	
DN100	4"	100				125	



Thread connection size drawing

#### Type specification table:

Size	Inch	Thread type					Weight
		L	L1	D	H	L2	
DN10	3/8"	135	65	G3/8	110	53	0.8
DN15	1/2"	173	85	G1/2	137	64	1.0
DN20	3/4"	178	95	G3/4	145	64	1.1
DN25	1"	210	105	G1	185	80	1.45
DN32	1-1/4"	220	120	G1-1/4	185	80	2.55
DN40	1-1/2"	228	130	G1-1/2	185	80	4.5
DN50	2"	268	150	G2	215	100	6.3
DN65	2-1/2"	282	185	G2-1/2	300	126	13.5
DN80	3"	368	220	G3	340	126	

# Valvole ad angolo in acciaio

## HK17 Series Thread pneumatic angle seat valve

### Standard technical parameters

Body material: 304, 316, 316L

Spool material: 304, 316, 316L

Seat material: PTFE, F46

Applicable temperature: PTFE: -30°C~180°C

F46: -30°C~220°C Actuator must be used s  
tainless steel material

Ambient temp.: -30°C~80°C

Nominal pressure: 1.6Mpa

Connection type: Thread DN10-DN80

Flange: DN15-DN100

Clamp: DN15-DN80

Welding: DN15-DN80

Design standards: GB, ANSI, DIN, ISO

Control type: Single acting, air to open type

Single acting, air to close type

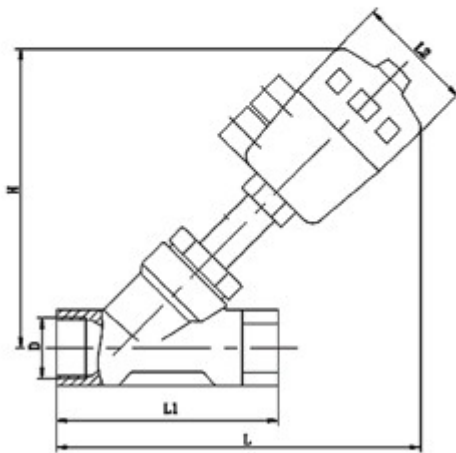
Double acting

Actuator material: Polyamide PA, stainless steel

Optional accessory: Solenoid valve, limit switch box, positioner, etc.



Size	Inch	inner diameter	Kv Value	The max. pressure differential	Air supply	The cylinder bore	Flow direction
DN10	3/8"	10	3.7	0-16bar	4-7bar	50	Steam, gas, Flow above seat
DN15	1/2"	15	4.2			50	
DN20	3/4"	20	8.0			50	
DN25	1"	25	19.0			63	Liquids, gas Water hammer-free Flow below seat
DN32	1-1/4"	32	27.5			63	
DN40	1-1/2"	40	42.0			63	
DN50	2"	50	55.0			80	
DN65	2-1/2"	65	90			100	100
DN80	3"	80				100	
DN100	4"	100				125	



Thread connection size drawing

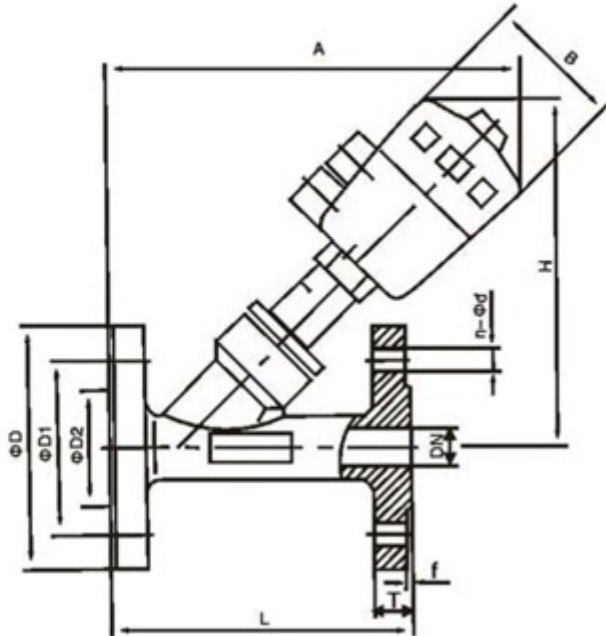
### Type specification table:

Size	Inch	Thread type					Weight
		L	L1	D	H	L2	
DN10	3/8"	135	65	G3/8	110	53	0.8
DN15	1/2"	173	85	G1/2	137	64	1.0
DN20	3/4"	178	95	G3/4	145	64	1.1
DN25	1"	210	105	G1	185	80	1.45
DN32	1-1/4"	220	120	G1-1/4	185	80	2.55
DN40	1-1/2"	228	130	G1-1/2	185	80	4.5
DN50	2"	268	150	G2	215	100	6.3
DN65	2-1/2"	282	185	G2-1/2	300	126	13.5
DN80	3"	368	220	G3	340	126	

# Valvole ad angolo in acciaio inox flangiatae HK 17 F



Dongguan Covna Automation Industry Co.,Ltd. HK17F Flange pneumatic



DN	L	T	f	eD	D1	D2	H	A	B	n-ød	执行器 Actuator
DN15	120	14	2	95	65	40	137	180	64	4~14	ø50
DN20	130	14	2	105	75	50	145	185	64	4~14	ø50
DN25	140	14	2	115	85	60	173	210	80	4~14	ø63
DN32	150	16	2	135	100	70	210	240	80	4~18	ø63
DN40	180	16	2	145	110	80	260	245	80	4~18	ø63
DN50	195	16	2	160	125	92	300	295	100	4~18	ø80
DN65	230	18	2	185	145	115	315	320	126	4~18	ø100
DN80	250	18	2	195	160	130	330	330	126	4~18	ø100
DN100	280	18	2	215	180	150	350	360	156	4~18	ø125

## 参数Data

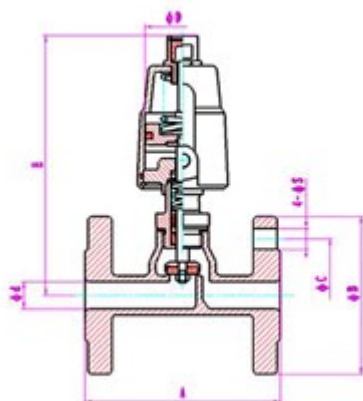
接口[英寸] Interface	内孔[mm] Inner Bored	KV值[m3/h]	最大工作压力 [bar]Max working pressure	要求最小控制压力 [bar]Min Control Pressure	执行机构尺寸 [ø mm]Actuator	流向 Flow direction	控制功能 Control way
G3/8	10.0	3.7	0-16	4.0	50	阀座上方 Above the seat	
G1/2	15.0	4.2	0-16	2.7	50		
G3/4	20.0	8.0	0-16	2.7	50		
G1	25.0	19.0	0-16	2.0	63		
G1 1/4	32.0	27.5	0-16	2.0	63		
G1 1/2	40.0	42.0	0-16	2.0	63		
G2	50.0	52.0	0-16	2.0	80		
G2 1/2	65.0	77.0	0-14	1.6	100		



## Valvola dritta pneumatica tutta inox flangiata HK-17C-F

### HK-17C-F Pneumatic Angle Seat Valve

Operation		Normally Closed
		Normally Open
Specification	Model type	HK-17C-F
Fluid Temperature		≤ 200°C
Applicable Fluid		water, alcohol, oil, fuel, steam, neutral gas or liquid, organic solvent, acid and lye
Orifice (mm)		20 25 32 40 50 65 80 100
Fluid Pressure (MPa)		0-1.6
Control Pressure (MPa)		0.3-0.8
Material	Body	Stainless Steel
	Element	Stainless Steel
	Actuator	Stainless Steel
	Seal	PTFE
Environment Temperature		-20-60°C
Connection		Female thread, weld, flange
Control Type	Single acting	Match 3/2-ways solenoid valve
	Double acting	Match 5/2-ways solenoid valve
Install		Install According to the needed
Options		solenoid valve, smart positioner, limit switch, stroke limitation, manual override



	SIZE						
	D	d	K	A	B	C	S
DN15	50	13	171	120	95	65	14
DN20	50	18	173	130	105	75	14
DN25	50	24	188	125	115	85	12
DN25	63	24	218	125	115	85	12
DN32	63	31	234	150	140	100	13
DN32	80	31	249	150	140	100	13
DN40	63	35	237	165	150	110	14
DN40	80	35	252	165	150	110	14
DN50	63	45	254	190	165	125	14
DN50	80	45	272	190	165	125	14

## Versioni speciali

### Attuatore dritto HK17C



### Compatta inox HK17M1



## Diramazione HK-17M2



## Sanitaria HK-17C



## Tutta inox flangiata HK17C-F



## Gemellari o di distribuzione HK-17K

**HK-17K**  
*Series angle Seat Valve*

**COVNA**<sup>®</sup>  
PNEUMATIC COMPONENTS

**Conjoined twin valve**

**Advantages**

- Body is connected with 3ways,
- Arrange trimly, small and exquisite, steady performance
- Fluid mixed, control, connected easily.