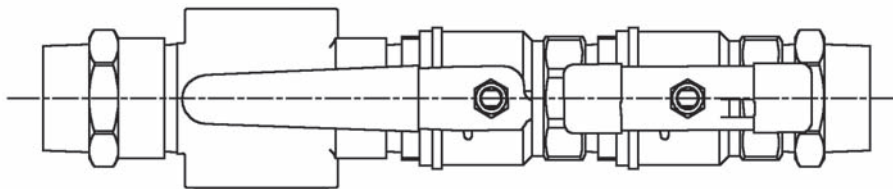
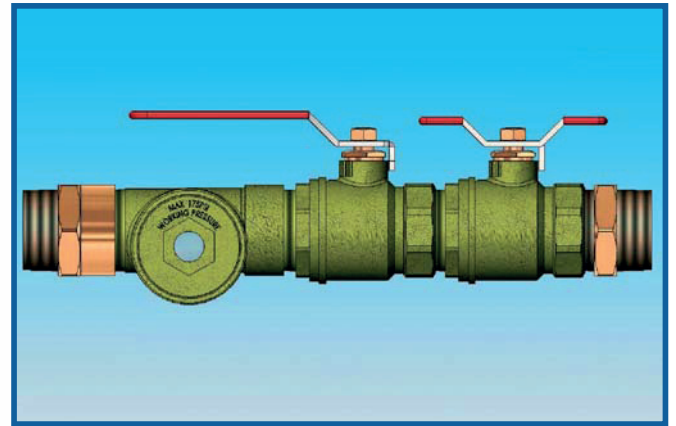
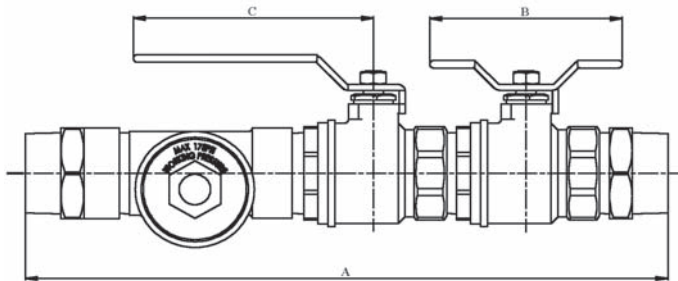




Test & Drain Valve c/w Sight Glass & Stop Valve

FM approved and UL Listed (Sizes 25mm and 32mm)



Description

The test and drain valve is a combined two position lever operated ball valve, sight glass and stop valve. They incorporate a nominal bore drain valve and K80 (5.6) test valve. The assemblies are supplied as standard with NPT to BSPT thread adaptors.

Pressure Rating

Working Pressure: 12 Bar

Dimensions

Size	A (mm) BSPT	A (mm) NPT	B (mm)	C (mm)
25 mm	320	260	110	120
32 mm	335	270	110	120
50 mm	455	375	135	155

Material Specification

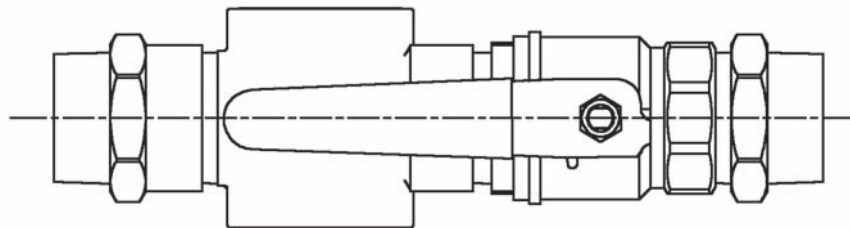
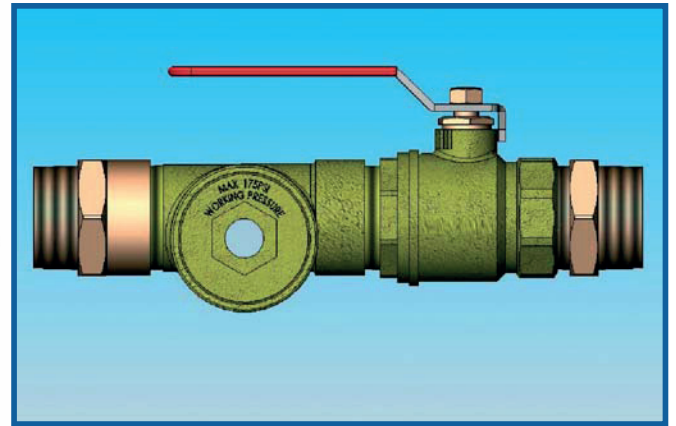
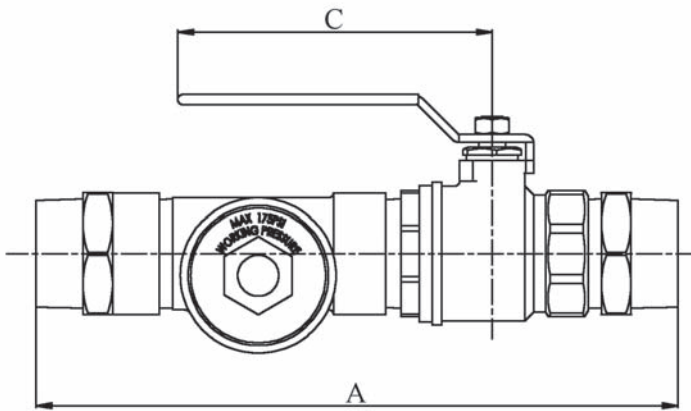
Cast Brass

Continued Overleaf
Page 1 of 2



Test & Drain Valve c/w Sight Glass

FM approved and UL Listed (Sizes 25mm and 32mm)



Description

The test and drain valve is a combined two position lever operated ball valve with sight glass. They incorporate a nominal bore drain valve and K80 (5.6) test valve. The assemblies are supplied as standard with NPT to BSPT thread adaptors.

Pressure Rating

Working Pressure: 12 Bar

Dimensions

Size	A (mm) BSPT	A (mm) NPT	C (mm)
25 mm	240	180	120
32 mm	255	190	120
50 mm	345	265	155

Material Specification

Cast Brass