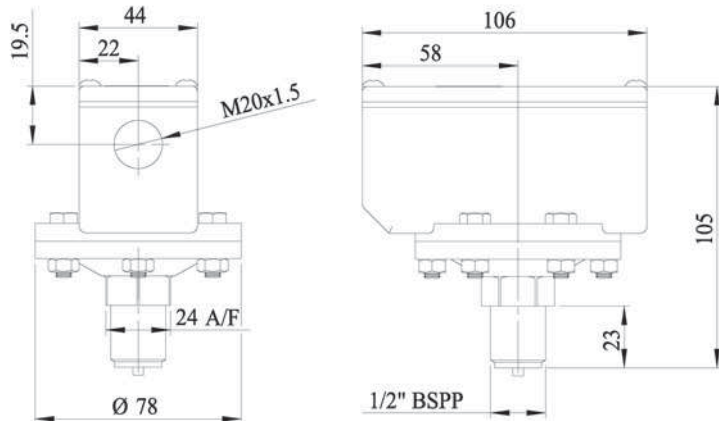


Pressure Switch

LPCB, CE marked to EN 60730-1 (low voltage directive)



Description

Type 1381 and 1381V pressure switches are used for monitoring pressure to sound an alarm, operate a warning light or cut off an electrical supply as soon as the pressure rises to the set point. Each unit contains one double pole 250 volt, 5 amp switch (common, normally open and normally closed connections) activated by a diaphragm. 'Standard Pressure Switch Wiring Instructions' data sheet supplied with each unit.

Pressure & Temperature

Pressure Range - 0.7 to 14 Bar

Temperature Range -10°C to +85°C

Material Specifications

Type 1381 (Non Variable)	Factory set @ 0.8 Bar rising, resets @ 0.4 Bar.
Type 1381V (Variable)	Factory set @ 5 Bar rising, resets @ 0.4 Bar.
Accuracy	+/- 2% of range
Enclosure	IP65
Weight	0.9 Kg
Diaphragm	Beryllium Copper
Seal	Glass Filled PTFE
Base / Connection	Brass
Housing	Aluminium / Zinc diecast
Cover	Glass filled nylon with nitrile seal