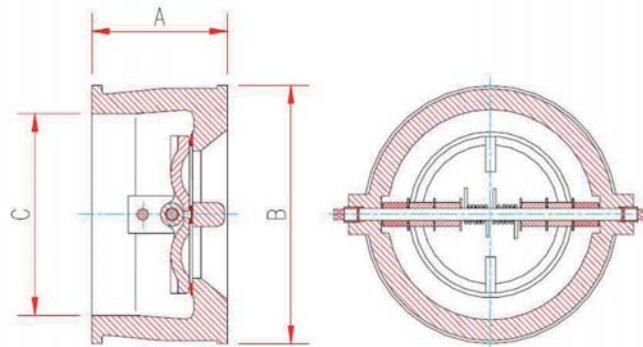


CVDDW175 Double Door Check Valve

UL Listed



Pressure

Nominal Pressure	12 Bar
Hydraulic Shell Test Pressure	24 Bar
Hydraulic Seat Test Pressure	24 Bar

Dimensions

Size	100 mm	150 mm	200 mm	250 mm	300 mm
A	93	105	121	154	187
B	172	220	280	340	410
C	136	178	230	285	338

Material Specification

Component	Material
Body	Cast Iron AST A126 Class B
Stop Pin	Stainless Steel AISI 416
Hinge Pin	Stainless Steel AISI 416
Seat	EPDM
Pin Retainer	Stainless Steel AISI 416
Gasket	PTFE
Washer	PTFE
Spacer	PTFE
Disc	Stainless Steel ASTM CF8
Spring	Stainless Steel AISI 304
Lifting Hook	Carbon Steel (Not shown, only for 200, 250 & 300 mm)

Note

1. Design and dimensions conform to UL.
2. Flange to ANSI B16.1 Class 125.
3. Stainless steel disc and spring for excellent corrosion resistance.

Rapidrop Global