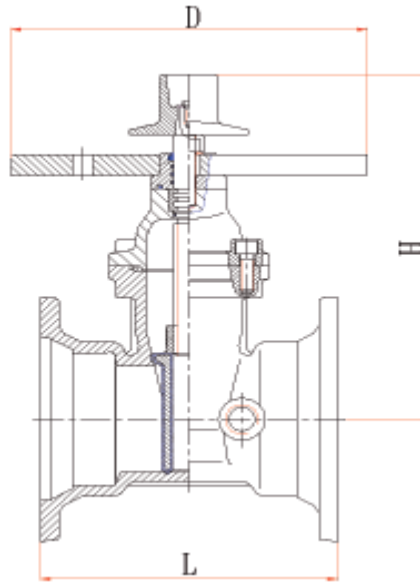


## PIV300MJ Non Rising Stem Resilient Wedge Gate Valve

UL Listed / FM Approved  
Mechanical Joint x Mechanical Joint



### Valve Standard

Comply with AWWA C515

### Pressure & Rating

Working Pressure: 20.7 Bar  
Temperature: -10 °C to 120 °C

Mechanical-Joint Dimension: Comply to ANSI / AWWA C153 / A21.53.

Fusion Bonded Epoxy Coated Interior and Exterior

### Dimensions

Size	100 mm	150 mm	200 mm	250 mm	300 mm
L	254	292	318	375	378
H	305	417	525	621	711
D	305	305	305	305	305

### Material Specifications

Item	Material	ASTM Spec
NPT Plug	Brass	B16, C36000
Post Plate	Ductile Iron	A536 65-45-12
Wrench Nut	Ductile Iron	A536 65-45-12
Gland	Ductile Iron	A536 65-45-12
Thrust Collar	Bronze	ASTM B62
Bonnet	Ductile Iron	A536 65-45-12
Gasket	EPDM	Commercial
Stem	Stainless Steel	AISI 420
Disc Nut	Bronze	ASTM B62
Wedge Disc	Ductile Iron with EPDM Coated	
Body	Ductile Iron	A536 65-45-12