

Model WL-P series

Wireless Pressure Transmitter
WSN(Wireless sensor network),GPRS

Materontek
Sensing and Internet of Things

Description

WL-P is Wireless Pressure transmitter with wireless communication function. It uses isolated stainless steel piezo-resistive pressure sensor as sensing element, specific IC for temperature compensation of zero and FS thermal error, battery for exciting. Wireless signal transmission conforms to WSN (Wireless sensor network) & GPRS internet protocol. Multiple WL can make up of WSN & GPRS internet system. It can be used for monitoring the actual data in a large scale, such as gas tank water seal detection, oil tank detection and industrial automation control detection etc. It is mainly applied in fields like petroleum, coal, tap water and automation control etc.

Features

- Measuring ranges from 100mbar to 1000bar
- Long life for battery,
- LCD display,
- Wireless output signal
- High accuracy, quick response
- High sampling frequency, anti-interference
- Low power consumption of the system
- Key operation, setting on the worksite
- Shock-proof, moisture-proof

Application

- Hydraulic and pneumatic
- Machine building
- Pumps
- Water treatment
- IoT pressure measurement



Technical data

Performance

| | | |
|-------------------------------|--------------------------------------|--|
| Accuracy* | 0.25%FS@25°C(Min.) 0.5%FS@25°C(Typ.) | *Linearity (best straight line) + Hysteresis + |
| Operating Temperature | -20 to 85°C | |
| Compensated Temperature Range | -10 to 70°C | |
| Long Term Stability | 0.2 %FS | |

Electrical @25°C

| | |
|----------------------------|-----------------------------------|
| Output signal / Supply | WSN(Wireless sensor network),GPRS |
| RF Frequency | 430 MHz/470 MHz |
| Power supply | 3.6V battery or 12/24VDC |
| Maximum range in open area | 1km (max.) |
| Transmit power | 20dbm(Adjustable) |
| Transmit interval | 1s-255s (User definable) |

Physical Specifications

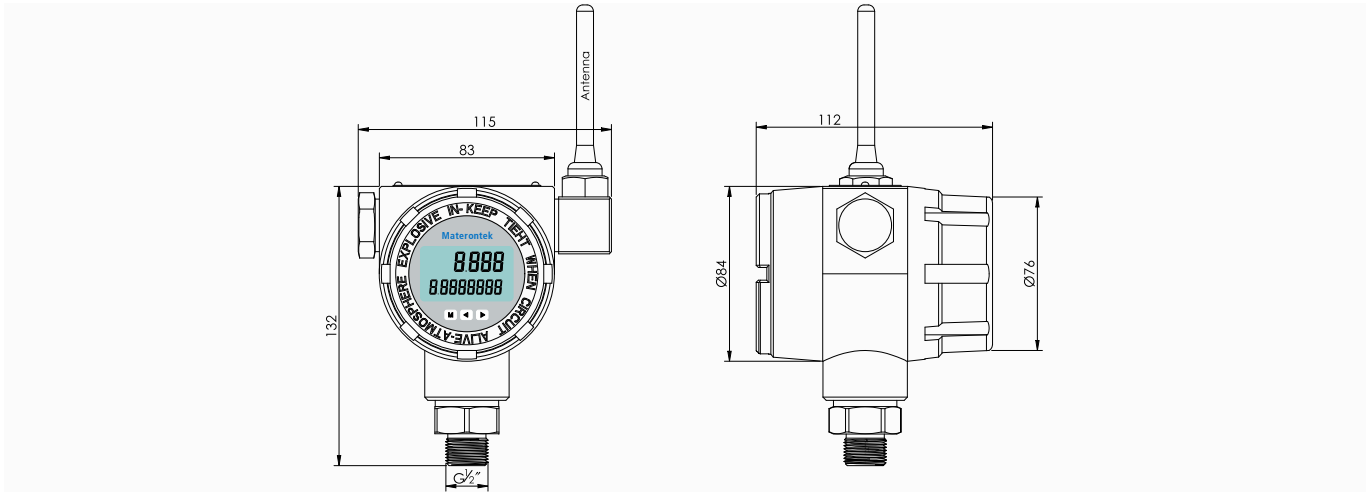
| | |
|-------------|----------------------|
| Housing | Aluminum |
| Diaphragm | 316L stainless steel |
| Sealing | NBR or Viton O-ring |
| Oil Filling | Silicone oil |
| Protection | IP67 |
| Weight | ~1kg(without cable) |

The listed specifications and dimensions are subject to change without prior notice

Model WL-P series

Wireless Pressure Transmitter
WSN(Wireless sensor network),GPRS

Dimensions (All dimensions in mm)



Ordering code

| | | |
|--------------------------|----------|--|
| Model | WL | |
| Type of measurement | P | Pressure measurement |
| Type of communication | W | WSN(Wireless sensor network) |
| | G | GPRS communication |
| Measuring range | [0~x]bar | -1~0,...,0.1,...,1000bar |
| Pressure type | G | Gauge pressure |
| | A | Absolute pressure |
| Process/Material | G1 | Thread G1/2" |
| | G2 | Thread G1/4" |
| | G3 | Thread 1/2"NPT |
| | G4 | Thread 1/4"NPT |
| | G5 | Thread M20x1.5 |
| | G6 | Thread PT1/4" |
| | G7 | Thread PT1/2" |
| | C8 | Clamp 1.5" |
| | C9 | Clamp 2" |
| | F1 | Flange DN50,DN80,DN100,...,DN250/304SS |
| | Fx | Special design |
| Housing/Protection Level | A | Aluminum/IP67 |
| Cable Entry | M | M20x1.5 |
| | N | ½NPT |
| Power | B | 3.6V battery |
| | C | 12VDC |
| | D | 24VDC |
| | S | solar panel |
| Approval | P | Standard (Non explosion proof) |
| | I | Intrinsically Safe (Ex ia IIC T6) |
| | D | Flameproof Approval (Ex d IIC T6) |

Order Note

1. Please pay attention that the media should be compatible with contacting material;
2. If the user has special requirement, please feel free to contact our company.