

Model WL-DP series

Wireless Differential Pressure Transmitter
WSN(Wireless sensor network),GPRS



Description

WL-DP is Wireless Differential pressure transmitter with wireless communication function. It uses isolated stainless steel differential pressure sensor as sensing element, specific IC for temperature compensation of zero and FS thermal error, battery for exciting. Wireless signal transmission conforms to WSN (Wireless sensor network) & GPRS internet protocol. Multiple WL can make up of WSN & GPRS internet system. It can be used for monitoring the actual data in a large scale, such as gas tank water seal detection, oil tank detection and industrial automation control detection etc. It is mainly applied in fields like petroleum, coal, tap water and automation control etc.

Features

- Measuring ranges from 10mbar to 40bar
- Long life for battery,
- LCD display,
- Wireless output signal
- High accuracy, quick response
- High sampling frequency, anti-interference
- Low power consumption of the system
- Key operation, setting on the worksite
- Shock-proof, moisture-proof

Application

- Hydraulic and pneumatic
- Machine building
- Pumps
- Water treatment
- IoT pressure measurement



Technical data

Performance

Accuracy*	0.25%FS@25°C(Min.) 0.5%FS@25°C(Typ.)	*Linearity (best straight line) + Hysteresis + Repeatability
Operating Temperature	-20 to 85°C	
Compensated Temperature Range	-10 to 70°C	
Long Term Stability	0.2 %FS	
Static pressure	200bar(max.)	

Electrical @25°C

Output signal / Supply	WSN(Wireless sensor network),GPRS	
RF Frequency	430 MHz/470 MHz	
Power supply	3.6V battery or 12/24VDC	
Maximum range in open area	1km (max.)	
Transmit power	20dbm(Adjustable)	
Transmit interval	1s-255s (User definable)	

Physical Specifications

Housing	Aluminum	
Diaphragm	316L stainless steel	
Sealing	NBR or Viton O-ring	
Oil Filling	Silicone oil	
Protection	IP67	
Weight	~1.2kg(without cable)	

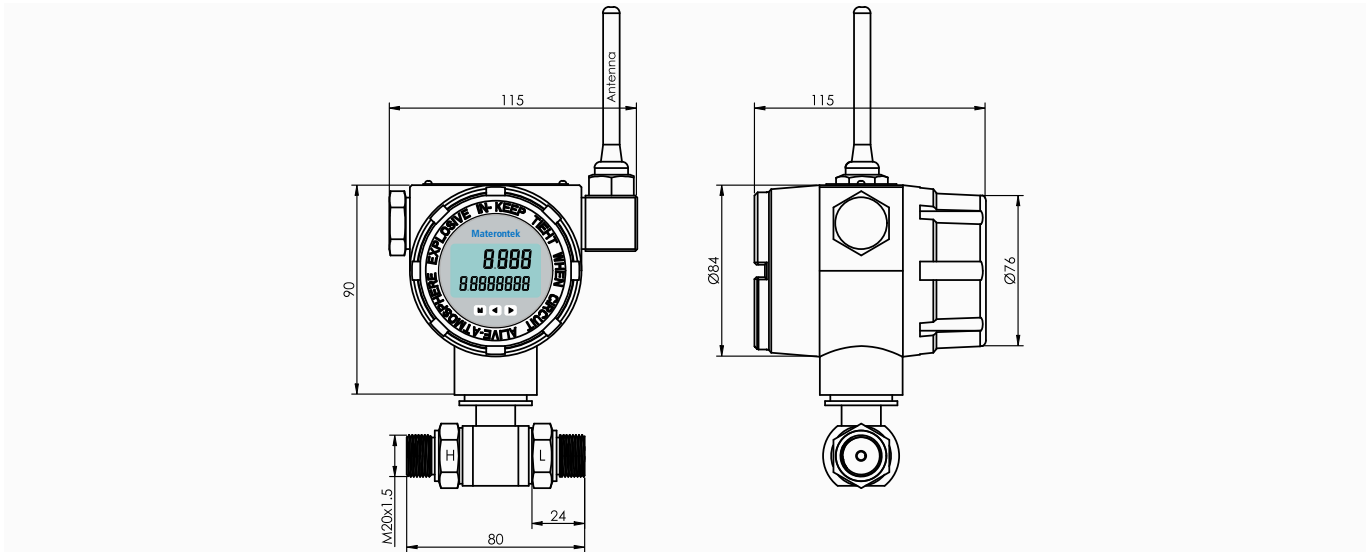
The listed specifications and dimensions are subject to change without prior notice

Model WL-DP series

Wireless Differential Pressure Transmitter
WSN(Wireless sensor network),GPRS

Materontek
Sensing and Internet of Things

Dimensions (All dimensions in mm)



Ordering code

Model	WL	
Type of measurement	DP	Differential pressure measurement
Type of communication	W	WSN(Wireless sensor network)
	G	GPRS communication
Measuring range	[0~x]bar	10mbar,...,40bar
Pressure type	D	Differential pressure
Process/Material	G1	Thread G1/4" female
	G2	Thread G1/2" female
	G3	Thread 1/4"NPT female
	G4	Thread 1/2"NPT female
	G5	Thread G1/4" male
	G6	Thread G1/2" male
	G7	Thread 1/4"NPT male
	C8	Thread 1/2"NPT male
	C9	Thread M20x1.5 male
	F1	Thread 1/4"PT female
Fx	Special design	
Housing/Protection Level	A	Aluminum/IP67
Cable Entry	M	M20x1.5
	N	1/2"NPT
Power	B	3.6V battery
	C	12VDC
	D	24VDC
	S	solar panel
Approval	P	Standard (Non explosion proof)
	I	Intrinsically Safe (Ex ia IIC T6)
	D	Flameproof Approval (Ex d IIC T6)

Order Note

1. Please pay attention that the media should be compatible with contacting material;
2. If the user has special requirement, please feel free to contact our company.