

Model EPT3000 series

Smart Differential Pressure Transmitter
Monocrystalline silicon differential pressure sensor
Mass production, automated calibration

Materontek
Sensing and Internet of Things

Features

- ❑ The highest accuracy be $\pm 0.065\%$
- ❑ Overload pressure up to 10MPa
- ❑ Excellent overvoltage performance
 - overpressure of 1kPa nominal range chip: 1MPa
 - overpressure of 6kPa nominal range chip: 2MPa
- ❑ Flexible range of compression Range ratio up to: 100:1
- ❑ Excellent operability & convenient use
- ❑ Five-digit LCD with backlight
- ❑ View of units (Pa, kPa, MPa, bar, mbar, %, psi, mmH₂O)
- ❑ Quickly adjusted through built-in three buttons



Application

- ❑ Be suitable to measure liquid, gas or steam flow as well
- ❑ Process control systems
- ❑ Chemical industry
- ❑ Energy industry
- ❑ Machine building

Technical data

Performance

Accuracy*	0.065%FS@25°C(Min.) 0.1%FS@25°C(Typ.)	*Linearity (best straight line) + Hysteresis + Repeatability
Operating Temperature	-40 to 85°C	
Storage temperature	-40 to 90°C	
Temp. coeff - Zero	$\pm(0.08\% \text{range} + 0.055\% \text{ upper limit of range})$	
Temp. coeff - Span	$\pm(0.08\% \text{range} + 0.055\% \text{ upper limit of range})$	
Vibration	20 g RMS(20 to 2000Hz)	
Shock	100 g(10ms)	
Cycles	10x10 ⁵	
Effect of overpressure	$\pm(0.065\% \text{upper limit of range})/5\text{MPa}$	
Long Term Stability	$\pm 0.05\% \text{upper limit of range/year}$	

Electrical @25°C

Output signal / Supply	2-wire 4...20mA+HART / V _S = 10.5... 45VDC	*Intrinsic safety explosion-proof DC10.5~26V
Load resistance	250~600 DC 24V, include cable resistance	
Insulation Resistance	100 MΩ@100VDC	
Load capacity	0.55mF	
Load inductance	3.3mH	
Spacing above power line	15cm(please avoid parallel wiring)	
Saturation current	Upper limit 20.8mA, lower limit 3.8mA	
Adjustment function	The zero & full span point can be adjusted in situ through three-button from the top of the housing or be adjusted remotely through configuration software.	
EMC Test	IEC61000-6-2/IEC61000-6-3	
Effect of Power supply	$\pm 0.005\% / 1V$	
Damp	The time constant can be adjusted from 0 to 99.9 seconds	
Reverse polarity protection	No damage - no function	

Physical Specifications

Housing	Low copper aluminum die casting + polyurethane coating
Diaphragm	SUS316LSS, Hastelloy C-276, Tantalum
Sealing	NBR or Viton O-ring
Oil Filling	Silicone oil
Protection	IP67
Weight	~4.2kg(without cable)

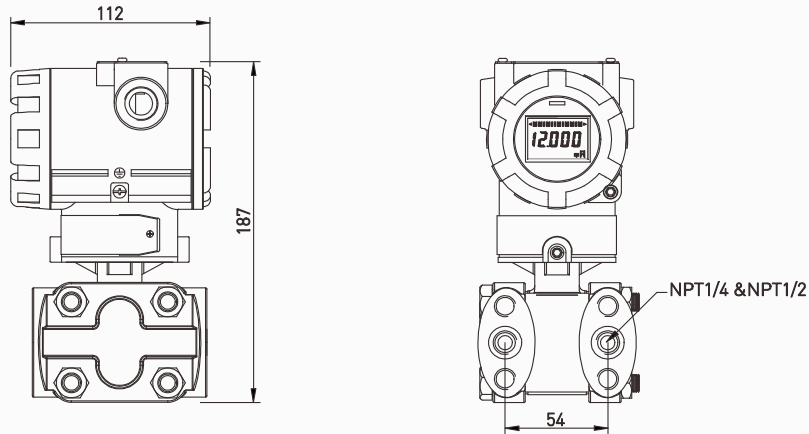
The listed specifications and dimensions are subject to change without prior notice

Model EPT3000 series

Smart Differential Pressure Transmitter
 Monocrystalline silicon differential pressure sensor
 Mass production, automated calibration

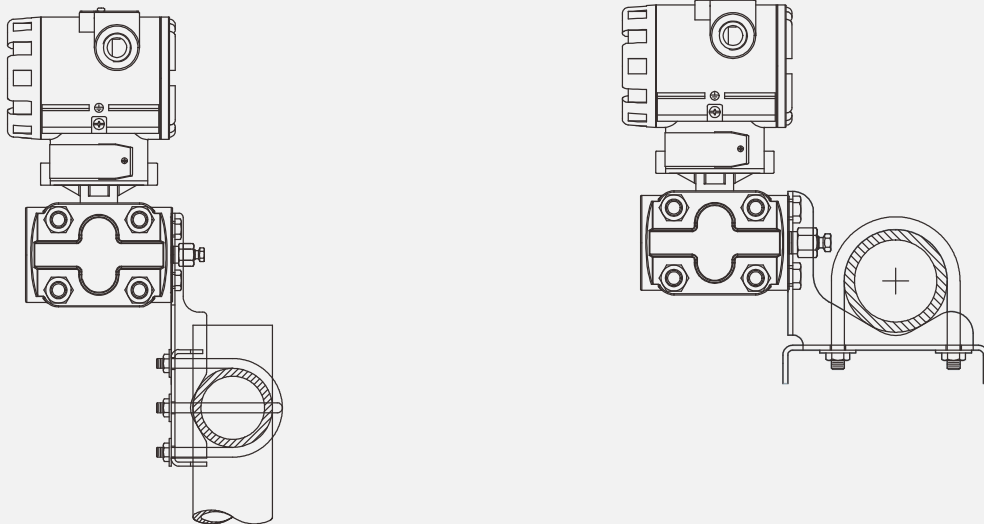


Dimensions (All dimensions in mm)



Code B1
Flat bracket

Code B2
Right angle bracket



Standard pressure range & URL

Code	Nominal pressure [bar]	Overpressure [bar]	Static pressure [bar]
S1	0...0.01	10	70
S2	0...0.06	20	70
S3	0...0.4	70	160
S4	0...1	100	250
S5	0...4	100	250
S6	0...40	100	250
S7	0...100	100	250

Model EPT3000 series

Smart Differential Pressure Transmitter
Monocrystalline silicon differential pressure sensor
Mass production, automated calibration

Ordering code

Model	EPT3000		
Code	Pressure range		
S1	10 mbar		
S2	60 mbar		
S3	400 mbar		
S4	1 bar		
S5	4 bar		
S6	40 bar		
S7	100 bar		
99	Customized range		
Code	Pressure Type		
D	Differential		
G	Gauge		
A	Absolute		
Code	Output signal		
A	4...20mA+HART Protocol		
Code	Accuracy		
01	0.065%FS	URL>100mbar	
02	0.1%FS		
03	0.2%FS		
04	0.5%FS		
Code	Materials		
	Membrane	Flange	Filled liquid
22	316LSS	316SS	Silicone oil
23	Hastelloy-C	316SS	Silicone oil
24	Tantalum	316SS	Silicone oil
25	316LSS gold plating	316SS	Silicone oil
26	316LSS	316SS	Fluorocarbon oil
27	Hastelloy-C	Hastelloy-C	Silicone oil
Code	Process connection		
D42	1/4-18NPT Female		
D43	1/2-14NPT Female		
D44	Customized		
Code	Electrical connection		
E1	M20x1.5		
E2	1/2" NPT		
Code	Meters		
M1	LCD display		
Code	Sealing materials		
01	FKM		
02	NBR		
Code	Mounting bracket		
B1	Flat bracket		
B2	Right angle bracket		
Code	Explosion-proof		
N	No		
IA	Intrinsic safety and dust explosion-proof approval		
D	Flame-proof and dust explosion-proof approval		
Code	Label		
S	Standard		
N	Neutral packing		
C	Custom label		