

Model DPG80

Digital Pressure Gauge
For general industrial applications



Features

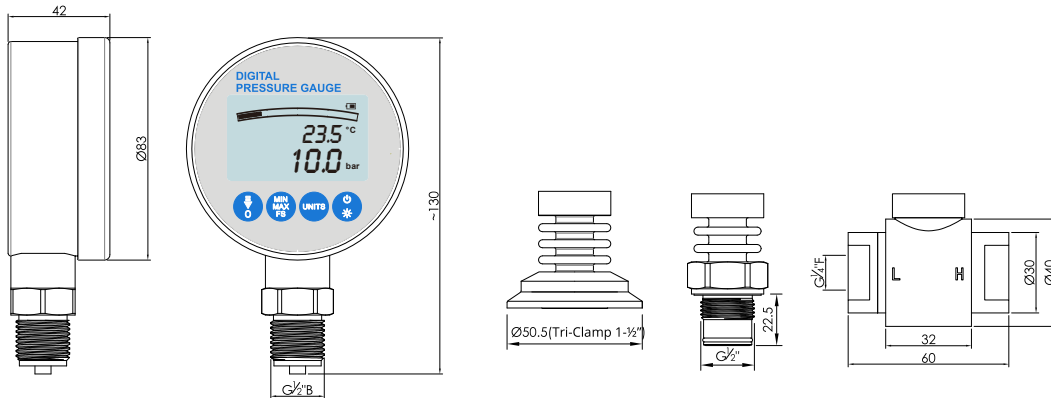
- Measuring ranges from -1 ... 0 to 0 ... 2200 bar
- Accuracy 0.2 %FS, 0.5 %FS
- Battery operation (2 x 1.5 V AA cell)
- LCD display
- Peak value recording function
- Selectable ranges: kgf/cm²,psi,MPa,bar

Technical data

Performance	
Pressure Range	-1 ... 0 to 0 ... 1000 bar
Display method	4 numerical digits for pressure display. Peak display/Ambient temperature display
Accuracy	±0.2%FS, ±0.25%FS,
Power supply	2 x 1.5 V AA cell
Overload Pressure	120%FS
Unit Switching	kgf/cm ² ,psi,MPa,bar
Long Term Stability	±0.3%FS/year
Diaphragm	316L Stainless Steel
Housing Material	304 Stainless Steel
Process Connection	G1/2, G1/4, 1/4NPT, 1/2NPT, PT1/4, PT1/2, Tri-Clamp
Operating temperature	-10 to 60 °C
Protection	IP54

The listed specifications and dimensions are subject to change without prior notice

Dimensions (All dimensions in mm)



Ordering code

Model	Range	Type	Pressure Port	Medium Temp	Accuracy
DPG80	01 0.2bar	G Gauge	01 G 1/4 male	T1 -20 to 85°C	A1 ±0.2%FS
	02 0.35bar	A Absolute	02 G 1/2 male	T2 -20 to 120°C	A2 ±0.5%FS
	03 0.6bar	D Differential pressure	03 1/4 NPT male	T3 -20 to 150°C	
	04 1bar		04 1/2 NPT male		
	05 2bar		05 PT 1/4 male		
	06 2.5bar		06 PT 1/2 male		
	07 4bar		07 M20x1.5 male		
	08 5bar		08 1/4 MP-7/16-20UNF		
	09 10bar		09 1/4 HP-9/16-18UNF		
	10 16bar		10 G 1/4 female		
	11 20bar		11 1/4 NPT female		
	12 25bar		12 G 1/2 Flush		
	13 35bar		13 1/2 NPT Flush		
	14 50bar		14 Tri-Clamp 1-1/2"		
	15 70bar		15 Tri-Clamp 2"		
	16 100bar		99 Custom		
	17 160bar				
	18 250bar				