

POSICIONADORES ROTATIVOS / ROTARY POSITIONERS

Rometec srl - www.rometec.it - info@rometec.it - Rometec srl - www.rometec.it - info@rometec.it

POSICIONADORES ROTATIVOS PARA ACTUADORES NEUMÁTICOS

ROTARY POSITIONERS FOR PNEUMATIC ACTUATORS



VALVESEAL
valves & sealing solutions

TF-POS-YT1000R



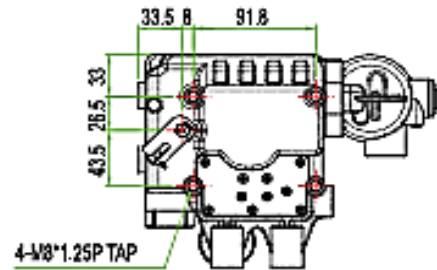
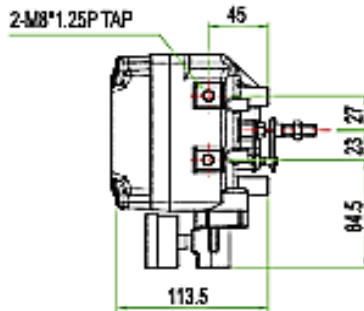
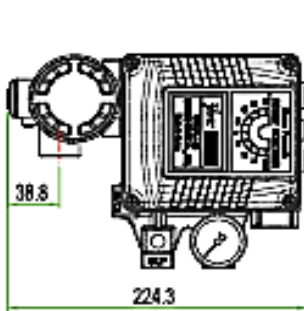
UTILIZACIÓN / APPLICATION :

El posicionador electroneumático YT-1000R se utiliza para el funcionamiento de los actuadores de válvulas rotativas neumáticas por medio de un controlador eléctrico o un sistema de control con una señal de salida analógica de DC 4 a 20 mA o rangos intermedios.

The Electro-Pneumatic Positioner YT-1000R is used for operation of pneumatic rotary valve actuators by means of electrical controller or control system with an analog output signal of DC 4 to 20mA or split ranges.

Item - Type	Single	Double
Input Signal	4-20mA DC	
Impedance	250 ± 15 Ω	
Supply Pressure	0.14~0.7MPa(1.4~7 bar)	
Stroke	0 ~ 90°	
Air Connection	PT(NPT,G)1/4	
Gauge Connection	PT(NPT) 1/8	
Conduit	G(PF,NPT)1/2, M20	
Explosion Protection Type	ATEX (I 2 G)Ex dmb IIB T5 IECEx (I 2 G)EEx md IIB T5 KCs Ex dmb IIB T5/Ex d IIC T5 IP66/Ex ia IIB T6 Gb TS Ex db mb IIB T5 Gb X CSA (Class I, Zone 1)Ex dm IIB T5 FM XP-S/II/CD/T5 Ta=60°C; DIP/II/III/1/EF/G/T5 Ta=60°C; Type 4X NEPSI Ex dmb IIC T6 Gb TIIS Ex dmb IIB T5	
Ingress Protection	IP66	
Operating Temp	Operating	-20°C~70°C(-4~158°F)
	Explosion	-20°C~60°C(-4~140°F)
Linearity	± 1% F.S.	± 2% F.S.
Hysteresis	± 1% F.S.	
Sensitivity	± 0.2% F.S.	± 0.5% F.S.
Repeatability	± 0.5% F.S.	
Air Consumption	2.5LPM (sup=0.14MPa)	
Flow Capacity	80LPM (sup=0.14MPa)	
Material	Aluminum Diecasting	
Weight	2.8kg (6.2 lb)	

* For additional SPTM, L/S specification refer to p. 25, 27(Internal) and 26, 28 (External).



Model	Acting Type	Explosion Protection	Lever Type	Orifice Type	Conduit - Air Connection	Operating Temp*2	Option1	Option2 *2
YT-1000R	S Single	N Non-Explosion	1 M6 x 34L	1 φ 1	1 G1/2 - PT1/4	S -20°C ~ 60°C	0 NONE (St'd)	0 NONE
	D Double	M ATEX, IECEx, TS, KCs	2 M6 x 63L	2 φ 2	2 G1/2 - NPT1/4	H -20°C ~ 120°C	1 Dome Cover	1 + SPTM(Internal)
		A CSA, FM	3 M8 x 34L	3 None	3 G1/2 - G1/4	L -40°C ~ 70°C		2 + SPTM(External)
		C KCs, NEPSI	4 M8 x 63L		4 M20 - NPT1/4 *1			3 + L/S(Internal)
		I KCs		5 NAMUR	5 NPT1/2 - NPT1/4			4 + L/S(External)
		X TIIS						5 + SPTM + L/S(Internal)

*1 M20 adapter is attached to conduit entry

*2With high-low temp and/or internal external SPTM, L/S option, positioner must be non-explosion type.