

**FEATURES**

The SF-type float flow meter is designed for the on-line measurement of water flow-rates. The movement of the float enables a direct reading to be made on the measurement scale. The SF flow meter can be used in the vertical or in the horizontal position due to the float mounting on a spring. The body is made of polycarbonate. Stainless steel threaded connections. This model is equipped, as an option, with an adjustable switch for information feedback on a flow-rate threshold.

**AVAILABLE MODELS**

**SF200** : DN 1/2".

**SF350 F** : DN 3/4" to 1"1/2".

Water flow-rates from 5 to 250 litres/minute.

G thread connections

**CERTIFICATION**

Pressure Equipment Directive 2014/68/EC: A4 §3

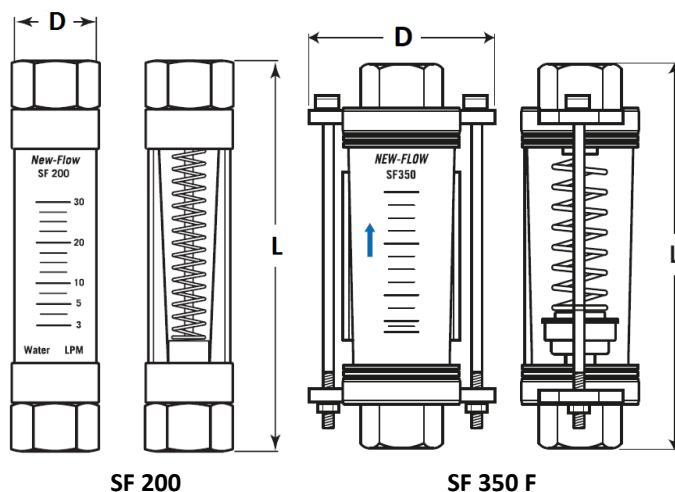
**LIMITS OF USE**

|            |                     |
|------------|---------------------|
| IP Code:   | IP 65               |
| Fluid WP:  | 12 bar              |
| Fluid WT°: | +5°C / +60°C        |
| Accuracy:  | +/- 5% of the scale |



**FLOW-RATE RANGES AND DIMENSIONS (mm)**

| DN    | Type     | Water flow-rate range at 20°C (litres/minute) | D  | L     |
|-------|----------|---|----|-------|
| 1/2"  | SF 200   | 5 - 50  | 28 | 134   |
| 3/4"  | SF 350 F | 10 - 100                                      | 85 | 165,5 |
| 1"    | SF 350 F | 15 - 150                                      | 85 | 165,5 |
| 1"1/4 | SF 350 F | 20 - 200                                      | 92 | 175   |
| 1"1/2 | SF 350 F | 25 - 250                                      | 92 | 175   |



### CONSTRUCTION

| No. | Name   | Material                  |
|-----|--------|---------------------------|
| 1   | Ends   | AISI 316 SS               |
| 2   | Tube   | Polycarbonate             |
| 3   | O-ring | FPM                       |
| 4   | Float  | PPS-coated magnetic steel |
| 5   | Spring | AISI 316 SS               |

### ALARM CONTACT OPTION

|                        |  |
|------------------------|--|
| Type                   | REED NO  |
| Operation              | DPDT   |
| Cut-off voltage        | 0.5A to 125V AC - 10W to 100V CC   |
| Mounting on flow meter | On a rear plate - position adjustable by 10% to 80% of the flow-rate range |
| Number of contacts     | 1 or 2   |

### INSTALLATION

- Comply scrupulously the alignment of the pipings.
- Plan adapted support of the piping.
- In case of gap, set an expansion join.
- Comply with the direction indicated by the arrow on the body.

