

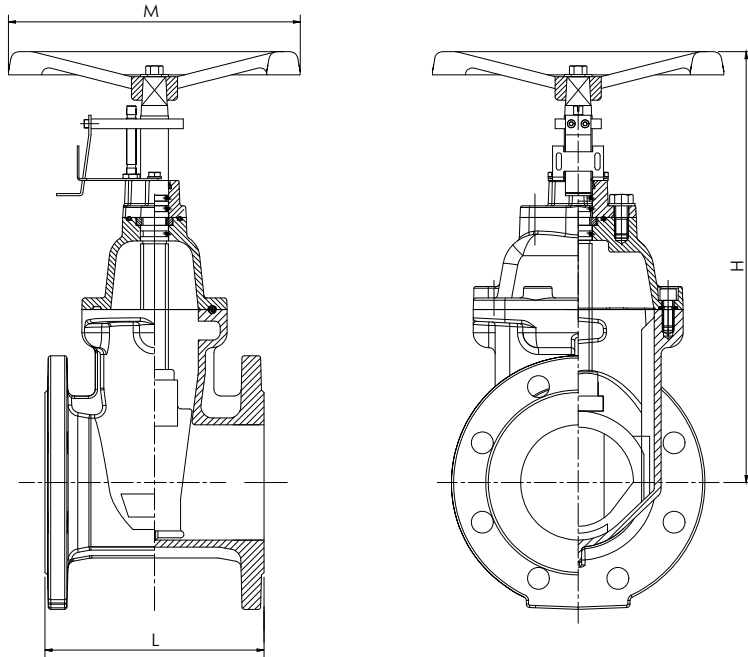


NRS Flanged Gate Valve F4 series Fig. 117FF

Product Description

Rapidrop Fig.117FF Valve is a manually operated, non rising stem resilient wedge gate valve designed for use in fire protection systems for on/off operation only. The lightweight ductile iron body allows for easier handling and reduced shipping costs. Valves are suitable for both vertical and horizontal installation and are equipped with a visual open - close indicator.

Valve components are corrosion resistant or coated with a thermally applied fusion-bonded epoxy. The EPDM encapsulated ductile iron wedge with a compression mechanism is designed to achieve water tight sealing and low torque operation.



Maximum Working Pressure

16 bar (232 PSI)

Temperature Range

0°-80°C

Coating

Fusion Bonded Epoxy Coating in accordance with ANSI /AWWA C550

Flange Specification

EN 1092-2 , PN16 raised face

Design Standards

EN 558-1 / Series 14

EN 1171

Sizes

SIZES		Dimensions (mm)			Weight (Kg)	Pressure Rating Approvals			Product Ordering Code
Inch	mm	L	H	M		FM	UL	VdS	
2"	DN 50	150	282	180	10.3	✓	-	✓	RD117FF050
2.5"	DN 65	170	290	180	12.3	✓	✓	✓	RD117FF065
3"	DN 80	180	331	200	16.3	✓	✓	✓	RD117FF080
4"	DN 100	190	366	254	21.1	✓	✓	✓	RD117FF100
5"	DN 125	200	447	280	32.4	-	✓	✓	RD117FF125
6"	DN 150	210	490	305	42.3	✓	✓	✓	RD117FF150
8"	DN 200	230	560	350	57.3	✓	✓	✓	RD117FF200
10"	DN 250	250	706	450	105.5	✓	✓	✓	RD117FF250
12"	DN 300	270	802	450	169.2	✓	✓	✓	RD117FF300



NRS Flanged Gate Valve F4 series Fig. 117FF

Installation

Rapidrop Figure 117FF Flanged Gate Valve is suitable for indoor and outdoor use. The valve should be installed in a location easily accessible for operation and maintenance. The valve may be installed in any position and the flow may be from either direction through the valve. Valves should be supported independently to prevent the movement and stresses from the connecting piping system.

1. Visually inspect the valve, make sure that the connecting flanges are clean of debris and any foreign materials.
2. Ensure that valve is in the closed position during handling and installation process.
3. Insert the valve with appropriate gaskets between the flanges and tighten all flange bolts using the crossover method.
4. After tightening the bolts check the operation by fully opening and closing the valve.
5. Before pressurising the system make sure the valve is in fully open position.

Care and Maintenance

The valve should never be forced to seat by applying a wrench to the handwheel as this may distort the valve components. The use of excessive force to open or close the valve violates all warranties. The valve should not be used to force a pipeline into position as this may result in the damage of the valve components.

Rapidrop gate valves require no regular maintenance, however it is advisable to inspect and verify proper operation of the unit annually or in accordance with the authority having jurisdiction.

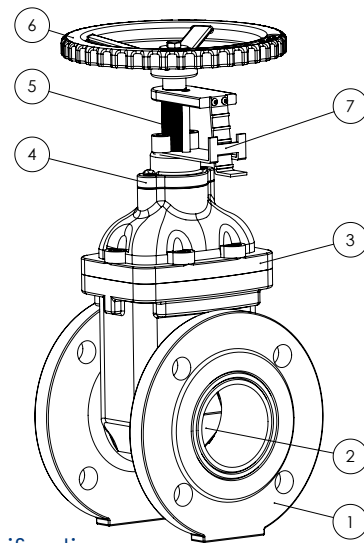
The inspection should include a visual check for leakage at the pipe connection. Inspection and maintenance should be performed by a competent person in accordance with national codes/ requirements.

Debris in the piping system might cause difficulties in closing the valve, this problem can be overcome by backing off the handwheel and closing the valve again.

Rapidrop Figure 117FF Flanged Gate Valves are suitable for both indoor and outdoor use. Minor degradations of surface finish should not affect the performance of the valve.

Recommended Flange Bolt Tightening Torque

SIZES		Recommended Minimum Torque	SIZES		Recommended Minimum Torque
2"	DN 50	27 Nm	5"	DN 125	125 Nm
2.5"	DN 65	38 Nm	6"	DN 150	149 Nm
3"	DN 80	70 Nm	8"	DN 200	203 Nm
4"	DN 100	102 Nm	10"	DN 250	251 Nm
			12"	DN 300	305 Nm



Material Specification

No	Description	Material
1	Valve Body	Ductile Iron
2	Disc	Ductile Iron + EPDM
3	Bonnet	Ductile Iron
4	Gland	Ductile Iron
5	Stem	Stainless Steel
6	Handwheel	Ductile Iron
7	Indicator	Stainless Steel

Important Installation Information

- Rapidrop Figure 117FF Flanged Gate Valve must only be installed by a competent person in accordance with requirements of the local authority having jurisdiction. Deviations from these standards will invalidate warranty.
- It is the responsibility of the installing contractor to include a copy of this document in the sprinkler system installation, operating and maintenance manual.
- Alterations to Rapidrop products will void any warranty.
- Figure 117FF Flanged Gate Valve should be inspected and maintained during routine sprinkler system inspections by a competent person in accordance with national codes/requirements.
- Failure to follow these instructions could cause improper operation, resulting in personal injury and/or property damage.
- For further details and technical support please contact your Rapidrop sales representative.