



HS108 Digital Pressure Gauge

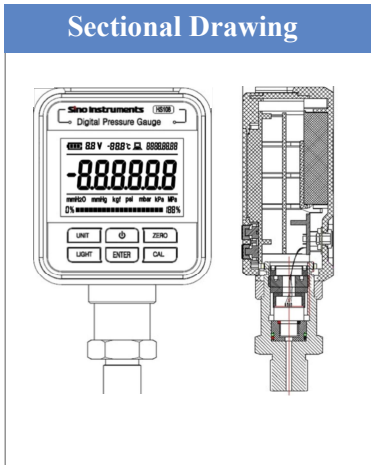
HS108 Digital Pressure Gauge is portable, high-accuracy test gauge. With advanced microprocessor technology and state-of-the-art silicon pressure sensors, HS108 provides an accurate, reliable and economic solution for pressure application in the industries of power, chemical, petrol, metallurgy, metering, etc. Every HS108 Digital pressure gauge pass the high and lower temperature aging, so it could assure the products more accurate and reliable.

Features

- Pressure range up to 2500bar
- High accuracy up to 0.025%F.S
- Temperature compensating
- Large, easy to read display with 6-digit resolution
- RS232 communication port can communicate with PC
- With max and min values function
- Zero point, full scale calibration function
- Nine pressure units selectable
- Equipment with rugged ABS Plastic
- 7.4Vdc rechargeable lithium battery and special charger
- Data storing function
- Large LCD with white backlight, dual readout
- CE & EX Approval

Specifications

- Range: (-1-0)bar, (0-2500)bar, (See the pressure ranges selection sheet)
- Accuracy: $\pm 0.025\%F.S$, $\pm 0.05\%F.S$, $\pm 0.1\%F.S$,
- Units kPa, Pa, psi, kgf/cm², bar, mbar, mmH₂O, mmHg, MPa
- Temperature compensating range: (-10-50)°C
- Display: 6 digits big LCD with backlight
- Connection: M20×1.5, or 1/4"NPT male thread
- Dimensions: $\Phi 95\text{mm} \times 49\text{mm}$
- Total Height: 166mm
- Weight: 0.75kg



Pressure ranges selection sheet

Gauge pressure				
No.	Pressure Rang		Accuracy	Media
	(psi)	(bar)		
HS108-1	(0~10)	(0~0.7)	0.025,0.05,0.1	G
HS108-2	(0~15)	(0~1)	0.025,0.05,0.1	G
HS108-3	(0~30)	(0~2)	0.025,0.05,0.1	G,L
HS108-4	(0~60)	(0~4)	0.025,0.05,0.1	G,L
HS108-5	(0~100)	(0~7)	0.025,0.05,0.1	G,L
HS108-6	(0~200)	(0~14)	0.025,0.05,0.1	G,L
HS108-7	(0~300)	(0~20)	0.025,0.05,0.1	G,L
HS108-8	(0~500)	(0~35)	0.025,0.05,0.1	G,L
HS108-9	(0~600)	(0~40)	0.025,0.05,0.1	G,L
HS108-10	(0~1000)	(0~70)	0.025,0.05,0.1	G,L
HS108-11	(0~2000)	(0~140)	0.025,0.05,0.1	G,L
HS108-12	(0~3000)	(0~200)	0.025,0.05,0.1	G,L
HS108-13	(0~5000)	(0~350)	0.025,0.05,0.1	G,L
HS108-14	(0~6000)	(0~400)	0.025,0.05,0.1	G,L
HS108-15	(0~10000)	(0~700)	0.025,0.05,0.1	G,L
HS108-16	(0~15000)	(0~1000)	0.025,0.05,0.1	G,L
HS108-17	(0~24000)	(0~1600)	0.05,0.1	G,L
HS108-18	(0~37000)	(0~2500)	0.05,0.1	G,L

Compound pressure				
No.	Pressure Rang		Accuracy	Media
	(psi)	(bar)		
HS108-19	(-0.4~0.4)	(-0.025~0.025)	0.025,0.05,0.1	G
HS108-20	(-0.8~0.8)	(-0.05~0.05)	0.025,0.05,0.1	G
HS108-21	(-1.5~1.5)	(-0.1~0.1)	0.025,0.05,0.1	G
HS108-22	(-6~6)	(-0.4~0.4)	0.025,0.05,0.1	G
HS108-23	(-15~15)	(-1~1)	0.025,0.05,0.1	G

Remark:

1.G=Gas,L=Liquid

2.Pressure Port :1/4"NPT male