



## MODEL RSS Radioactive Slurry Sampler

*Samples hazardous or radioactive liquids and slurries*



MODEL RSS RADIOACTIVE SLURRY SAMPLER

### Features

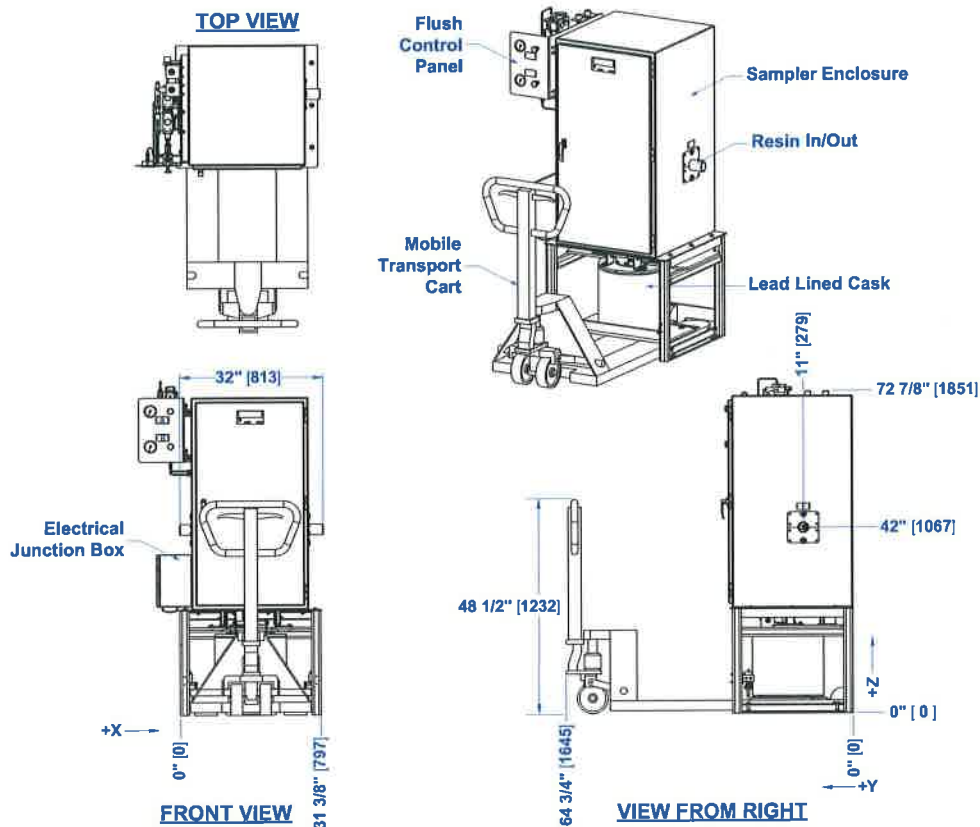
- Lead filled cask design for dose rate of approximately 10 mrem/hr with a 1.0 curie sample taken. Cask size varies based on application, isotopic inventory, and total activity captured.
- Robust structure with optional seismic calculations.
- Remotely operated push button sampling.
- Mobile sample transport cart with braking system.
- PLC monitor with visual alarms.
- Bottle carrier with self-actuated shielded cover, pneumatic bottle carrier lift.
- Radiation resistive components with optional material traceability report.
- Adjustable sample and flush volumes.
- Low maintenance design.

### Description

The Radioactive Slurry Sampler provides automated sampling of radioactive slurries from the safety of a remote operator station.

Upon operator signal, a sample bottle is lifted into position. A radioactive ISOLOK<sup>®</sup> sampler operates by compressed air forcing a plunger into the process line to capture a fixed volume of material. The ISOLOK<sup>®</sup> retracts and sample is flushed into the bottle. The sample bottle is lowered into a lead cask. The shielded cask cover rotates closed and the mobile transport cart can then be removed.

## TECHNICAL DATA



## SPECIFICATIONS

Dimensions . . . . .	.65"L x 43" W x 73" H (1651 mm x 1092 mm x 1854 mm)
Weight . . . . .	Sampler: 450 lbs (204 kg); Lead Cart: 1,480 lbs (671 kg)
Sample Inlet/Outlet Connection . . . . .	1/2" to 2" flanged or buttweld
Pressure Rating . . . . .	300 psig (21 barg)
Temperature Rating . . . . .	575°F (302°C)
Demin. Water Consumption . . . . .	250 mL per sample
Power Consumption . . . . .	20 watts
Instrument Air . . . . .	75 - 150 psig (5 - 10 barg); 1/4" comp fitting
Demin. Water . . . . .	40-100 psig (2.7-7 barg); 1/4" comp fitting
Drain Connection . . . . .	1/4" comp fitting
Sample Size (per stroke) . . . . .	10 cc or 25 cc
Voltage . . . . .	100-240VAC 50/60 Hz
Sample Bottle . . . . .	125 mL or 250 mL
Air Consumption (per sample) . . . . .	10 scfh

**WARNING**

It is solely the responsibility of the end-user, through its own analysis and testing, to select products and materials suitable for their specific application requirements, ensure they are properly installed, safely applied, properly maintained, and limit their use to their intended purpose. Improper selection, installation, or use may result in personal injury or property damage.



### SENTRY EQUIPMENT CORP

966 Blue Ribbon Circle North  
Oconomowoc, WI 53066 USA  
Tel: 262-567-7256 • Fax: 262-567-4523

E-mail:  
sales@sentry-equip.com

Website:  
www.sentry-equip.com

**QUALITY MANAGEMENT SYSTEM  
CERTIFIED BY DNV  
ISO 9001:2008**

For further information, contact:

### *Rometec srl*

Via Alessandro Minuziano, 87 - 89  
00128 - Roma  
Tel 06-5061635 Fax 065061542  
P.Iva 0412062100  
**www.rometec.it**