



SENTRY ABPR ADJUSTABLE BACK PRESSURE REGULATOR

Pressure Conditioning



SAMPLE CONDITIONING

The Sentry® Adjustable Back Pressure Regulator (ABPR) is ideal for situations that require fine pressure adjustments, such as with varying distances between analytatics or with varying analytical requirements. The ABPR combines the function of an adjustable back pressure regulator and a relief valve. Regulated pressure provides constant flow to analyzers, with excess bypassed to the sink as sample.

MODEL

WEABPR

BENEFITS

Most commonly used relief valves cause pressure spikes when they operate and are prone to leaking due to deposits formed around the seal. With the Adjustable Back Pressure Regulator, as long as sample pressure is above the minimum setpoint, there always will be flow from the exhaust port. The exhaust of the ABPR is constantly flowing, preventing deposits. Plus, the adjustable setpoint allows fine tuning of sample flow rates. The relieving capacity exceeds that of most commonly used 1/4-inch relief valves.

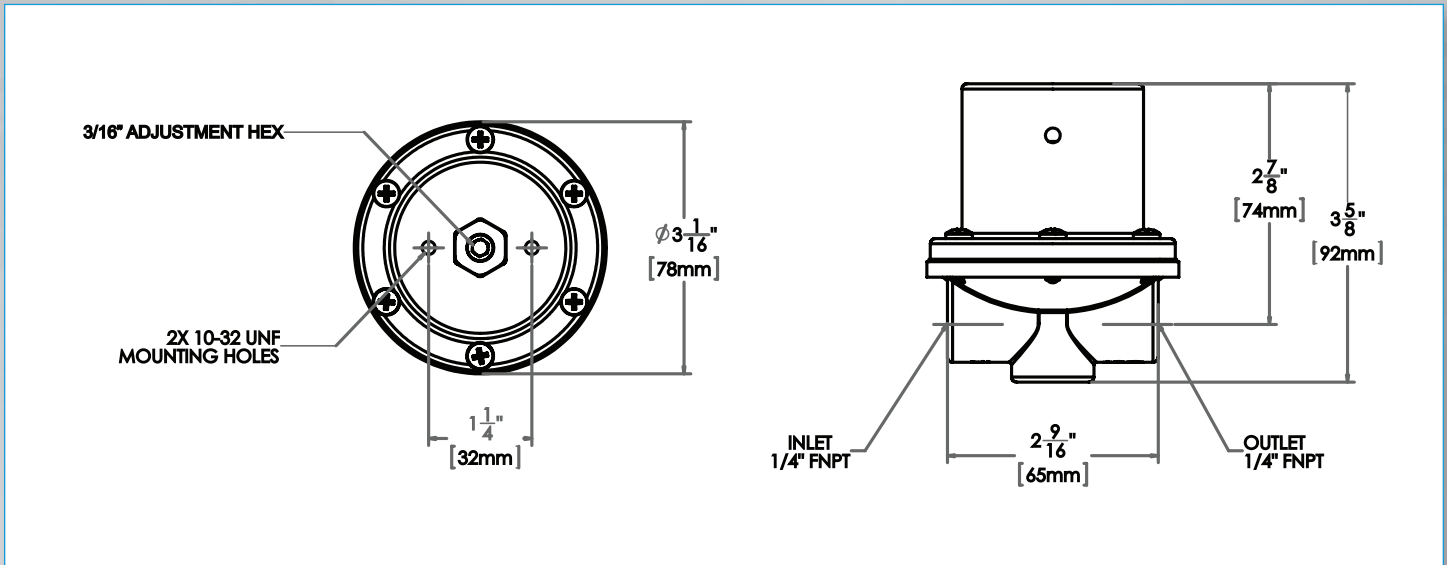
FEATURES

- Designed specifically for power plant sample flow rates
- Most effective way to assure constant flow through online analyzers
- Less prone to plugging and sticking than a pressure-reducing valve
- Will not wire draw or erode in normal service
- Adjustable setpoint within a range of 5-60 psig

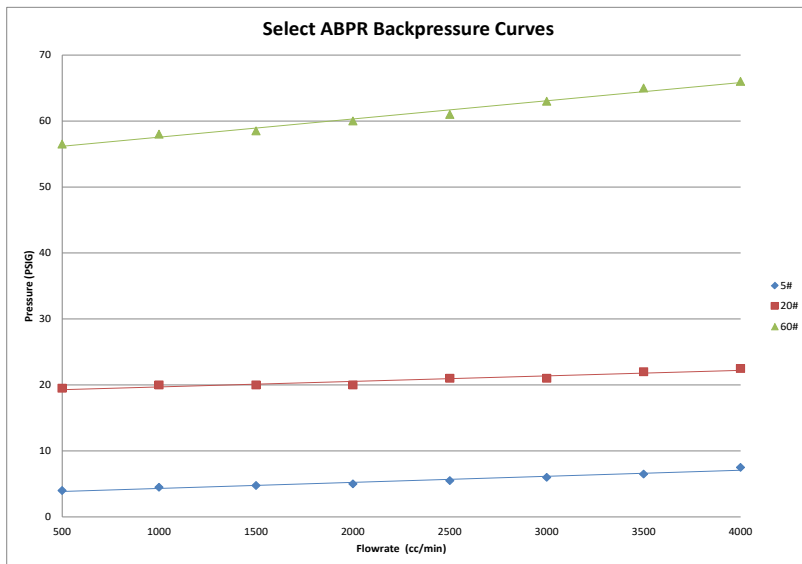


Sample. Monitor. Measure.





SPECIFICATIONS	
weight	2 lbs (1 kg)
ambient temperature	40°F to 165°F (-40°C to 74°C)
connections	1/4 in NPT female
wetted materials	316 SS and Viton®
regulated pressure	5-60 psig
relieving capacity	see chart



sentry-equip.com

966 Blue Ribbon Circle North, Oconomowoc, WI 53066 U.S.A. | +1-262-567-7256 | sales@sentry-equip.com



© 2018 Sentry Equipment Corp. All rights reserved. All product and company names are property of their respective owners. It is solely the responsibility of end users, through their own testing and analysis, to select products and materials suitable for their specific application requirements, ensure they are properly installed, safely applied and properly maintained, and to limit their use to their intended purpose. Improper selection, installation or use may result in personal injury or property damage.

COMPANY WITH
QUALITY SYSTEM