



MODEL TLC Twist-Lock Cell Holder

*Easily remove sensors
without tools*



Features

- Converts an NPT sensor into a Twist-Lock Bayonet style
- Stop pins provide for 1/4 turn insertion and removal without visual alignment
- End fittings are 1/4" NPT

Description

The Sentry Model TLC cell holder eliminates the need for tools to insert and remove sensors. Prevents twisted potted cables with 1/4 turn operation.

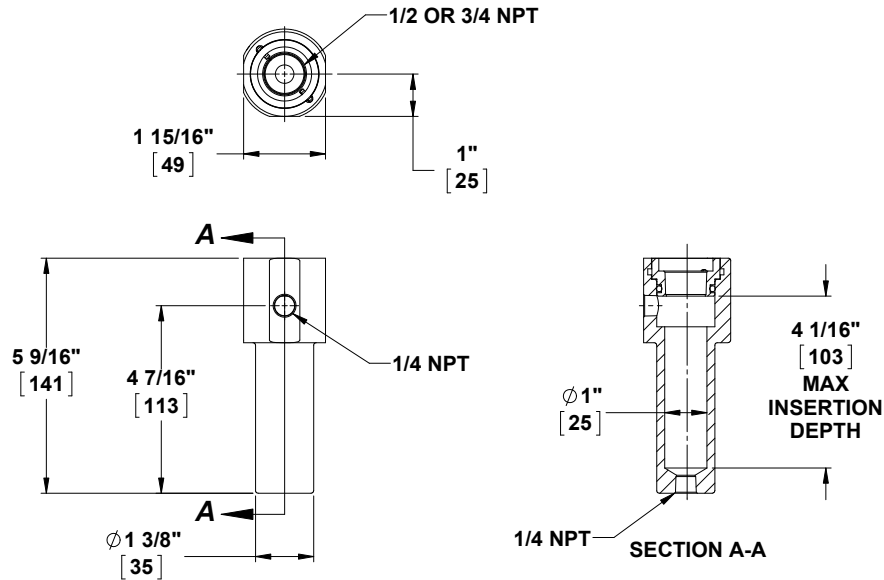
The twist-lock cell holder saves time during calibration and maintenance. Swap sensors quickly between cell holders while troubleshooting.

Assembly

1. Apply Teflon tape to sensor threads.
2. Thread adapter onto sensor with the O-ring pointed toward the sensor tip.
3. Hand tighten firmly to ensure that the adapter will not become loose when it is inserted and removed from the holder.



TWIST-LOCK CELL HOLDER TECHNICAL DATA



SPECIFICATIONS

Operating Temperature	180°F (82°C) maximum
Operating Pressure	100 psig @ 100°F (7 barg @ 38°C) 60 psig @ 180°F (4 barg @ 82°C)
Flow	1500 cc/min maximum
Weight	7.5 oz (212.6 g)
Wetted Materials	Copolymer Acetal, Viton
Recommended pH range	6 - 10 pH

PART NUMBERS

TLC-075 Twist-Lock Holder with 3/4" NPT cell adapter	6-05273A
TLC-050 Twist-Lock Holder with 1/2" NPT cell adapter	6-05273B
Adapter, 3/4" NPT	2-00953P
Adapter, 1/2" NPT	2-00953Q
Holder	2-00953N
O-Ring	4-05907A

⚠ WARNING

It is solely the responsibility of the end-user, through its own analysis and testing, to select products and materials suitable for their specific application requirements, ensure they are properly installed, safely applied, properly maintained, and limit their use to their intended purpose. Improper selection, installation, or use may result in personal injury or property damage.



SENTRY EQUIPMENT CORP

966 Blue Ribbon Circle North
Oconomowoc, WI 53066 USA
Tel: 262-567-7256 • Fax: 262-567-4523

E-mail:
sales@sentry-equip.com

Website:
www.sentry-equip.com

QUALITY MANAGEMENT SYSTEM
CERTIFIED BY DNV
— ISO 9001:2008 —

For further information, contact:

Rometec srl

Via Alessandro Minuziano, 87 - 89
00128 - Roma
Tel 06-5061635 Fax 065061542
P.Iva 0412062100
www.rometec.it