

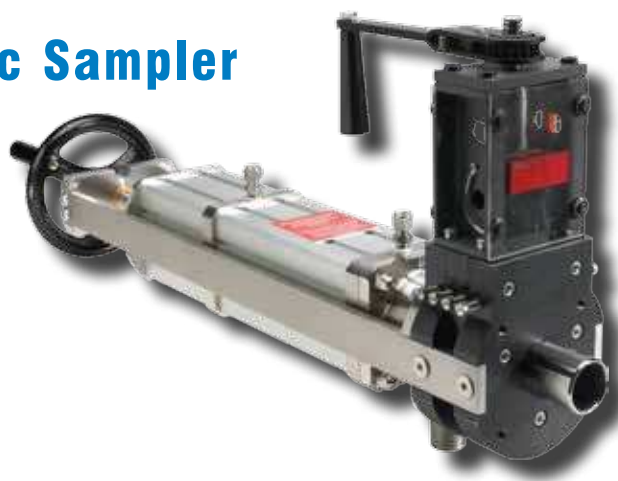


ISOLOK[®] SAL-Q

Isolatable Automatic Sampler

U.S. Patent Pending • Canadian Patent Pending

Double Block and Bleed



ISOLOK[®] SAL-Q SAMPLER

Features

- Industry accepted and approved Delta Double Block and Bleed, ANSI rated Knife Gate valve (300#). Class IV shutoff enables sampler removal while process remains in service. Delta valve is used widely throughout the Oilsands and other mining applications.
- Easy to maintain — plunger extends to provide access to wrench flats and seals
- Easily field replaceable internal wear sleeve and process seals.
- CRN# provided on all components.

Options

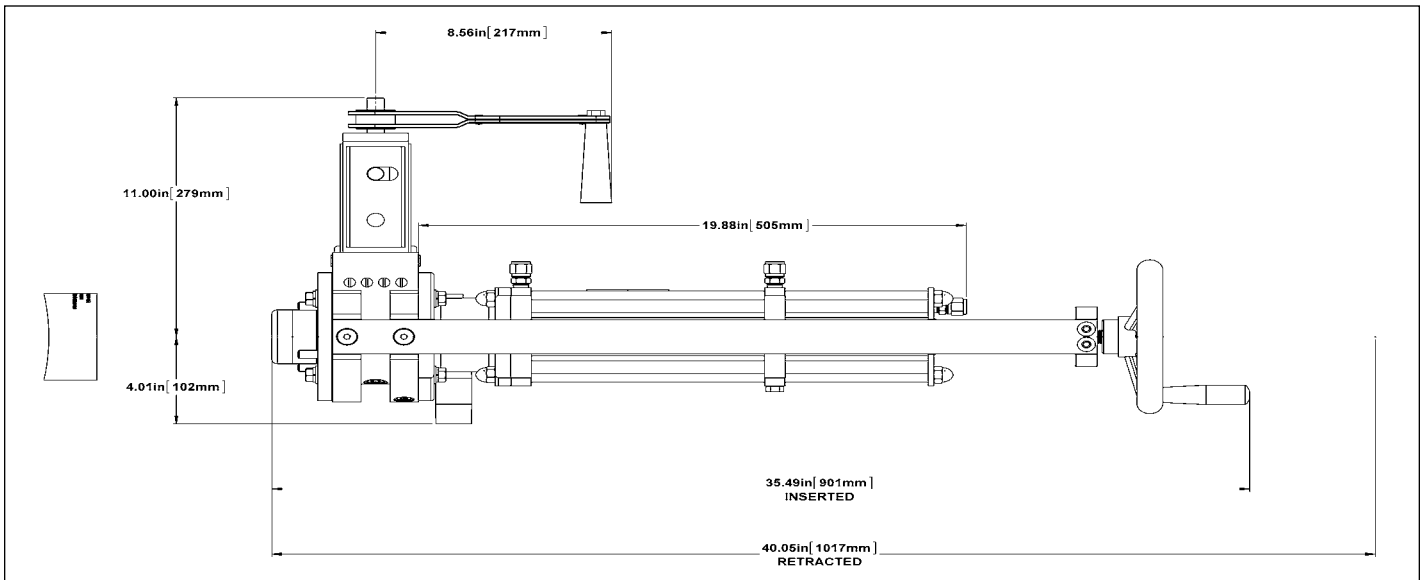
- Port closures
- Several types of containers
- Sampler enclosures (with or without heater)
- Sample heating or refrigeration
- Optional materials of construction and seal choices
- Mounting adaptor to retrofit onto existing ISOLOK[®] SAB and SAL-B ports.

Description

The ISOLOK[®] SAL-Q sampler uses the same proven technology which has been in use on the Non-Isolatable ISOLOK[®] Sampler for years - while, at the same time, incorporating the use of an industry proven and accepted Delta Knife Gate Valve to isolate the sampler from the process line when the sampler needs servicing.

The sampler actuator is manually inserted into and through the knife gate valve by simply turning a hand wheel and is then bolted onto the gate valve. The sampler is operated by standard plant compressed air and controlled by either your plant DCS/PLC or we can supply a simple time-based controller to suit your application.

TECHNICAL DATA



SPECIFICATIONS

Sample Volume per Cycle	10 or 25 cc per cycle
Maximum Particle Size	5 mm (0.2")
Line Mounting Options	Line adapters designed and supplied by Sentry; line adapters available in stainless steel (hard facing available as option)
Wetted Materials of Construction	316, 431 and 17-4 PH stainless steel
Actuator and Static Seals	FKM, PTFE and NBR
Plunger Seals	XNBR, EPDM, HNBR or Durethane
Net weight, not including controller or accessories	Removable (actuator) portion: approx. 52 lb. (24 kg) Valve: approx. 29 lb. (13 kg)
Canadian Registration Numbers (Alberta only)	Sampler: 0C12012.2 Line adapter: 0A6872.2 Gate Valve: 0C04023.2
CRN Pressure and Temperature Rating	720 psi @ 100°F (49.6 bar @ 38°C) 500 psi @ 450°F (34.4 bar @ 232°C) maximum

	Compressed Air Required		Operating Pressure (with corresponding air pressure)	
Minimum	60 psig	4.0 bar	300 psig (process) @ 60 psig (air)	20.7 bar (process) @ 4.0 bar (air)
Recommended Range	80-100 psig	5.5-6.9 bar	400 psig (process) @ 80-100 psig (air)	27.5 bar (process) @ 5.5-6.9 bar (air)

⚠ WARNING

It is solely the responsibility of the end-user, through its own analysis and testing, to select products and materials suitable for their specific application requirements, ensure they are properly installed, safely applied, properly maintained, and limit their use to their intended purpose. Improper selection, installation, or use may result in personal injury or property damage.



SENTRY EQUIPMENT CORP

966 Blue Ribbon Circle North
Oconomowoc, WI 53066 USA
Tel: 262-567-7256 • Fax: 262-567-4523

E-mail:
sales@sentry-equip.com

Website:
www.sentry-equip.com

QUALITY MANAGEMENT SYSTEM
CERTIFIED BY DNV
ISO 9001:2008

For further information, contact:

Rometec srl

Via Alessandro Minuziano, 87 - 89
00128 - Roma
Tel 06-5061635 Fax 065061542
P.Iva 0412062100
www.rometec.it