



*The
Sampling
Connection*

MODEL MVD CLOSED LOOP PROCESS SAMPLE VALVE



Safe & Accurate Sampling for Liquids

Features

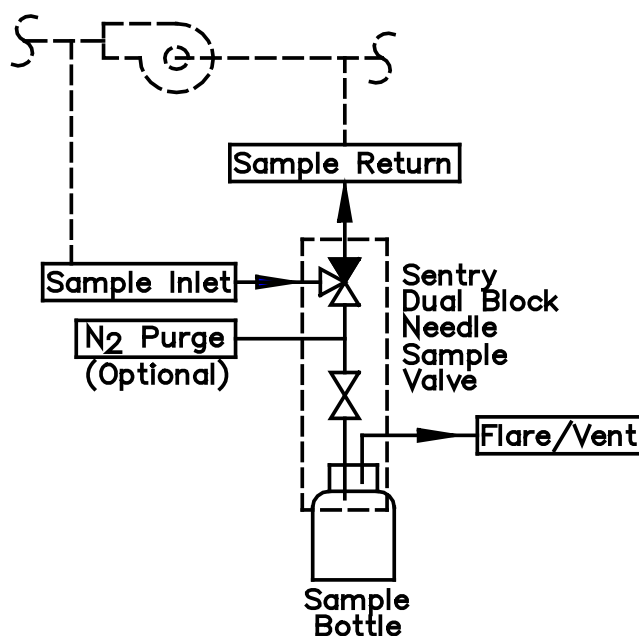
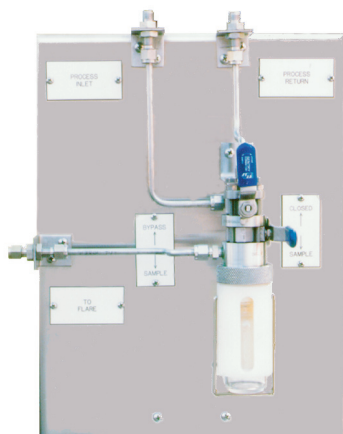
- Non-coring needle design improves septum integrity
- Spring-loaded throttle valve helps to protect against over filling
- Separate fluid and vent needles for reliable venting of vapors
- Unique double block valve configuration for added safety
- Simple replacement of needle assembly without disconnecting piping/tubing
- Optional purge connection for cleaning of needles to assure representative sample

Description

The Sentry MVD closed loop sample valve is specifically designed to collect process samples without emissions to the atmosphere or exposure to the operator.

The double block valve configuration assures an extra degree of safety for operators. Dead volume is minimized with its unique design. The speed loop guarantees representative sample availability at the valve at all times.

The Sentry MVS valve is like the MVD, without the return line connection.



CLOSED LOOP PROCESS SAMPLE VALVE

SAMPLE VALVE MODEL NUMBERS

Valve Series	Customer Interface Connection	Valve Material	Pressure/Temperature
MVD-42	1/4" Compression	316 SS / Viton® / Teflon® / Kalrez®	1000 psi @ 250°F (70 bar @ 122°C)
MVD-62	3/8" Compression	316 SS / Viton® / Teflon® / Kalrez®	1000 psi @ 250°F (70 bar @ 122°C)
MVD-82	1/2" Compression	316 SS / Viton® / Teflon® / Kalrez®	1000 psi @ 250°F (70 bar @ 122°C)

MODEL NUMBER OPTIONS

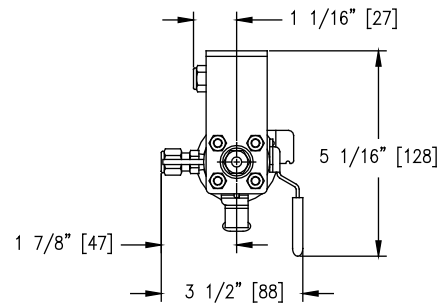
A Nitrogen Purge	B Fill Needle (O.D.)	C Vent Needle (O.D.)	D Bottle Type	E Bottle Size	F Septum Type
1 = Yes 2 = No	1 = 0.065" 2 = 0.083" 3 = 0.110" 4 = 3/16" tube stub	1 = 0.065" 2 = 0.083" 3 = 0.110" 4 = 9/64" orifice	B = Boston Round S = Schott X = Special	1 = 2 oz. (60 ml) 2 = 4 oz. (118 ml) 3 = 8 oz. (237 ml) 4 = 16 oz. (473 ml) 5 = 32 oz. (946 ml)	TS = Teflon® coated Silicone X = Special

Sentry's modular approach allows you to build the unit to fit your service:
MVD-42-ABCD-EF

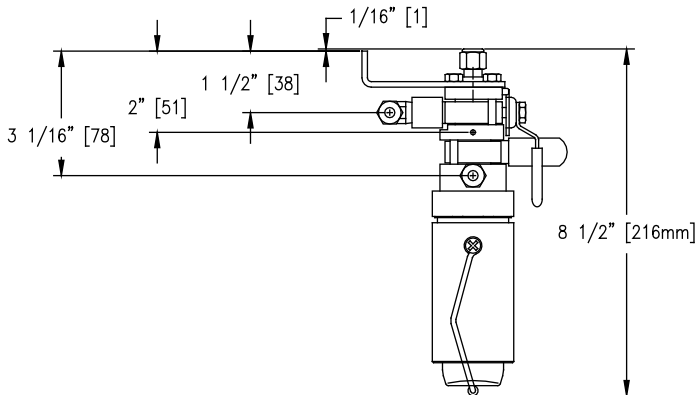
Example: MVD-42-112B-1TS is a 1/4" SS sampler with Nitrogen purge, 0.065" fill, 0.083" vent, 2 oz. bottle with a Teflon® coated silicone septum.

Options: Valves may be panel-mounted for floor standing or wall-mounted installations. Special elastomers are available. Consult factory for more details. NPT, SW, and metric connections are available.

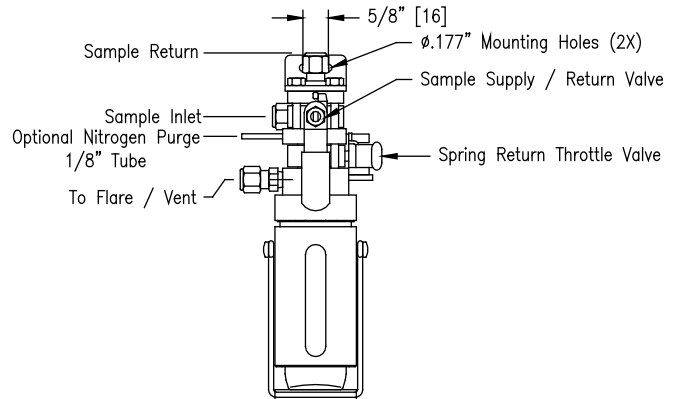
Top View



Side View

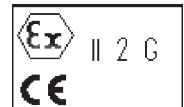


Front View



⚠ WARNING

It is solely the responsibility of the end-user, through its own analysis and testing, to select products and materials suitable for their specific application requirements, ensure they are properly installed, safely applied, properly maintained, and limit their use to their intended purpose. Improper selection, installation, or use may result in personal injury or property damage.



SENTRY EQUIPMENT CORP

PO Box 127
Oconomowoc, WI 53066 USA
Phone: 262-567-7256
Fax: 262-567-4523

E-mail:
sales@sentry-equip.com

Website:
www.sentry-equip.com

The Sampling Connection

For further information, contact:

Rometec srl

Via Alessandro Minuziano, 87 - 89
00128 - Roma

Tel 06-5061635 Fax 065061542

P.Iva 0412062100

www.rometec.it