



# SENTRY LEVEL-LENZ SIGHT LEVEL INDICATOR

## Manual Sampling Accessories

### MANUAL SAMPLING

The Sentry® Level-Lenz sight level indicator allows operators to visually monitor and confirm the level of liquid within a low-emission closed-loop sampling process, without disrupting the process.

Sentry Level-Lenz sight level indicators are safety tested to 150% of the rated pressure to assure safe, dependable service.

The Level-Lenz sight level indicator has threaded process connections, two viewing windows, and a body of 316 stainless steel. It features two double windows, one on the front and one on the side. Through the side window, the operator can flash light to enhance liquid level visibility, which can be viewed through either window.

The Level-Lenz sight level indicator can be used for hydrocarbon and water-based liquids.

#### MODEL

Level-Lenz

#### BENEFITS

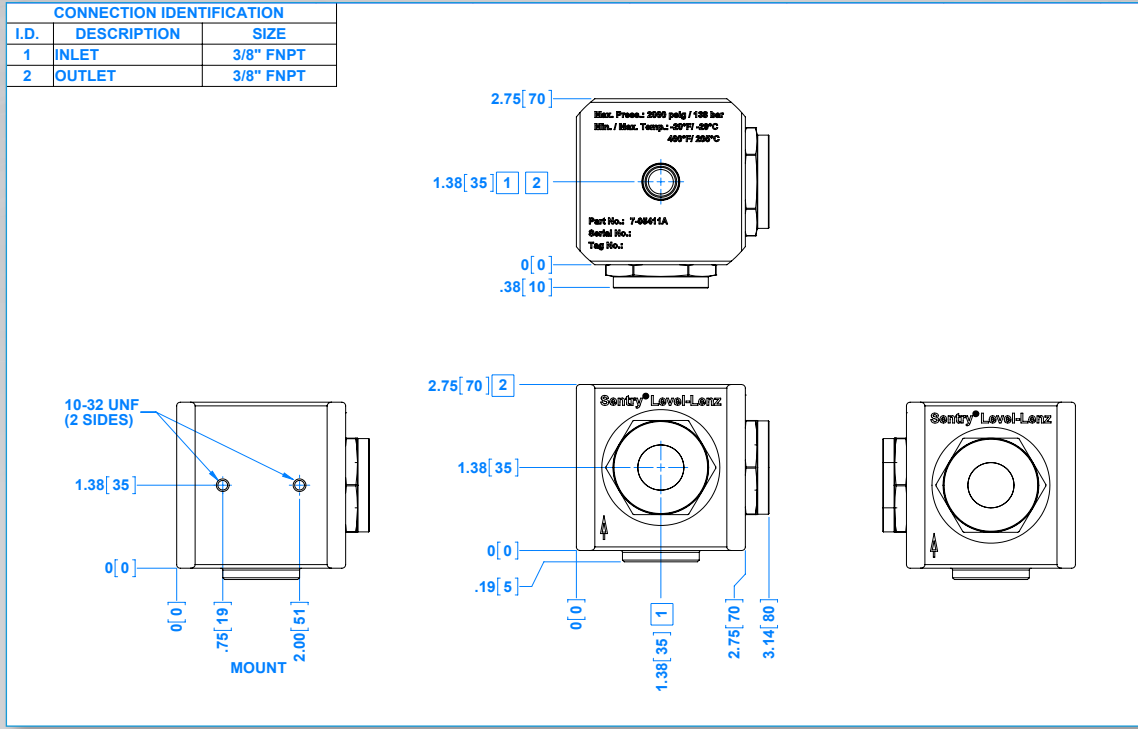
The Level-Lenz sight level indicator offers a simple and safe method to view liquid within a process, without interruption of the process. Unlike some other products on the market, it is a cost-effective, readily available solution that will not leak, assuring safety as well as the ability to obtain representative samples.

Value-priced, the indicator is manufactured of quality materials to assure long, dependable service. In addition to working in conjunction with Sentry low-emission sampling solutions, it can be used as a solution with other manufacturer sampling systems.

#### FEATURES

- Available with 3/8-inch NPT threaded connections
- Maximum operating pressure of 2000 psi (138 bar)
- Hydrostatically tested to 150% of rated pressure
- Maximum temperature range from -20° to 400°F (-28° to 205°C)
- One-piece 316 stainless steel body construction
- Dual-window sight glasses allow leak-free observation of fluid levels





**SPECIFICATIONS**

<b>materials</b>	body, cap: 316/316L stainless steel sight glass: soda lime silica glass elastomers: Viton® or Kalrez®
<b>mounting holes</b>	10-32 threads located on two sides
<b>process connection</b>	3/8 in. NPT
<b>pressure rating</b>	2000 psi (138 bar) MOP
<b>temperature range</b>	-20° to 400°F (-28° to 205°C)
<b>part numbers</b>	Viton: 7-05411A Kalrez: 7-05411B
<b>certifications/registrations</b>	CRN pending

Viton and Kalrez are registered trademarks of E. I. Du Pont de Nemours and Company.

[sentry-equip.com](http://sentry-equip.com)

966 Blue Ribbon Circle North, Oconomowoc, WI 53066 U.S.A. | +1-262-567-7256 | [sales@sentry-equip.com](mailto:sales@sentry-equip.com)

© 2016 Sentry Equipment Corp. All rights reserved. All product and company names are property of their respective owners. It is solely the responsibility of end users, through their own testing and analysis, to select products and materials suitable for their specific application requirements, ensure they are properly installed, safely applied and properly maintained, and to limit their use to their intended purpose. Improper selection, installation or use may result in personal injury or property damage.

S-LS-SPS-00476-0 4-16



COMPANY WITH  
QUALITY SYSTEM  
CERTIFIED BY DNV GL  
= ISO 9001 =