



Liquid & Slurry Sampling

Automatic Fixed Volume Samplers

Sentry ISOLOK API-PE

description

The Sentry® ISOLOK® API-PE sampler is an anvil piston instrument (API) probe sampler used in-line and specifically designed to handle the most demanding hydrocarbon liquid applications. The ISOLOK API-PE sampler employs an electric actuator for applications in which pneumatics are not available, and is ideally suited for sampling a variety of liquids, especially crude oil, condensate, and mixtures of oil and water. The ISOLOK API-PE is ideal for installing where product is well mixed.

models

ISOLOK API-PE

benefits

The electrically actuated ISOLOK API-PE sampler optimizes the accuracy and repeatability of hydrocarbon fluid sampling. The sampler offers superior performance across a wider process pressure and viscosity range and a long life, minimizing maintenance, accessories and service time needed.

The optional diamond-like carbon (DLC) coating protects the unit from abrasion and enhances resistance against H₂S, mercaptans, SO₂, mercury and more.

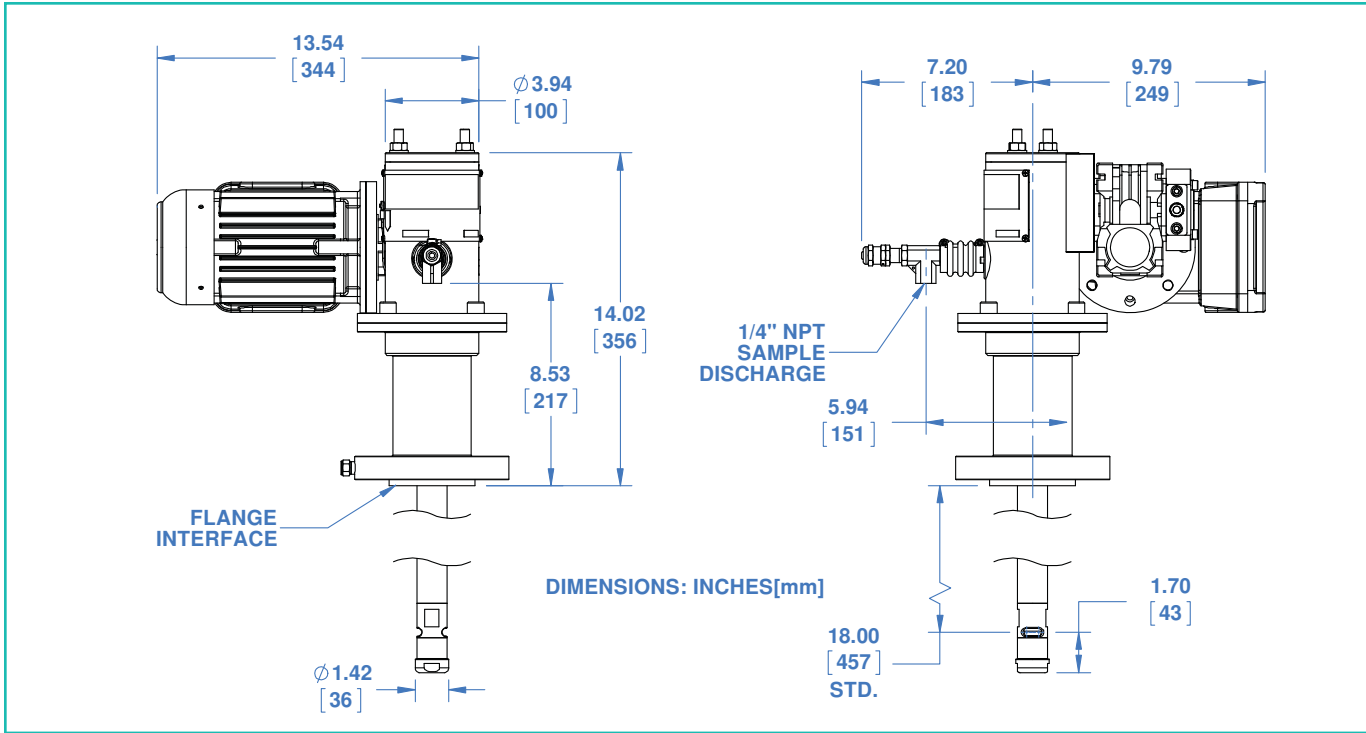


features

- Provides a consistent fixed volume, employ a scotch yoke design, and features next generation seal design
- Standard rate of 20 samples per minute; faster rates available
- Available in standard 316 stainless steel wetted materials or Super Duplex steel for superior performance in demanding sediment or hydrogen sulfide applications
- ATEX rated and complies with API 8.2, ISO 3171 and ASTM D 4177 standards
- Probe lengths accommodate 4- to 52-inch diameter pipes
- **Options:** Diamond-like carbon (DLC) coating; ATEX rated and safe area controllers with touchscreen interfaces; receivers/ constant pressure cylinders; weigh scales/level gauges; insertion & retraction tools; static mixers; switching valves; enclosures



Liquid & Slurry Sampling > Automatic Fixed Volume Samplers > Sentry ISOLOK API-PE



specifications	
fluids sampled	crude oil; refined hydrocarbons
viscosity range	0.5–8000 cSt
wetted materials	316 SS Standard (optional Duplex/Super Duplex 2205/2507 SS) or equivalent
optional coating on wetted parts	DLC (diamond-like coating) by DCD (dynamic compound deposition)
seal materials	carbon-filled PTFE seals with Viton O-rings (others available)
seal temperature	-4°F to 400°F (-20°C to 200°C)
pressure rating	1480 psig at 100°F (102 barg at 38°C)
ambient temperature	-4°F to 149°F (-20°C to 65°C); optional heater for temperatures below -4°F (-20°C)
probe length	lengths to accommodate 4 in to 52 in dia pipe
sample size (nominal)	1 cc per grab (2 cc per grab optional), ±1%
sampling rate	20 grabs/min*
flanges	2" Class 300/600 RF
weight (approx)	80 lb (36 kg)
utilities required	220–230 VAC, 50/60 Hz, 2.72 A, 0.63 KW

*Note Higher sampling rate (grabs/min) available.

S-LS-SPS-00420-0 4-15

It is solely the responsibility of end users, through their own analysis and testing, to select products and materials suitable for their specific application requirements, ensure they are properly installed, safely applied and properly maintained, and to limit their use to their intended purpose. Improper selection, installation, or use may result in personal injury or property damage.

966 Blue Ribbon Circle North
Oconomowoc, WI 53066 U.S.
+1-262-567-7256
sales@sentry-equip.com
www.sentry-equip.com



QUALITY MANAGEMENT SYSTEM
CERTIFIED BY DNV
ISO 9001:2008