



Gas



Liquid & Slurry



Solid & Powder



Steam & Water

# SENTRY FLO-LENZ SIGHT FLOW INDICATOR

## Manual Sampling Accessories

### MANUAL SAMPLING

The Sentry® Flo-Lenz sight flow indicator allows operators to confirm that a sample stream is flowing as specified through a process, without disrupting the process or flow. Sight flow indicators provide a safe way for operators to visually monitor high pressure and/or high temperature closed-loop sampling processes.

Sentry Flo-Lenz sight flow indicators are safety tested to 150% of the rated pressure to assure safe, dependable service.

The Flo-Lenz sight flow indicator has threaded process connections, two viewing windows, and a body of 316 stainless steel. Through double windows, one on the front and one on the side, a Teflon ball is visible at a flow rate beginning at approximately 50 cc/min. The operator can flash light through the side window to watch the flow.

The Flo-Lenz sight flow indicator can be used for hydrocarbon and water-based liquids.

#### MODEL

Flo-Lenz

#### BENEFITS

The Flo-Lenz sight flow indicator offers a cost-effective, safe method to view a process sample stream as it is flowing through a process, without interruption of the process or flow.

Value-priced, the indicator is manufactured of quality materials to assure long, dependable service.

#### FEATURES

- Available with 3/8-inch NPT threaded connections
- Maximum operating pressure of 2000 psi (138 bar)
- Hydrostatically tested to 150% of rated pressure
- Maximum temperature range from -20° to 400°F (-28° to 205°C)
- One-piece 316 stainless steel body construction
- Sight glasses allow observation of flow characteristics
- Includes dual windows for illumination of float ball

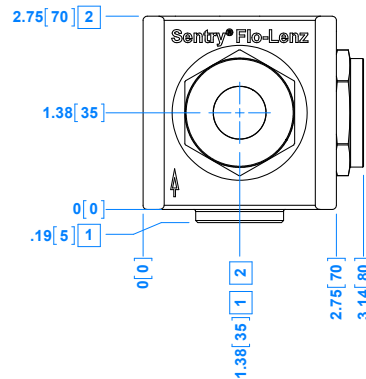
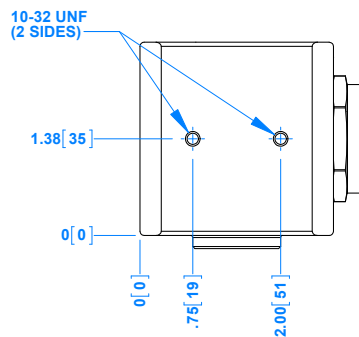
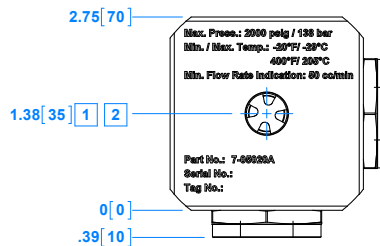


Sample. Monitor. Measure.

# SENTRY

Any Application. Anywhere.

CONNECTION IDENTIFICATION		
I.D.	DESCRIPTION	SIZE
1	INLET	3/8" FNPT
2	OUTLET	3/8" FNPT



## SPECIFICATIONS

<b>materials</b>	body, cap: 316/316L stainless steel float ball: Teflon® sight glass: soda lime silica glass elastomers: Viton® or Kalrez®
<b>mounting holes</b>	10-32 threads located on two sides
<b>process connection</b>	3/8 in NPT
<b>pressure rating</b>	2000 psi (138 bar) MOP
<b>temperature range</b>	-20° to 400°F (-28° to 205°C)
<b>flow rate</b>	50 cc/min to 500 cc/min
<b>particle size</b>	.06 in max
<b>part numbers</b>	Viton: 7-05020A Kalrez: 7-05020B
<b>certifications/registrations</b>	CRN pending

Teflon, Viton and Kalrez are registered trademarks of E. I. Du Pont de Nemours and Company.

[sentry-equip.com](http://sentry-equip.com)

966 Blue Ribbon Circle North, Oconomowoc, WI 53066 U.S.A. | +1-262-567-7256 | [sales@sentry-equip.com](mailto:sales@sentry-equip.com)

© 2016 Sentry Equipment Corp. All rights reserved. All product and company names are property of their respective owners. It is solely the responsibility of end users, through their own testing and analysis, to select products and materials suitable for their specific application requirements, ensure they are properly installed, safely applied and properly maintained, and to limit their use to their intended purpose. Improper selection, installation or use may result in personal injury or property damage.

S-LS-SPS-00468-0 4-16



COMPANY WITH  
QUALITY SYSTEM  
CERTIFIED BY DNV GL  
= ISO 9001 =