



*The
Sampling
Connection*



REFILLABLE ION EXCHANGE COLUMN

MODEL RC-100 REFILLABLE ION EXCHANGE RESIN COLUMN

Efficient and Responsive Cation Conductivity Results

Features

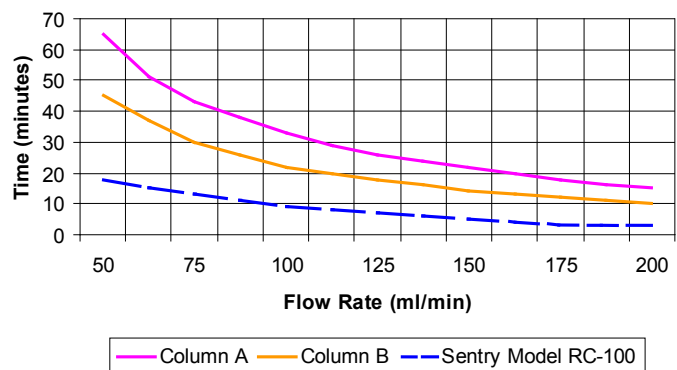
- Refillable, clear plastic column permits easy resin replacement
- Column design provides optimum fluid velocity with increased resin efficiency
- Designed especially for flow rates common to water chemistry analyzers
- Minimizes lag time required to detect chemical upset
- No PVC used; wetted materials will not leach chlorides or plasticizers
- End fittings are 1/8" quick disconnects

Description

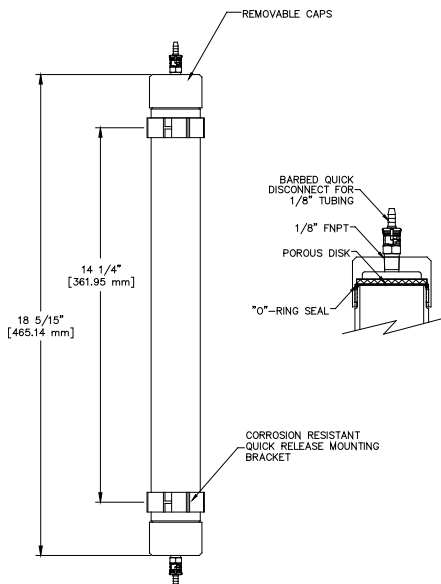
Sentry's refillable ion exchange resin column RC-100 is especially designed to minimize the column's dead volume assuring highly representative sampling. After a chemical upset, Sentry's column can produce a representative sample (at a flow rate of 200 cc/min) within 4 minutes while others can take up to 16 minutes.

In addition to reducing dead volume, the Sentry refillable ion exchange column's design also produces better flow distribution. Poor flow distribution and velocity can skew cation conductivity results by up to 0.1 uS/cm. The Sentry design minimizes channeling and achieves a higher resin efficiency than competitive columns with inefficient column diameters.

Time Response vs. Flow rate



RESIN COLUMN TECHNICAL DATA



SPECIFICATIONS

Operating Temperature	180°F (82°C) maximum
Operating Pressure	100 psig @ 100°F (7 barg @ 38°C) 60 psig @ 180°F* (4 barg @ 82°C)
Cation Capacity	1000 grains as CaCO ₃
Resin Volume	0.020 ft ³ (565 cc)
Flow	200 cc/min recommended; 500 cc/min maximum
Resin	Cation resin with color-indicating dye, other resin types available
Shipping Weight	column + resin: 2.4 lbs. (1.1 kg)
Wetted Materials	Polycarbonate, Polypropylene, Delrin®

*Design safety factor is 2-1/2 times this rate.

PART NUMBERS

Model RC-100 Resin Column with initial charge of resin, mounting brackets and two sets of quick disconnects	7-00816B
Spare Part: Cation Resin Refill Bag	2-03972A
Corrosion Proof, Quick Disconnect Mounting Bracket	4-04869A
Porous Disk	2-03892A
O-Ring Seal	4-04820C
Delrin® Barbed Quick Disconnects (includes two each male and female coupling), (Stainless Steel fittings available on request)	6-02503B

WARNING

It is solely the responsibility of the end-user, through its own analysis and testing, to select products and materials suitable for their specific application requirements, ensure they are properly installed, safely applied, properly maintained, and limit their use to their intended purpose. Improper selection, installation, or use may result in personal injury or property damage.



SENTRY EQUIPMENT CORP

PO Box 127
Oconomowoc, WI 53066 USA
Phone: 262-567-7256
Fax: 262-567-4523

E-mail:
sales@sentry-equip.com

Website:
www.sentry-equip.com

For further information, contact:



MODEL RC-200

MODEL RC-400

Refillable Ion Exchange Resin Columns



REFILLABLE ION EXCHANGE COLUMNS

Features

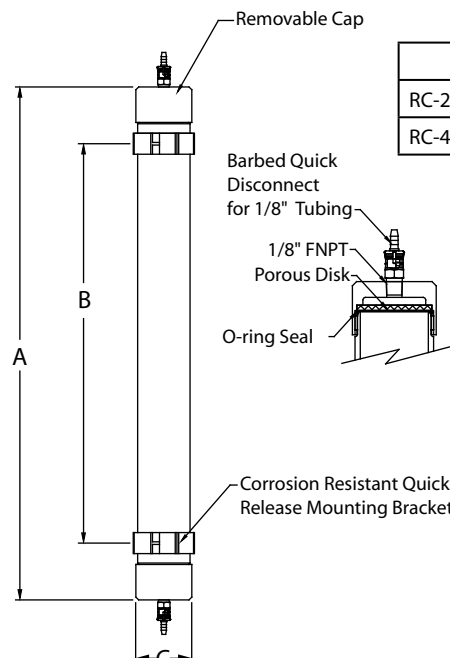
- Refillable, clear plastic column makes resin replacement easy and economical
- No PVC used; wetted materials will not leach chlorides or plasticizers
- End fittings are 1/8" quick disconnects

Description

Sentry's refillable ion exchange resin columns are designed to meet the demands of special applications, such as the need for large volumes of resin to extend the time between resin replacement or regeneration.* The resin columns have removable caps at both ends of the column to assist in refilling or regeneration of the resin. Additionally, porous discs are installed at both ends to contain the resin, assist in flow distribution and reduce channeling.

*See Sentry Bulletin 6.1.1 for standard, most commonly used Resin Column (RC-100).

RESIN COLUMN TECHNICAL DATA



	DIM A	DIM B	DIM C
RC-200	13¼" (337 mm)	8⅞" (222mm)	3⅝" (79 mm)
RC-400	23⅞" (598 mm)	18⅞" (481 mm)	3⅝" (79 mm)

SPECIFICATIONS

	RC-200	RC-400
Operating Temperature	180° F (82° C) maximum	
Operating Pressure	100 psig @ 100° F (7 barg @ 38° C) 60 psig @ 180° F (4 barg @ 82° C)	
Flow	200 cc/min recommended; 500 cc/min maximum	
Wetted Materials	Polycarbonate, Polypropylene, Acetal	
Resin	Cation resin with color-indicating dye	
Resin Volume	0.040 ft ³ (1130 cc)	0.080 ft ³ (2260 cc)
Cation Capacity	2000 grains as CaCO ₃	4000 grains as CaCO ₃
Shipping Weight (column + resin)	4.25 lbs. (2 kg)	6.5 lbs. (3 kg)

PART NUMBERS

	RC-200	RC-400
Resin Column with initial charge of resin, mounting brackets and two sets of quick disconnects	7-04037A	7-04037B
Cation Resin Refill Bag (0.022 ft ³)	2-03972A (2 required)	2-03972A (4 required)
Corrosion Proof, Quick Disconnect Mounting Brackets	4-05263A	4-05263A
Standard Cap	2-07030C	2-07030C
Kit (includes two each O-rings and porous disks)	6-02503D	6-02503D
Acetal Barbed Quick Disconnects (includes two each male and female coupling)	6-02503B	6-02503B

Stainless Steel fittings available on request

▲WARNING

It is solely the responsibility of the end-user, through its own analysis and testing, to select products and materials suitable for their specific application requirements, ensure they are properly installed, safely applied, properly maintained, and limit their use to their intended purpose. Improper selection, installation, or use may result in personal injury or property damage.



SENTRY EQUIPMENT CORP

966 Blue Ribbon Circle North
Oconomowoc, WI 53066 USA
Tel: 262-567-7256 • Fax: 262-567-4523

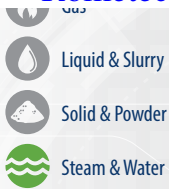
E-mail:
sales@sentry-equip.com

Website:
www.sentry-equip.com



For further information, contact:

SENTRY W7900 SERIES RESIN COLUMNS Cation Exchange Resin Columns



SAMPLE CONDITIONING

Sentry® refillable resin columns are a low-cost alternative to disposable ion exchange cartridges. An optional auto shut-off quick disconnect kit with 1/4-inch ID tube connections provides isolation during resin replacement.

Options include three different sizes to interchange with the most popular sized disposable cartridges. Each resin column includes an initial charge of pre-measured color-indicating hydrogen-form cation resin.

MODELS

W7901: 24 inch long (625 cc volume) with 1/4 inch FNPT in/out and vent connections

W7901L44: 24 inch long (625 cc volume) without vent connections

W7901S44: 12 inch long (290 cc volume) without vent connections

W7902: exact replacement for disposable cartridge used with IWT Metex II holder

W7902NPT: replacement for disposable cartridge with 1/4 inch FNPT end caps that can be used with optional quick disconnect kit

W7903: exact replacement for disposable cartridge on Rosemount Condensate Analyzer Model CH-16D/E

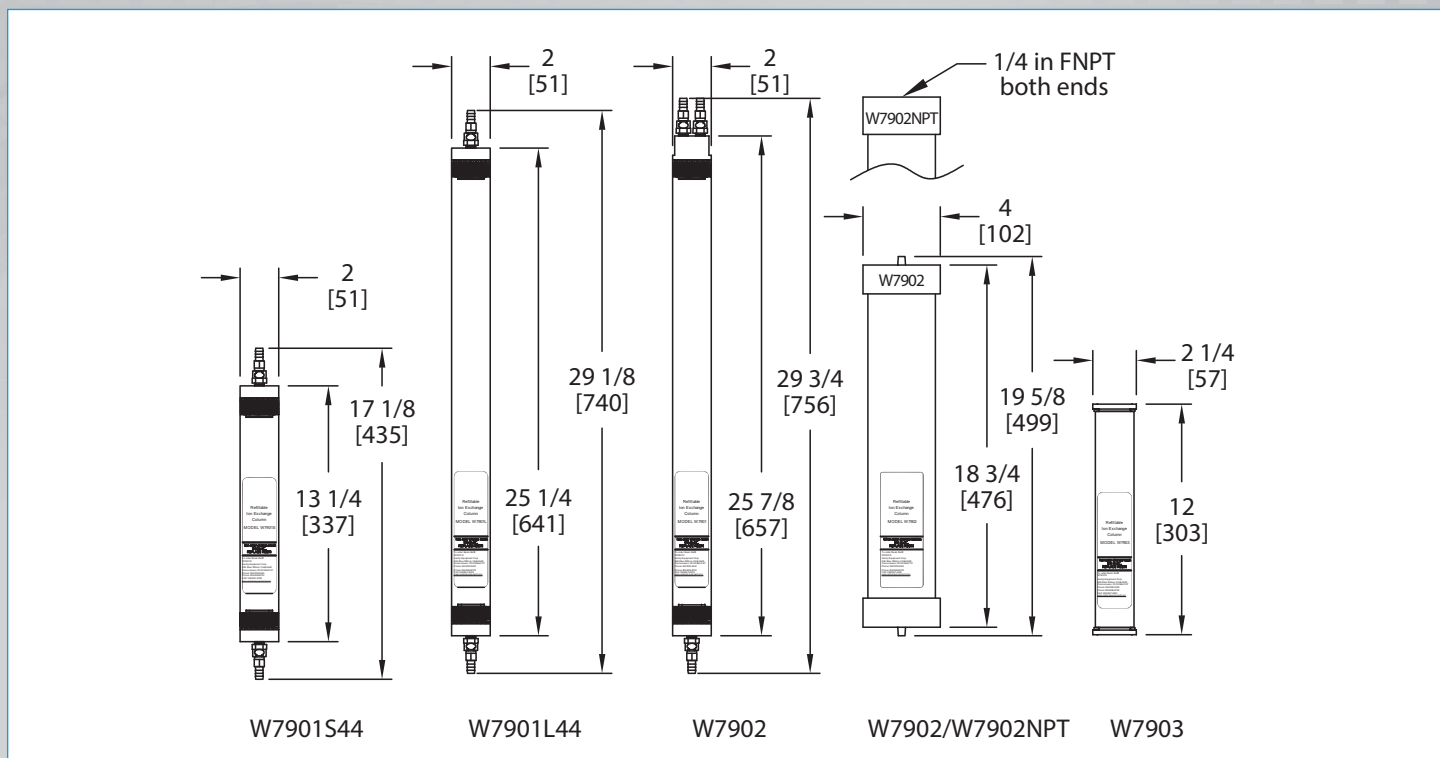
BENEFITS

Low-cost alternative to disposable ion exchange cartridges with three different options to accommodate most popular cartridge sizes. Slender design ensures plug-free flow and reduces channeling.

FEATURES

- Optional quick disconnect kit isolates column from source in either up or down flow direction
- Corrosion-resistant mounting clamps included with W7901x models





SPECIFICATIONS

model	resin volume	cation capacity (grains as CaCO ₃)	p/t limit	flow (ccm)	resin life*	standard connections (FNPT)		
						inlet	outlet	vent
W7901	625 cc	900	100 psi at 125°F (6.9 bar at 51.7°C)	200	3–6 months	1/4 in	1/4 in	1/4 in
W7901L44	625 cc	900	100 psi at 125°F (6.9 bar at 51.7°C)	200	3–6 months	1/4 in	1/4 in	n/a
W7901S44	290 cc	425	100 psi at 125°F (6.9 bar at 51.7°C)	150	2–4 months	1/4 in	1/4 in	n/a
W7902	2000 cc	2800	100 psi at 125°F (6.9 bar at 51.7°C)	200	6–12 months	n/a	n/a	n/a
W7902NPT	2000 cc	2800	100 psi at 125°F (6.9 bar at 51.7°C)	200	6–12 months	1/4 in	1/4 in	n/a
W7903	450 cc	650	10 psi at 125°F (.69 bar at 51.7°C)	150	2–4 months	n/a	n/a	n/a

* Resin life is a function of electrolyte concentration and flow rate through column.

sentry-equip.com

966 Blue Ribbon Circle North, Oconomowoc, WI 53066 U.S.A. | +1-262-567-7256 | sales@sentry-equip.com



© 2018 Sentry Equipment Corp. All rights reserved. All product and company names are property of their respective owners. It is solely the responsibility of end users, through their own testing and analysis, to select products and materials suitable for their specific application requirements, ensure they are properly installed, safely applied and properly maintained, and to limit their use to their intended purpose. Improper selection, installation or use may result in personal injury or property damage.

COMPANY WITH
QUALITY SYSTEM