



CORROSION PRODUCTS SAMPLER MODEL CPS

Quantify and Identify Corrosion Products

Features

- New electronic totalizer allows reset to zero
- Easy-to-use filter holder
- Measure effectiveness of chemical treatment
- Identify sludge traps where corrosion products accumulate
- Bypass capability allows isokinetic sample flow rates

Background

The control and prevention of corrosion are primary concerns of water chemists in the power plant. Left uncontrolled, corrosion can result in serious equipment failures. Of equal importance, deposition of corrosion products in the turbine or boiler can significantly reduce both capacity and efficiency of the plant.

Since corrosion is a dynamic process, it is difficult to get a representative sample by normal grab sample methods. An integrating sampler is required. This means using filters to collect a continuous sample over a period of time, and measuring the amount of corrosion products which are captured by the filters.

A particulate filter is used to collect undissolved matter, and dissolved species are often collected via special cation and anion filters.

Description

The Sentry Corrosion Products Sampler (CPS) is a discrete module which can be mounted in a central sample panel or as a stand-alone unit at the sample source.

Major components include:

1. An easy-to-use, high pressure filter holder capable of containing a particulate filter, plus a combination of cation and anion filters.
2. A digital totalizing meter which is designed for high accuracy at very low flow rates.
3. Unit can either run on AC power or remotely with an optional 3-month-capacity battery. When the unit is plugged into AC, the battery is charged.

The standard CPS is designed for portability so that it can be easily moved around the plant to conduct studies of corrosion product generation and transport within the system.

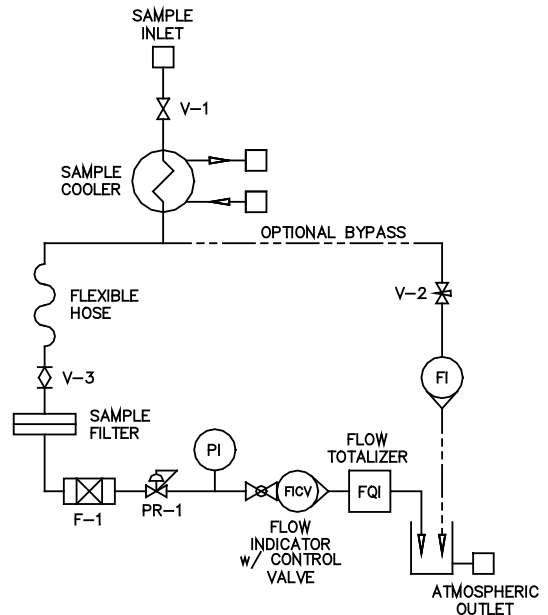
MODEL CPS SPECIFICATIONS

Maximum Inlet Pressure	2850 psig (197 bar) standard (contact factory for higher pressure ratings)
Maximum Sample Temperature (without sample cooler)	131°F (55°C)
Sample Flow Range	2 to 330 cc/min
Bypass Flow Range	100 to 1300 cc/min
Wetted Materials	316 SS, PTFE, Viton®
Maximum Back Pressure	Atmospheric
Dimensions	12" (30.5 cm) wide x 13" (33 cm) deep x 22" (55.9 cm) tall
Electrical90 - 264 VAC, 47 - 63 Hz, 10 A max.
Battery	Run-time approximately 3 months (battery life based on continuous usage with a new, fully charged battery)

Model #	Description	Power Source	Unit Weight
CPS-10A	Single stream with bypass; without sample cooler	A/C	51 lbs (23 kg)
CPS-10B	Single stream with bypass; without sample cooler	A/C and battery	85 lbs (39 kg)
CPS-11A	Single stream with bypass and sample cooler	A/C	63 lbs (28 kg)
CPS-11B	Single stream with bypass and sample cooler	A/C and battery	97 lbs (44 kg)
CPS-12A	Single stream; no bypass; without sample cooler	A/C	50 lbs (22 kg)
CPS-12B	Single stream; no bypass; without sample cooler	A/C and battery	84 lbs (38 kg)

Flow Diagram - Single Stream

(drawing shown for reference only)



Available Options

- Panel mount or free-standing enclosure
- Sample cooling
- Speed loop (bypass circuit to maintain velocity through sample line)
- Multiple modules in one enclosure
- Pressure reduction before the sampler
- Lease or purchase
- Higher pressure rating

WARNING

It is solely the responsibility of the end-user, through its own analysis and testing, to select products and materials suitable for their specific application requirements, ensure they are properly installed, safely applied, properly maintained, and limit their use to their intended purpose. Improper selection, installation, or use may result in personal injury or property damage.



SENTRY EQUIPMENT CORP

PO Box 127
Oconomowoc, WI 53066 USA
Phone: 262-567-7256
Fax: 262-567-4523

E-mail:
sales@sentry-equip.com

Website:
www.sentry-equip.com

For further information, contact:

Rometec srl

Via Alessandro Minuziano, 87 - 89

00128 - Roma

Tel 06-5061635 Fax 065061542

P.Iva 0412062100

www.rometec.it