



*The  
Sampling  
Connection*

## **ISOLOK<sup>®</sup> SERIES SAE BULK SOLIDS SAMPLER**



**ISOLOK<sup>®</sup> SERIES SAE SAMPLER**

### ***Large Capacity Sampler Handles Large Diameter Particles***

#### ***Features***

- Collects samples from slide or vertical drop chutes or direct from open processes
- Single moving part collects accurate and repeatable 100 cc sample volume
- Particle sizes up to 3/4" / 19 mm are accommodated without shearing or degrading sample material
- Heavy 316 stainless steel construction features chrome-hardened body bore
- Field-replaceable, application-specific seals include EPDM, polyurethane elastomers and more
- Extended body with 4" / 10 cm plunger stroke allows for sampling well inside heavy-body/double-wall vessels
- Heavy-duty 3" / 7.6 cm clamp ferrule & smooth-bore mounting port for easy installation

#### ***Description***

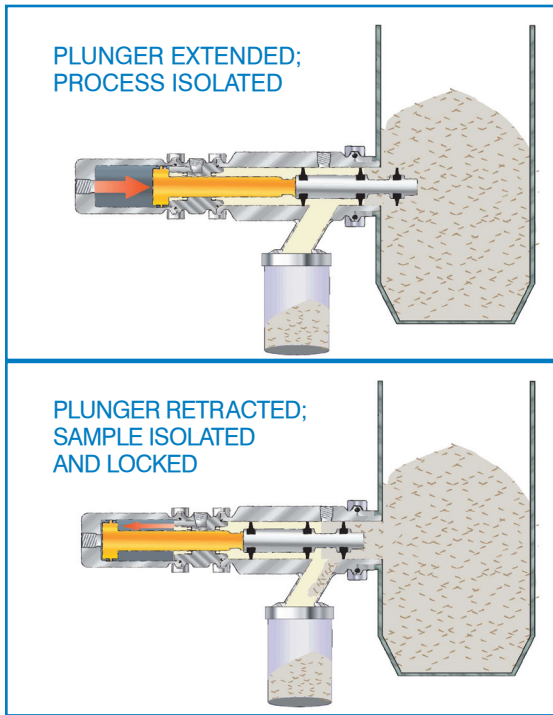
*ISOLOK<sup>®</sup> Series SAE Large Capacity Sampler captures a volume of approximately 100 cc per cycle. Particle sizes up to 3/4" (19 mm) are accommodated without shearing or degrading the sampled material. An auxiliary top body port enables air ejection of non-free flowing materials.*

An air cylinder extends a single plunger into the process material, then immediately withdraws, carrying a fixed amount of sample trapped in an annular ring between plunger seals. Process or flow ports are always closed, preventing leaks or product loss. There are no tubes or passages to become clogged. The gravity-discharged sample is transferred directly to a closed container. Sample integrity is maintained while contamination of personnel or facility is eliminated.

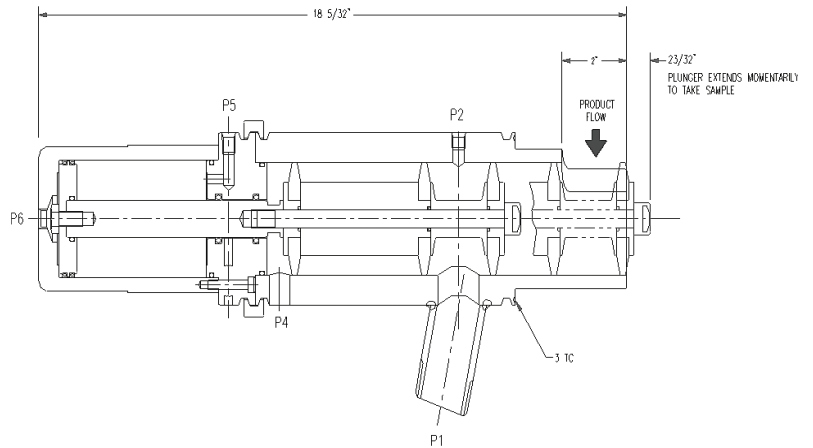
*ISOLOK<sup>®</sup> Series SAE Samplers can be used for composite, batch or analysis sampling techniques. Composite sampling is accomplished by obtaining a series of precisely measured material samples at set intervals or adjusted in response to product flow. Samples can be collected in common or individual containers. Batch or analysis sampling in response to immediate need or on-line process control interface is facilitated using single or rapid-cycling material withdrawal.*

A complete line of programmable automatic controls is available for use in general purpose as well as hazardous environments.

## SAMPLING PROCESS



## ISOLOK® SAE TECHNICAL DATA



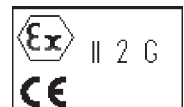
ISOLOK® SERIES SAE SAMPLER  
(EXTENDED NOSE SHOWN)

## SPECIFICATIONS

Sample Volume per Cycle	6.1 cu. in. / 100 cc
Maximum Particle Size	0.75" / 19 mm
Operating Cycle Range	maximum 12 samples / minute
Body Material	316 stainless steel; other alloys available
Plunger Material	316 stainless steel; other alloys available
Plunger Bore x Stroke	2.25" x 4" / 57 mm x 102 mm
Plunger Seal Material	polyurethane, EPDM & others available
Actuator Material	316 stainless steel; other alloys available
Actuator Seal Material	filled Teflon®; others available
Static Seal Material	fluoroelastomer; others available
Sample Temperature Range	-275° to 575° F / -170° to 302° C; depending on seal material & duty cycle
Ambient Operating Temperature Range	-5° to 131° F / -20° to 55° C; depending on seal material
Line Mount Adapter Type	3.0" / 7.6 cm clamp ferrule
Compressed Air Requirement	0.70 SCFM @ 30 psi / maximum cycle range
Overall Dimensions, length x diameter, less accessories	18.19" x 6.5" / 462 mm x 165 mm
Net Weight, not including controller or accessories	29 lbs. / 13.2 kg

### ⚠ WARNING

It is solely the responsibility of the end-user, through its own analysis and testing, to select products and materials suitable for their specific application requirements, ensure they are properly installed, safely applied, properly maintained, and limit their use to their intended purpose. Improper selection, installation, or use may result in personal injury or property damage.



### SENTRY EQUIPMENT CORP

PO Box 127  
Oconomowoc, WI 53066 USA  
Phone: 262-567-7256  
Fax: 262-567-4523

**E-mail:**  
sales@sentry-equip.com

**Website:**  
www.sentry-equip.com

For further information, contact:

**Rometec srl**

Via Alessandro Minuziano, 87 - 89  
00128 - Roma

Tel 06-5061635 Fax 065061542

P.Iva 0412062100

**www.rometec.it**

*The Sampling Connection*