



*The  
Sampling  
Connection*



## MODEL B1 AUTOMATIC SAMPLER

### *Automatically Samples Free-Flowing and Non-Free Flowing Bulk Solids*

#### *Features*

- Total disassembly to insure complete cleanup
- Auger reverses for clean-out of settled product in aperture opening
- Constructed of 316 stainless steel
- Close tolerance between the auger and the tube

#### *Options*

- DC or explosion-proof motors
- Nickel-impregnated Teflon<sup>®</sup> for a non-stick surface
- Available in a model that is conformant to 3-A Sanitary Standards (through third party verification)

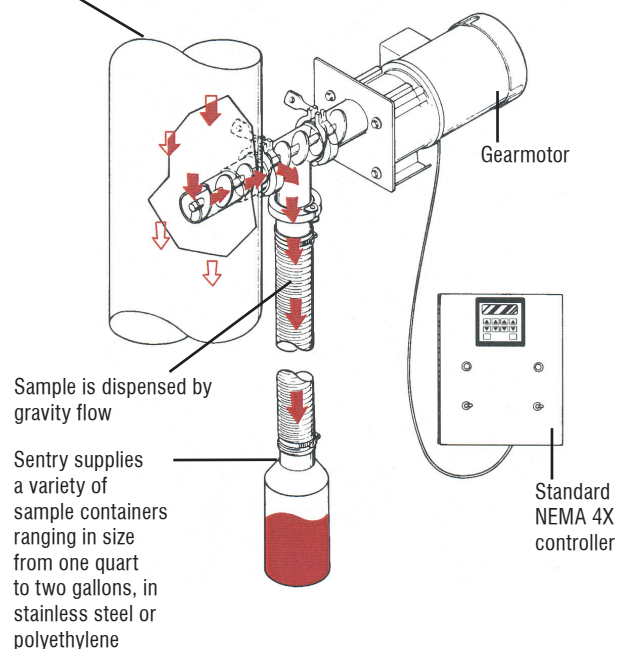


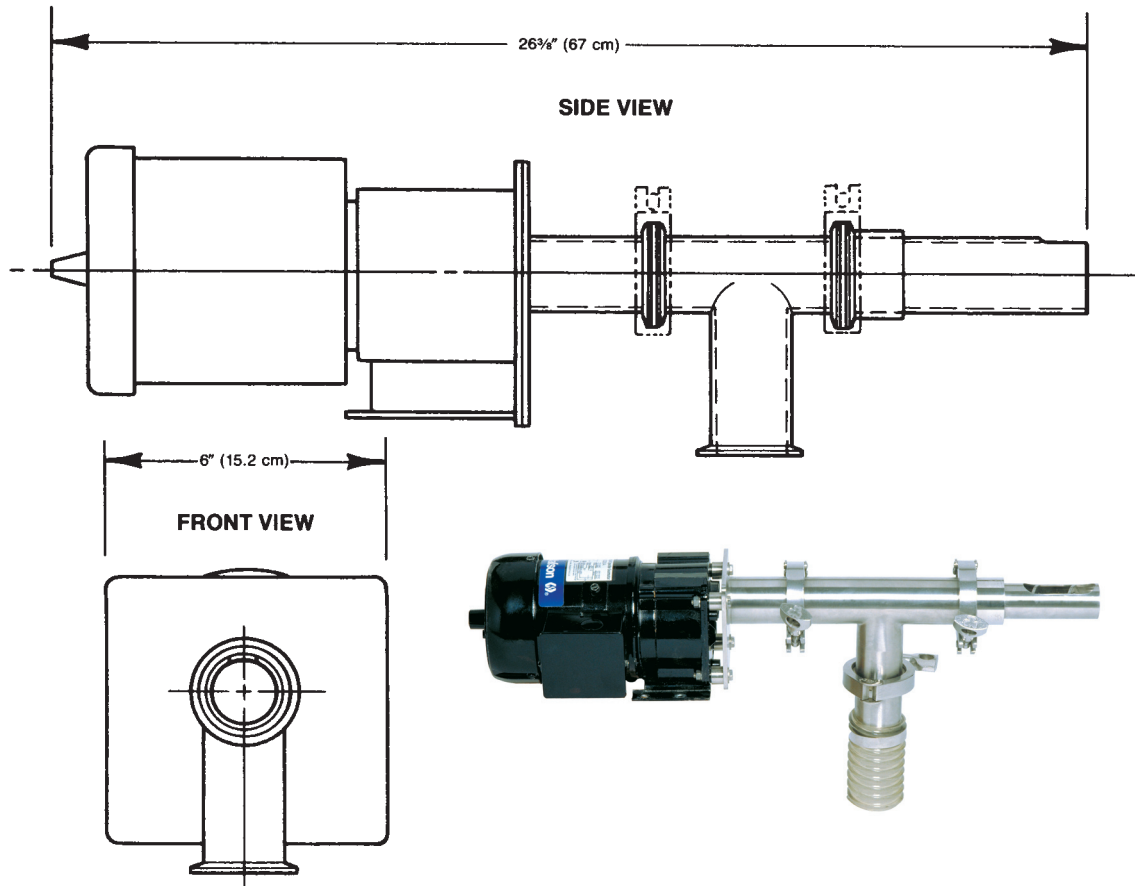
#### *Description*

The Model B1 provides spot or strip sampling of free-flowing and non-free-flowing materials (granules, powders, flakes, powdered milk and pharmaceutical products) in gravity chutes and hoppers.

The Model B1 samples when a gearmotor-driven auger draws the product to the discharge point.

Most common products sampled with this model are powdered milk and food products that are granules, flakes or pellets





### SPECIFICATIONS

Basic Electrical Requirements . . . . .	115 VAC, single phase, 50 Hz or 60 Hz; control box fused to 2 amps
Motor . . . . .	1/6 HP AC T.E.F.C.
Air Requirements . . . . .	none
Quantity of Sample . . . . .	determined by flow rate, aperture size and amount of time the auger runs
Product Size . . . . .	10 micron to 1/4" / 6.4 mm; larger sizes upon request
Recommended Location of Sampler . . . . .	vertical gravity lines
Suggested Connection to Collection Point . . . . .	rigid metal or flexible tubing to a collection container or multi-position collection cabinet
Materials or Construction . . . . .	316 stainless steel sampling tube and auger and FDA approved nylon
Temperature Range . . . . .	up to 180°F / 82°C

**WARNING**

It is solely the responsibility of the end-user, through its own analysis and testing, to select products and materials suitable for their specific application requirements, ensure they are properly installed, safely applied, properly maintained, and limit their use to their intended purpose. Improper selection, installation, or use may result in personal injury or property damage.



**SENTRY EQUIPMENT CORP**

PO Box 127  
Oconomowoc, WI 53066 USA  
Phone: 262-567-7256  
Fax: 262-567-4523

**E-mail:**  
sales@sentry-equip.com

**Website:**  
www.sentry-equip.com

For further information, contact: