



LIQUID LEVEL SWITCHES GENWEC

WV57601

FUNCTION:

The GENWEC float switch is mounted horizontally.

The float lever carries a permanent magnet which is opposed by a similar magnet mounted in the switch housing. The magnets having the same pole directed toward each other are separated by a non magnetic diaphragm. The glandless construction offers excellent sealing.



FEATURES:

- Easy to install.
- Very high flexibility.

TECHNICAL SPECIFICATIONS:

Switch housing: Stainless Steel AISI-304.

Wetted parts: Stainless Steel AISI 316.

Max. Working pressure: 30 bar.

Standard flange to DIN and ANSI / ASME.

Max. Working temperature:

Fluid 225°C

Ambient 80°C

Electrical gland connection: M16 x 1,5 mm

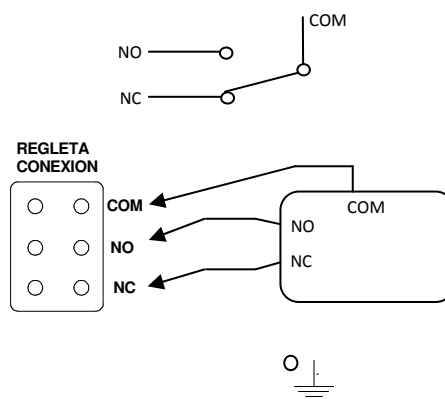
Gland: IP 68, with norm on request cable 3x1,5 or 4x1,5 mm

(3 Mts)

IP 68 Max. gland pressure: 5 bar.

SWITCH:

21(8)A 250V~ 1E4
16(4)A 250V~ 25E3 T85μ





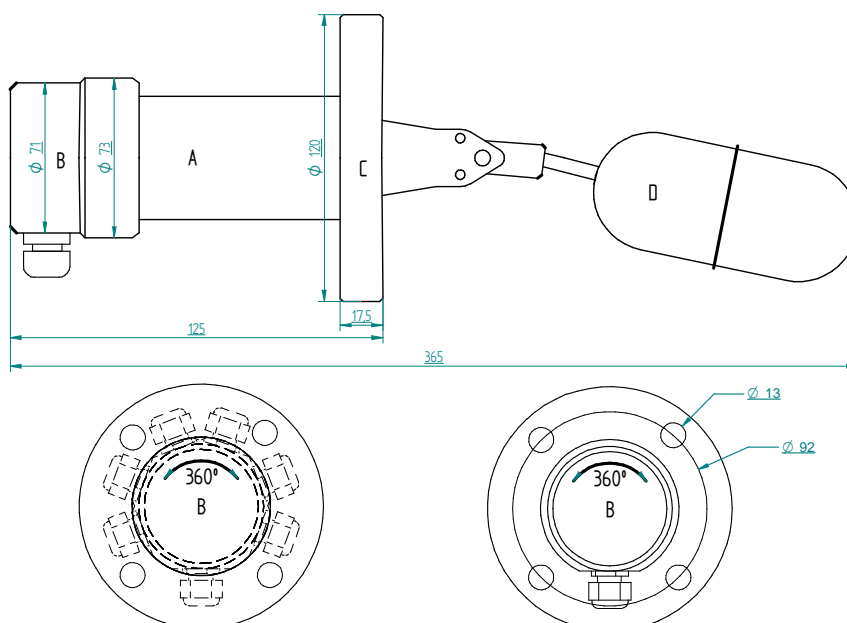
LIQUID LEVEL SWITCHES GENWEC

WV57601

CONSTRUCCIÓN:

The GENWEC float switch consists of 3 main parts:

- A/B. Housing with electrical switch. **(B part can turn 360° for easy installation).**
- C. Mounting flange
- D. Float diameter 60 x 120 (Diameter 64 mm with welding).



PRODUCT DESCRIPTION:

Level switches are designed to PUMP/VALVE CONTROL.

One switch starts the pump by activating a holding relay and the other switch brakes the holding relay when the desired liquid level has been reached.

CUSTOMER SEGMENT:

- Power plants, incineration units, combustion units..
- General food industry..
- Shipbuilding.
- Pharmaceutical industry.
- Water treatment plants.
- Chemical industry.
- General liquid handling industry.

GENWEC WASHROOM, S.L. Rda. Shimizu n°2 nave 4 Pol. Ind. Can Torrella Vacarisses (Barcelona) España.

www.valvulasct.com comercial@valvulasct.com

GENWEC WASHROOM S.L. reserves the right to modify and to create products and their Specifications without prior notice.

Revised by: CSS_v1 (10/2015)

