

# MODEL i400 CARD CAGE

PRODUCT LIST > i400 >

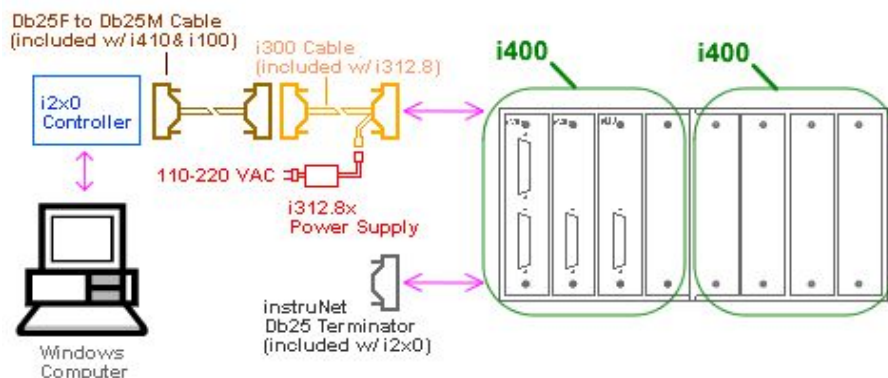
The i400 Card Cage provides the following features:

- Each i400 supports up to four i4xx cards
- Multiple i400's can be bolted together by the end user, side-by-side, to create an 8, 12, or 16 slot system
- Solid aluminum construction
- The i400 is 15 x 11 x 14 cm in size (6 " x 4.5" x 5.6", d/w/h)
- Place on desktop; or affix to DIN rail, 19" rack, or wall
- Includes Hardware Kit that enables one to bolt multiple i400's side-by-side; and to bolt i400 to wall.
- See Also:
  - i4xx Card Cage System
  - i2x0 instruNet DSP Card
  - instruNet Network
  - Typical instruNet Systems
  - Designing Your System



*i400 Card Cage  
(no cards installed)*

## Typical System with two i400's



## Installation

- [How to install instruNet Hardware & Software](#)
- [How to bolt together i400's side-by-side to form a  \$\geq 5\$  slot card cage](#)
- [How to Install i4xx Cards into i4xx Card Cage](#)
- [How to attach i400 to DIN rail](#)
- [How to attach i400 to 19" rack](#)
- [How to attach i400 to wall without rear access](#)
- [How to attach i400 to wall with rear access](#)
- [Mechanical drawing of i400 aluminum housing](#)