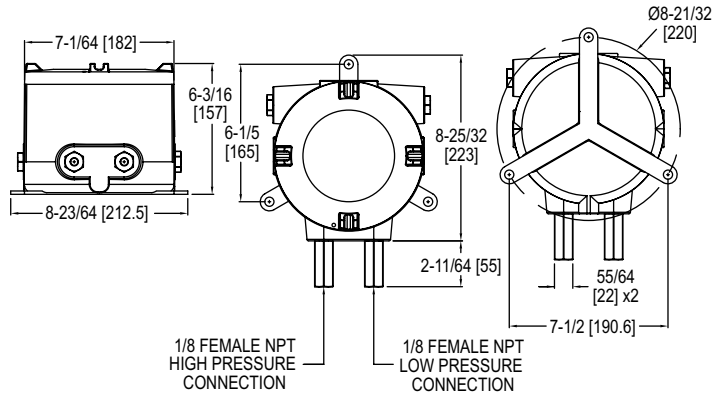


ATEX/IECEX APPROVED MAGNESENSE® DIFFERENTIAL PRESSURE TRANSMITTER

Series MSX Flameproof ATEX/IECEX Enclosure



AT-102NA-MSX, shown with VS0 port/valve configuration

The **Series AT-MSX ATEX/IECEX Approved Magnesense® Differential Pressure Transmitter** is an extremely versatile transmitter for monitoring pressure and air velocity in hazardous areas. This transmitter is loaded with features such as: field selectable English or metric ranges, field upgradeable LCD display, adjustable dampening of output signal, and the ability to select a square root output for use with pitot tubes and other similar flow sensors. Along with these features, the piezo sensing technology provides long-term performance and enables the Magnesense® transmitter to be the solution for a myriad of pressure and flow applications. Flameproof enclosures are available in aluminum and can include a glass window for viewing process on the LCD.

BENEFITS/FEATURES

- All the capabilities and value of the MSX in an ATEX/IECEX approved enclosure
- Long service life and minimized downtime due to durable, rugged housing and high-quality components
- High impact strength and high temperature rated for applications where hazardous environments exist

APPLICATIONS

- Monitor pressures in ducts, rooms, or total building pressure
- Filter monitoring
- Local indication of clean room pressures with process signal sent to control room
- Hazardous area pressure measurement and transmitter

SPECIFICATIONS

Service: Air and non-combustible, compatible gases.
Wetted Materials: Consult factory.
Accuracy: ±1% FSO.
Stability: ±1% FSO/year.
Temperature Limits: -4 to 158°F (-20 to 70°C).
Pressure Limits: See chart.
Power Requirements: 10-36 VDC (2-wire), 17-36 VDC or isolated 21.6-33 VAC (3-wire).
Output Signal: 4-20 mA (2-wire); 0-10 V or 0-5 V selectable (3-wire).
Response Time: Instantaneous (default) or 3 s (selectable).
Zero and Span Adjustments: Digital push-button.
Loop Resistance: Current output: 0 to 1250 Ω max.; Voltage output: min. load resistance 1 kΩ.
Current Consumption: 21 mA max continuous.
Display: 4 digit LCD.

Electrical Wiring: 4-wire removable European style terminal block for 16-26 AWG.
Mounting Orientation: Pressure sensor measurement unaffected by orientation.
Enclosure Rating: IP66.
Housing Material: Aluminum.
Finishing: Texture epoxy coat RAL7038.
Process Connections: 1/8" NPT female brass (SS optional).
Electrical Connections: Two 1/2" NPT female. Cable gland not included.
Weight: 12.3 lb (5.6 kg).
ATEX Certificate: INERIS 21ATEX0033X.
IECEX Certificate: IECEx INE 21.0064X.
Compliance: ATEX: CE 0080 Ex II 2G Ex db IIC T5, T6 Gb -60°C ≤ Ta ≤ +50°C (T6) -60°C ≤ Ta ≤ +60°C (T5); II 2D Ex tb IIIC T75°C Db
 IECEx: Ex db IIC T5, T6 Gb -60°C ≤ Ta ≤ +50°C (T6) -60°C ≤ Ta ≤ +60°C (T5) Ex tb IIIC T75°C Db.

MODEL CHART											
Example	AT	-102NA	-MSX	-1	0	-IN	-LCD	-W	1VS0	12	AT-102NA-MSX-10-IN-LCD-W1VS012
Enclosure	AT										ATEX/IECEX approved enclosure
Housing Material		102NA									Aluminum enclosure
Series			MSX								Magnesense® differential pressure transmitter
Direction				1							Uni-directional
				2							Bi-directional
Pressure Range					0						0.5 in w.c., 125 Pa, 12 mm w.c.
					1						1 in w.c., 250 Pa, 25 mm w.c.
					2						5 in w.c., 1250 Pa, 125 mm w.c.
					3						28 in w.c., 7000 Pa, 700 mm w.c.
Units of Measure						IN					Inches of water column
						PA					Pascal
						MM					Millimeters of water column
Display							LCD				With LCD
Cover								B			Blind
								W			Glass window
Port/Valve Material and Port/Valve Configurations									1VS0		Brass and STD port/no valve
									1VS1		Brass and STD port/STD valve
									1VS2		Brass and STD port/LD valve
									2VS0		Stainless steel and STD port/NO valve
									2VS1		Stainless steel and port/STD valve
									2VS2		Stainless steel and STD port/LD valve
Cable Entry										12	1/2" NPT ANSI/ASME B1.20.1

PRESSURE LIMITS		
Port/Valve	One Pressure Port Connected	Both Pressure Ports Connected
VS0	10 kPa	10 kPa
VS1	20 kPa	15 kPa
VS2	40 kPa	20 kPa

USA: California Proposition 65

WARNING: This product can expose you to chemicals including Lead, which is known to the State of California to cause cancer and birth defects or other reproductive harm. For more information go to www.P65Warnings.ca.gov