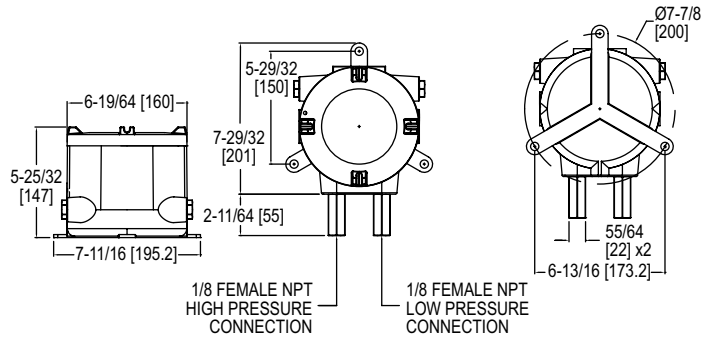


ATEX/IECEx APPROVED COMPACT LOW DIFFERENTIAL PRESSURE SWITCHES

The 1900 in Flameproof ATEX/IECEx Enclosure



AT-101NA-1900, shown with VS0 port/valve configuration

Series AT-1900 ATEX/IECEx Approved Compact Low Differential Pressure Switches is our most popular switch and is now available in a flameproof package. This pressure switch combines advanced design and precision construction to make these switches able to perform many of the tasks of larger, costlier units. For air and non-combustible compatible gases, the Series AT-1900 switches have set points from 0.07 to 20 in w.c. (1.8 to 508 mm). Set point adjustment is easy with range screw located inside the switch enclosure. Series AT-1900 switches are available in aluminum enclosures and ideal for low pressure, hazardous area applications.

BENEFITS/FEATURES

- Flameproof enclosure protects the device in hazardous areas
- Compact size and repeatability provide a high-value switch for many industrial and OEM applications
- Wide range of models from 0.07 in w.c. to 20 in w.c. can meet exacting OEM specifications for a low pressure switch
- Range screw protected inside switch enclosure prevents tampering
- Increased response time at low pressures with LD port configuration

APPLICATIONS

- Hazardous area low pressure applications
- Air conditioning refrigeration coil icing detection; defrost cycle initiation
- Clogged filter detection
- Variable air volume controller

Attention: Check local safety rules and warnings on unit and manual for a correct use of the instrument in hazardous area.

PRESSURE LIMITS		
Port/Valve	One Pressure Port Connected	Both Pressure Ports Connected
VS0	10 kPa	10 kPa
VL0	10 kPa	10 kPa

SPECIFICATIONS

Service: Air and non-combustible, compatible gases.
Wetted Materials: Consult factory.
Temperature Limits: -30 to 180°F (-34 to 82.2°C) (**Note:** Product temperature limits differ from case).
Pressure Limits: See pressure limit chart.
Switch Type: SPDT.
Repeatability: ±3% FS.
Electrical Rating: 15 A @ 120-480 VAC, 60 Hz. Resistive 1/8 HP @ 125 VAC, 1/4 HP @ 250 VAC, 60 Hz. Derate to 10 A for operation at high cycle rates.
Mounting Orientation: Diaphragm in vertical position.
Set Point Adjustment: Screw type on pressure switch inside the enclosure accessible by hole with plug on housing. Set point regulation must be done with instrument de-energized. Follow instructions and safety warning to open cover.
Enclosure Rating: IP66.
Housing Material: Aluminum.
Finishing: Texture epoxy coat RAL7015.
Process Connections: 1/8" NPT female brass (SS optional).
Electrical Connections: Two 1/2" NPT female. Cable gland not included.
Weight: 10.5 lb (4.8 kg).
ATEX Certificate: INERIS 21ATEX0033X.
IECEx Certificate: IECEx INE 21.0064X.
Compliance: ATEX: CE 0080 Ex II 2G Ex db IIC T5, T6 Gb -60°C ≤ T_a ≤ +50°C (T6) -60°C ≤ T_a ≤ +60°C (T5); II 2D Ex tb IIIC T75°C Db
 IECEx: Ex db IIC T5, T6 Gb -60°C ≤ T_a ≤ +50°C (T6) -60°C ≤ T_a ≤ +60°C (T5) Ex tb IIIC T75°C Db.

MODEL CHART										
Example	AT	-101NA	-1910	-00	-B	1	VS0	12	AT-101NA-1910-00-B1VS012	
Enclosure	AT								ATEX/IECEx approved enclosure	
Housing Material		101NA							Aluminum enclosure	
Series			1910						1910 differential pressure switch	
Range				00					0.07-0.15 in w.c. (17.5-37 Pa)	
				0					0.15-0.55 in w.c. (37.5-137 Pa)	
				1					0.40-1.6 in w.c. (100-398 Pa)	
				5					1.4-5.5 in w.c. (348.5-1368 Pa)	
				10					3.0-11.75 in w.c. (747-2924 Pa)	
				20					4.0-20.0 in w.c. (996-4977 Pa)	
Cover					B				Blind	
Port/Valve Material						1			Brass	
						2			SS	
Port/Valve Configurations							VS0		STD port/no valve	
							VL0		LD port/no valve	
Cable Entry								12	1/2" NPT ANSI/ASME B1.20.1	

USA: California Proposition 65
WARNING: This product can expose you to chemicals including Lead, which is known to the State of California to cause cancer and birth defects or other reproductive harm. For more information go to www.P65Warnings.ca.gov