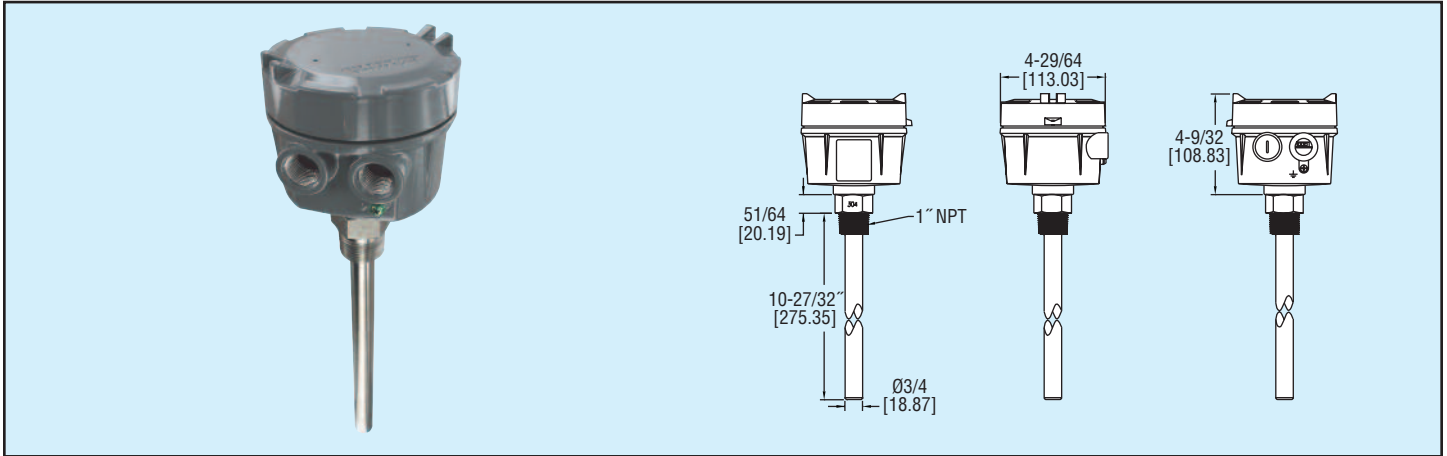




Model  
VRLS

# Vibrating Rod Level Switch

Economical, No Material Build Up, For Powder or Bulk Solids



The Model VRLS Vibrating Rod Level Switch is an economical choice in level detection of powders and bulk solids. The VRLS utilizes a piezoelectric crystal that vibrates the rod at a natural frequency. Once the rod comes in contact with the material, the vibration will be dampened and the switch will change state. Once the rod is uncovered by the material, the switch will revert to its normal state. Perfect for silo or hopper applications, its probe design allows for self-cleaning, ensuring no build-up or bridging of material and accurate detection. Sensitivity is adjustable for detection ranging from large granular material to small powders with low bulk densities. The failsafe mode can be set for failure on high level or failure on low level using a selector switch in the enclosure.

## APPLICATIONS

Lime, styrofoam, tobacco, dry cereals, sugar, animal feed, milk powder, flour, insulation, cement, paper shavings, plastic granules, sawdust, carbon black, light fibers, detergent powders, dyes, chalk, silica, and wood chips.

Model VRLS-01, Vibrating Rod Level Switch

## SPECIFICATIONS

**Service:** Dry powder or bulk materials compatible with wetted materials.

**Sensitivity:** Minimum bulk density of 20 lb/ft<sup>3</sup> (320 kg/m<sup>3</sup>).

**Wetted Materials:** 304 SS.

**Temperature Limits:**

Ambient: -40 to 140°F (-40 to 60°C);

Process: -40 to 176°F (-40 to 80°C).

**Pressure Limit:** 150 psi (10 bar).

**Power Requirement:** 20 to 250 VAC/VDC, 50/60 Hz.

**Power Consumption:** 15 VA.

**Enclosure:** Aluminum, painted.

**Enclosure Rating:** IP65.

**Switch Type:** SPDT.

**Electrical Rating:** 5 A @ 250 VAC.

**Electrical Connections:** Screw terminals.

**Conduit Connection:** 1/2" female NPT x 2.

**Process Connection:** 1" male NPT.

**Indication Lights:** Internal: green and red LED.

**Sensing Delay:** 0 to 6 seconds.

**Weight:** 4.4 lb (2.0 kg).