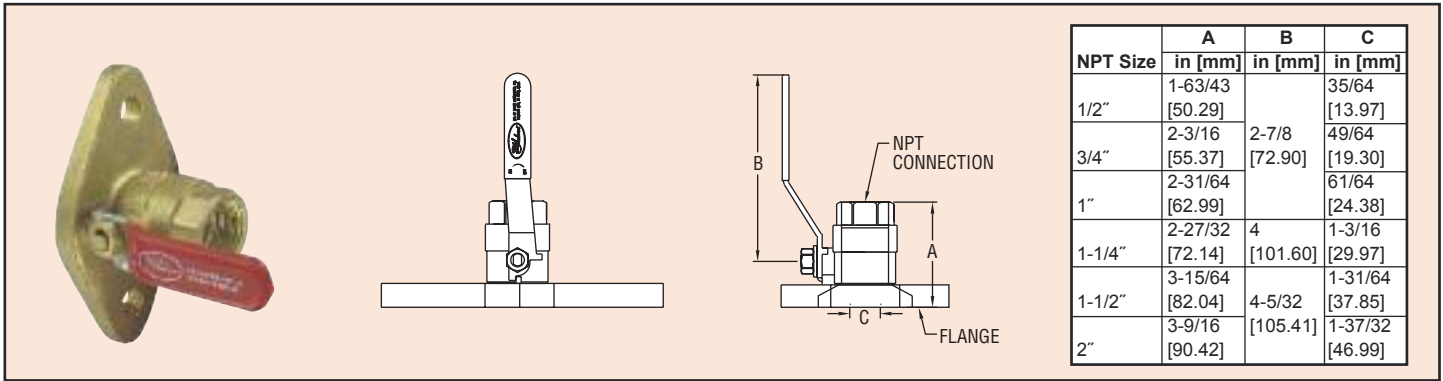




Series
UBV

Uni-Flanged Ball Valve

Forged Brass Construction, Economical, 600 psi (41 bar)



NPT Size	A	B	C
	in [mm]	in [mm]	in [mm]
1/2"	1-63/43 [50.29]		35/64 [13.97]
3/4"	2-3/16 [55.37]	2-7/8 [72.90]	49/64
	2-31/64 [62.99]		61/64 [24.38]
1"	2-27/32 [72.14]	4	1-3/16 [29.97]
1-1/4"	3-15/64 [82.04]	4-5/32 [105.41]	1-31/64 [37.85]
1-1/2"	3-9/16 [90.42]		1-37/32 [46.99]

Series UBV Uni-Flanged Ball Valve is an economical yet durable ball valve great for residential or industrial use. The forged brass body provides the strength and versatility needed for any application. The ball valve is constructed of quality brass in conjunction with PTFE ball seats to work with up to 600 psi (41 bar) of working pressure. Full port construction helps to reduce flow resistance while still maintaining great durability with its uni-body construction. Available in a wide variety of sizes for versatile application.

Model	Pipe Size
UBV-00	1/2"
UBV-01	3/4"
UBV-02	1"
UBV-03	1-1/4"
UBV-04	1-1/2"
UBV-05	2"

SPECIFICATIONS

Service: Gases and liquids compatible with wetted materials.

End Connections:

Female NPT Pressure Limits: -29" Hg to 600 psi (-736 mm Hg to 41.3 bar) (CWP).

Temperature Limit: -40 to 365°F (-40 to 185°C).

Wetted Materials:

- Body and Cap: Brass;
- Ball: Chrome plated brass;
- Stem: Brass;
- Stem Packing and Ball Seat: PTFE.

Other Materials:

- Gland and Stem Nut: Brass;
- Handle: Steel;
- Grip: Rubber.