



Series
SG1

1.5" Stainless Steel Industrial Pressure Gauge

Rometec srl - www.rometec.it - info@rometec.it - Rometec srl - www.rometec.it - info@rometec.it

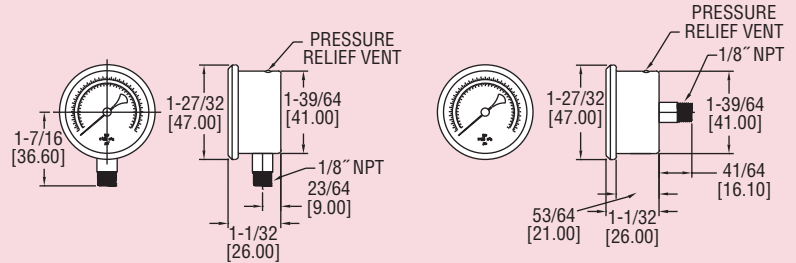
2.5% FS Accuracy, Brass Wetted Parts, Dual PSI/Bar x100 kPa Scales



SG1 Bottom



SG1 Back



The Series SG1 Gauges are perfect for applications where resistance to corrosion is necessary. The stainless steel case and ring offer excellent protection from harsh processes. The SG1 gauges are an economical choice where ambient corrosion and vibration are a concern. Gauges are suitable for all fluids that are compatible with brass and bronze, and are available with bottom or back connections.

Model	Range
SG1-B10121N	0 to 30" Hg
SG1-B10321N	0 to 30 psi
SG1-B10421N	0 to 60 psi
SG1-B10521N	0 to 100 psi
SG1-B10621N	0 to 160 psi
SG1-B10721N	0 to 200 psi
SG1-B11021N	0 to 300 psi

Note: Change ending 21N to 41N for back connection

ACCESSORY

A-445B, U-Bracket Mounting Kit for 1.5" Gauge



Rometec srl - www.rometec.it - info@rometec.it - Rometec srl - www.rometec.it - info@rometec.it

SPECIFICATIONS

Service: Compatible gases and liquids.

Wetted Materials: Brass connector, bronze tube.

Housing: 304 SS.

Lens: Polycarbonate.

Accuracy: ±2.5% FS.

Pressure Limit: FS range.

Temperature Limits: -4 to 140°F (-20 to 60°C).

Size: 1.5" (40 mm).

Process Connections: 1/8" NPT.

Weight: 2.2 oz (63 g) bottom, 2.3 oz (65 g) back.

OPTION

For NIST traceable calibration certificate, use order code NISTCAL-PG1.

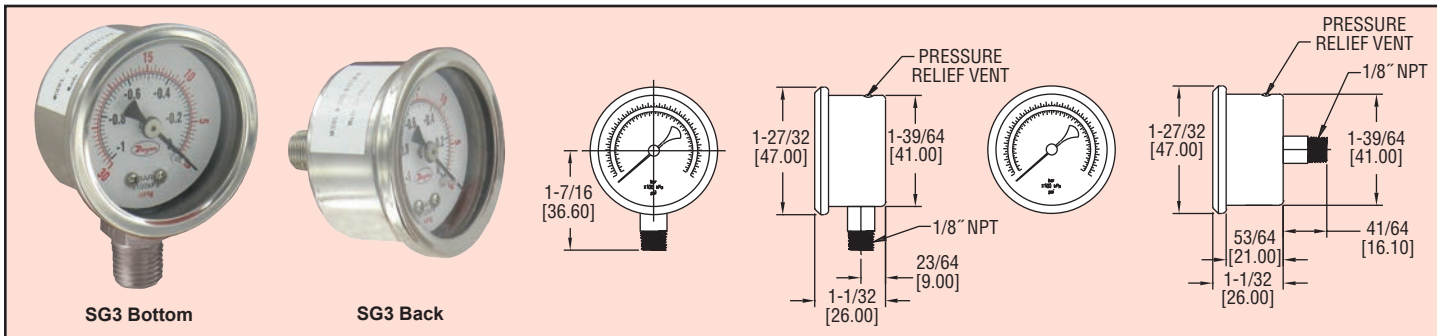
Rometec srl - www.rometec.it - info@rometec.it - Rometec srl - www.rometec.it - info@rometec.it



SG3

1.5" STAINLESS STEEL INDUSTRIAL PRESSURE GAGE

2.5% FS Accuracy, 316 SS Wetted Parts, Dual PSI/Bar x100 kPa Scales



The Series SG3 Gages have dual psi and bar (x100 kPa) scales with $\pm 2.5\%$ full-scale accuracy. The Series SG3 gages are designed with 304 SS housings and 316 SS wetted parts for excellent chemical compatibility. These gages cover a wide variety of ranges from full vacuum to 300 psi. Units can withstand ambient temperatures up to 140°F (60°C). Bottom or back 1/8" NPT connection options available.

Model	Range	Model	Range
SG3-B10121N	30" Hg to 0	SG3-B10621N	0 to 160 psi
SG3-B10321N	0 to 30 psi	SG3-B10721N	0 to 200 psi
SG3-B10421N	0 to 60 psi	SG3-B11021N	0 to 300 psi
SG3-B10521N	0 to 100 psi		

Rometec srl - www.rometec.it - info@rometec.it - Rometec srl - www.rometec.it - info@rometec.it

OPTION

For NIST traceable calibration certificate, use order code NISTCAL-PG1.

SPECIFICATIONS

Service: Compatible gases and liquids.

Wetted Materials: 316 L SS tube, 316 SS connector.

Housing: 304 SS.

Lens: Polycarbonate.

Accuracy: 2.5% FS.

Pressure Limit: FS range.

Temperature Limits: -4 to 140°F (-20 to 60°C).

Size: 1.5" (40 mm).

Process Connections: 1/8" male NPT.

Weight: 2.4 oz (70 g) bottom, 2.5 oz (72 g) back.

ACCESSORY

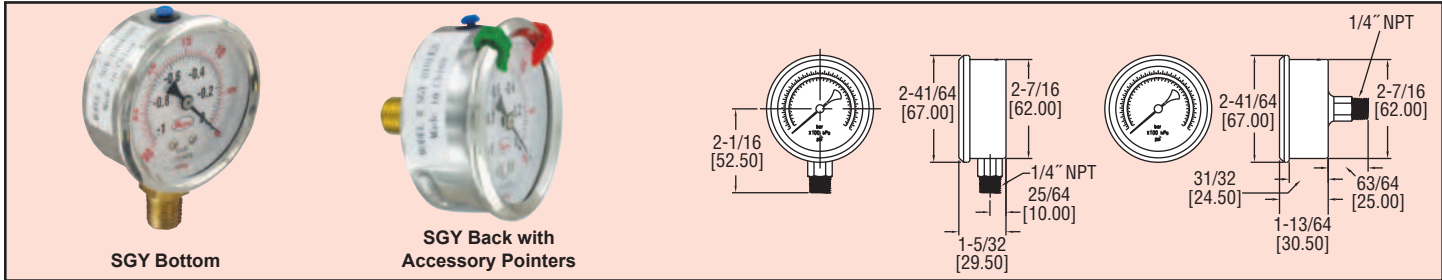
A-445B, U-Bracket Mounting Kit for 1.5" Gage



Series SGY 2.5" Stainless Steel Industrial Pressure Gage

Rometec srl - www.rometec.it - info@rometec.it - Rometec srl - www.rometec.it - info@rometec.it

1.5% FS Accuracy, Brass Wetted Parts, Dual PSI/Bar x100 kPa Scales



SGY Bottom

SGY Back with Accessory Pointers

The Series SGY Gages have dual psi and bar (x100 kPa) scales with $\pm 1.5\%$ full-scale accuracy. The Series SGY gages are designed with 304 SS housings and brass wetted parts for excellent chemical compatibility. These gages cover a wide variety of ranges from full vacuum to 1,000 psi and are available in both bottom or back connections. Series SGY gages employ an easy-open breather plug on top, which allows liquid filled units to breathe, relieving any built up internal pressures. Plug easily pops open and does not need to be entirely removed or cut like a typical gages' rubber plug grommet.

APPLICATIONS

- Vacuums in pneumatic conveying lines
- Positive pressure in compressed air headers

Model	Range	Model	Range
SGY-D10122N	30" Hg to 0	SGY-D10722N	0 to 200 psi
SGY-D10322N	0 to 30 psi	SGY-D11022N	0 to 300 psi
SGY-D10422N	0 to 60 psi	SGY-D11122N	0 to 500 psi
SGY-D10522N	0 to 100 psi	SGY-D11222N	0 to 1000 psi
SGY-D10622N	0 to 160 psi		

Note: To order with glycerin fill add - GF to the end of the model
For back connect, change ending from 22N to 42N

DISPONIBILE ANCHE TUTTO INOX

Rometec srl - www.rometec.it - info@rometec.it - Rometec srl - www.rometec.it - info@rometec.it

SPECIFICATIONS

Service: Compatible gases and liquids.

Wetted Materials: Brass connection, bronze tube.

Housing: 304 SS.

Lens: Polycarbonate.

Accuracy: $\pm 1.5\%$ FS.

Pressure Limit: FS range.

Temperature Limits: -4 to 140°F (-20 to 60°C).

Size: 2.5" (63 mm).

Process Connections: 1/4" male NPT.

Weight: 4.9 oz (139 g) bottom, 5.8 oz (164 g) back. Add 2.8 oz (78 g) for fill.

ACCESSORIES

A-445D, U-Bracket Mounting Kit for 2.5" Gage

A-499R, Red Sliding Color Pointer

A-499Y, Yellow Sliding Color Pointer

A-499G, Green Sliding Color Pointer

OPTION

For NIST traceable calibration certificate, use order code NISTCAL-PG1.

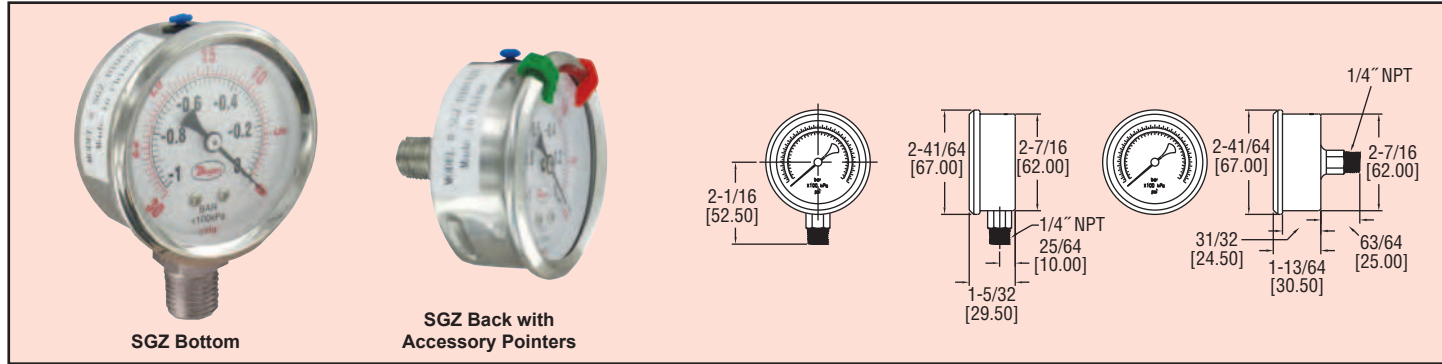


Series
SGZ

2.5" Stainless Steel Industrial Pressure Gage

Rometec srl - www.rometec.it - info@rometec.it - Rometec srl - www.rometec.it - info@rometec.it

1.5% FS Accuracy, 316 SS Wetted Parts, Dual PSI/Bar x100 kPa Scales



The Series SGZ Gages have dual psi and bar (x100 kPa) scales with $\pm 1.5\%$ full-scale accuracy. The Series SGZ gages are designed with 304 SS housings and 316 SS wetted parts for excellent chemical compatibility. These gages cover a wide variety of ranges in either bottom or back connection configurations. Series SGZ gages employ an easy-open breather plug on top, which allows liquid filled units to breathe, relieving any built up internal pressures. Plug easily pops open and does not need to be entirely removed or cut like a typical gages' rubber plug grommet.

Model	Range	Model	Range
SGZ-D10122N	30" Hg to 0	SGZ-D10622N	0 to 160 psi
SGZ-D10322N	0 to 30 psi	SGZ-D10722N	0 to 200 psi
SGZ-D10422N	0 to 60 psi	SGZ-D11022N	0 to 500 psi
SGZ-D10522N	0 to 100 psi	SGZ-D11122N	0 to 1000 psi

Rometec srl - www.rometec.it - info@rometec.it - Rometec srl - www.rometec.it - info@rometec.it

Note: To order with glycerin fill add - GF to the end of the model
For back connect, change ending from 22N to 42N

SPECIFICATIONS

Service: Compatible gases and liquids.
Wetted Materials: 316 L SS Tube, 316 SS connector.
Housing: 304 SS.
Lens: Polycarbonate.
Accuracy: $\pm 1.5\%$ FS.
Pressure Limit: FS range.

Temperature Limits: -4 to 140°F (-20 to 60°C).

Size: 2.5" (63 mm).

Process Connections: 1/4" male NPT.

Weight: 4.9 oz (141 g) bottom, 5.8 oz (164 g) back. Add 3.7 oz (104 g) for glycerin fill.

ACCESSORY

A-445D, U-Bracket Mounting Kit for 2.5" Gage
A-499R, Red Sliding Color Pointer
A-499Y, Yellow Sliding Color Pointer
A-499G, Green Sliding Color Pointer

For NIST traceable calibration certificate, use order code NISTCAL-PG1.