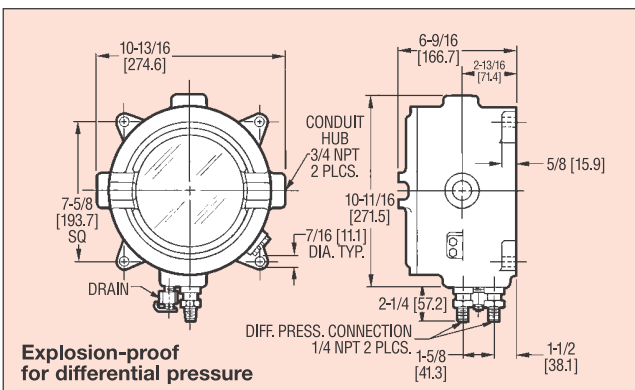
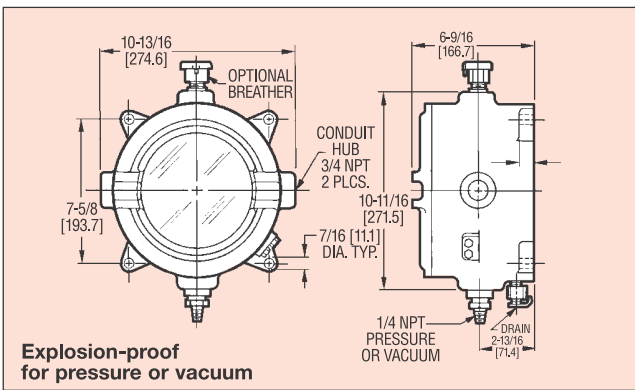
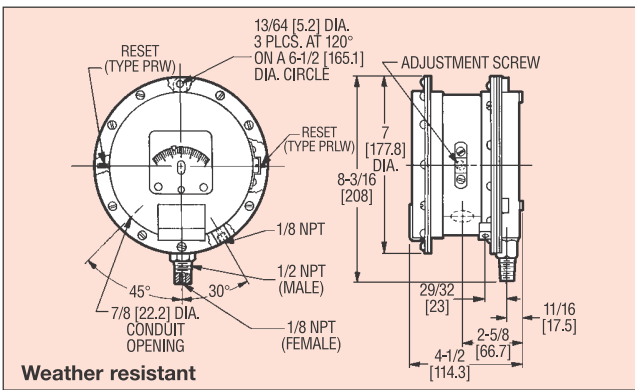
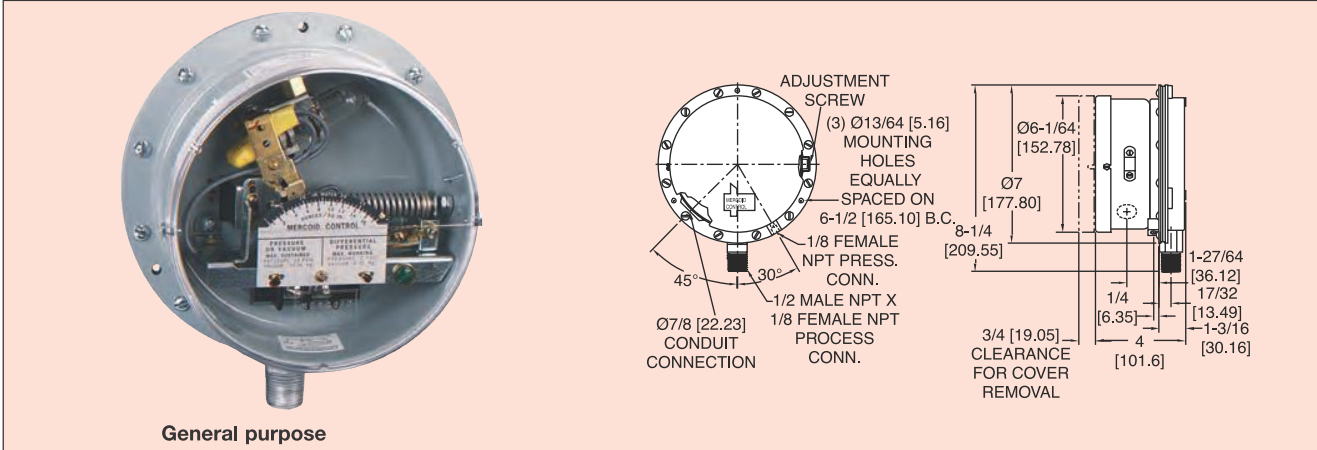




Series **PG** **Differential Pressure Switch**
 External Adjustment, Visible Dial, Hermetically Sealed Snap Switch



Large sensitive diaphragm and reliable, time proven mechanical design are combined in Series PG pressure/differential pressure switches. For use with air and other compatible gases, they feature excellent $\pm 1\%$ of full scale repeatability, clear easy-to-read scale and convenient external setpoint adjustment.

Application flexibility is assured by a large variety of switching options including SPST, SPDT, DPST and DPDT; opening or closing on increasing pressure, vacuum or differential. PR and PRL models add manual reset operation on increasing or decreasing pressure. Mercury switches or hermetically sealed snap switches are available where high humidity would be a problem. If vibration or other factors preclude the use of mercury, snap switches can be provided. Standard housing is NEMA-1. Optional enclosures can be supplied for weather resistant and explosion-proof requirements.

SPECIFICATIONS

Wetted Materials: Fairprene, brass, steel, and aluminum.

Temperature Limits: -10 to 180°F (-23 to 82°C).

Pressure Limit:

Single Pressure Use on High Side:

Sustained Pressure: 15 psig (1.0 bar).

Surge Limit: 20 psig (1.4 bar).

Differential Pressure Use:

Sustained Pressure, Range P1: 2 psig (.14 bar).

Sustained P2: 10 psig (0.7 bar).

Enclosure Rating: General purpose. Weatherproof and explosion-proof optional.

Repeatability: $\pm 1\%$ of full range.

Switch Type: See model chart.

Electrical Rating: See model chart.

Electrical Connections: Screw type.

Conduit Connection: 7/8" (22.23 mm) hole for 1/2" (12.7 mm) conduit hub.

Process Connection: 1/2" male NPT and 1/8" female NPT used for single positive pressure or high differential pressure, 1/8" female NPT used for single vacuum or low differential pressure.

Mounting Orientation: Vertical.

Set Point Adjustment: External screw.

Weight: 4.5 lb (2 kg).

Deadband: See model chart.

Agency Approvals: UL, CSA, FM for mercury switch models. UL only on snap switch models.

MODEL CHART – SERIES PG

Rometec srl - www.rometec.it - Rometec srl - www.rometec.it - Rometec srl - www.rometec.it



					automatic reset, SPDT mercury switch, adjustable range. 1.0-30" w.c. (25-760).			
CONSTRUCTION	PG				General purpose enclosure, NEMA-1 (standard).	UL	FM	CSA
RESET OPERATIONS	PR				Manual reset—operates on pressure increase automatically, resets on decrease ¹ .	UL	FM	CSA
	PRL				Manual reset—operates on pressure decrease automatically, resets on increase ¹ .	UL	FM	CSA
HOUSING OPTIONS		W			Weather-resistant enclosure, NEMA-2, 3R		FM	CSA
		E			Explosion-proof enclosure, NEMA-7, 9 – Class I Group C&D; Class II Group E, F, & G. Includes drain. Specify if for pressure, vacuum or differential pressure.			
CIRCUIT (SWITCHING) OPTIONS (For Electrical Codes see Chart Below)				2	SPST mercury switch, Elect Code K† – opens on vacuum, pressure or differential pressure increase.	UL	FM	CSA
				2P	SPST mercury switch, Elect Code L† – opens on vacuum, pressure or differential pressure increase	UL	FM	CSA
				3	SPST mercury switch, Elect Code K† – closes on vacuum, pressure or differential pressure increase	UL	FM	CSA
				3P	SPST mercury switch, Elect Code L† – closes on vacuum, pressure or differential pressure increase	UL	FM	CSA
				153	SPDT mercury switch, Elect Code M†	UL	FM	CSA
				103	DPST: Two SPST mercury switches, Elect Code L† – both close on increase FM approved PG, PGW only	UL	FM	CSA
				105	DPST: Two SPST mercury switches, One Elect Code L†, One Elect Code N – Both open on decrease.	UL	FM	CSA
				127	DPST: Two SPST mercury switches, Elect Code L† – both open on increase	UL	FM	CSA
				129	DPST: Two SPST mercury switches, One Elect Code L†, One Elect Code N – Both open on increase.	UL	FM	CSA
				158	SPDT: Two SPST mercury switches, One Elect Code L† – opens on increase, One Elect Code N – closes on increase	UL	FM	CSA
				161	SPDT: Two SPST mercury switches, One Elect Code L† – opens on decrease, One Elect Code N – closes on decrease	UL	FM	CSA
				156	SPDT: Two SPST mercury switches, Elect Code L† – One opens on increase, One closes on increase	UL	FM	CSA
				804 (—)	DPDT: Two SPDT mercury switches, Elect Code M† Other Circuits Available, consult factory.			
		7000	153	SPDT: Snap acting switch, Rated 15A at 120 VAC, 8A at 240 VAC, 0.5A at 120 VDC, .25A at 240 VDC (1)				
			153HS 153HG	SPDT Hermetically Sealed Snap Switch, Rated 5A@125/250 VAC 5A resistive @ 30 VDC. SPDT Hermetically Sealed Gold Contact Snap Switch, Rated 1A @ 125 VAC, 1A resistive @ 30 VDC.	UL UL			
		7200	804	DPDT: Two SPDT snap acting switches, Rated 5A at 120/240 VAC, 30 VDC resistive (1)				
ADJUSTABLE DIFFERENTIAL PRESSURE RANGES WITH MAXIMUM SUSTAINED PRESSURES				P1	Adjustable range 1.0-30" w.c. (25-760), maximum sustained pressure 2 psig* [0.14]	UL	FM	CSA
				P2	Adjustable range 0.5-5 psig [.03-.35], maximum sustained pressure 10 psig* [.69]	UL	FM	CSA

(mm w.c.) [bar]

Notes: * Maximum sustained pressure 15 psig [1.0], maximum surge limit 20 psig [1.4], both ranges when used as single pressure switch with low pressure port vented to atmosphere.

¹ 7000-153 and 7200-804 not available with PR or PRL manual reset.

† See Electrical Rating Chart Below.

Electrical Ratings - Mercury Switch

CODE	RATING AC OR DC
K	6A at 120 V, 3A at 240V
L	10A at 120 V, 5A at 240V
M	4A at 120 V, 2A at 240V
N	1A at 120 V, 0.5A at 240V

Deadbands (mm w.c.) [bar] (Approx.)

SINGLE MERCURY SWITCH	RANGE P1, 1-30 IN. W.C.			RANGE P2, .5-5.0 psid		
	MINIMUM In. wc	MIDDLE In. wc	MAXIMUM In. wc	MINIMUM psi	MIDDLE psi	MAXIMUM psi
2 or -3	.7 (18)	1 (25)	1.3 (33)	.11 [.008]	.16 [.011]	.25 [.018]
2P or -3P	2 (50)	2.75 (70)	4 (102)	.31 [.022]	.44 [.031]	1.13 [.079]
152, -153, -4 or -54	1 (25)	1.5 (38)	1.9 (48)	.13 [.009]	.25 [.018]	.38 [.027]
DOUBLE MERCURY SWITCH						
103, -127 or -156	2.5 (65)	3.5 (90)	4.5 (114)	.38 [.027]	.56 [.039]	1.25 [.088]
105, -129, -158, -161 or -804	1.5 (33)	2 (50)	2.5 (64)	.22 [.015]	.31 [.022]	.75 [.053]
119, -131, -190	1.0 (25)	1.5 (38)	1.9 (48)	.13 [.009]	.25 [.018]	.38 [.027]
SINGLE SNAP SWITCH						
153	2.5 (65)	3 (80)	4 (102)	.38 [.027]	.44 [.031]	.5 [.035]
DOUBLE SNAP SWITCH						
804	.5 (12)	.6 (15)	.7 (18)	.13 [.009]	.16 [.011]	.19 [.013]

CALL TO ORDER: U.S. Phone 219 879-8000 • U.K. Phone (+44) (0)1494-461707 • Asia Pacific Phone 61 2 4272-2055