

PROXIMITY

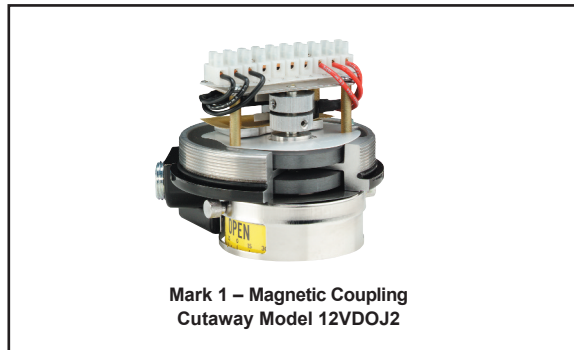
Mark

POSITION INDICATORS/SWITCHES/ Transmitters



The Proximity™ Mark Series is a line of position indicators with a selection of various output options. Three model styles make up the Mark series to cover almost any application. Standard models in the Mark Series have visual position indicators and are weatherproof, explosion-proof, and submersible. A large variety of outputs are available to fit specific applications. There is a choice of 1 to 6 switch outputs of 16 varieties including inductive sensors, high temperature switches, gold contact switches, hermetically sealed switches, and high current switches. Besides the switch outputs the Series offers potentiometer outputs, transmitters and HART Communications. The units are purchased for either direct drive applications, such as rotary valves, or lever drive applications, such as linear valves. Adjustable visual indicator is standard on direct drive units that displays OPEN / CLOSED status and degrees.

A magnetic drive that completely seals the switch compartment from the atmosphere for maximum leak protection is utilized in the Mark 1. The Mark 3 uses the same magnetic drive of the Mark 1, but it can be used for multi-turn applications with 1 to 25 revolutions, such as gate valves. A through shaft drive is incorporated in the Mark 4 making the unit a lower cost alternative to the Mark 1 for applications that are not as demanding.



Mark 1

- Features a magnetic coupling that isolates the switch compartment, completely sealing the unit from the surrounding atmosphere for maximum hazard and leak protection.
- EZset cams on switch models provide simple set point adjustment.
- Flexible design allows multiple switches and transmitter options.
- Ideal for corrosive environments.



Mark 3

- Features a magnetic coupling that isolates the switch compartment, completely sealing the unit from the surrounding atmosphere for maximum hazard and leak protection.
- Multi-Turn models that can provide switch signals between 1 and 25 revolutions, and transmitter models for up to 10 revolutions without gear reduction.
- Flexible design allows multiple switches and transmitter options.
- Ideal for corrosive environments.



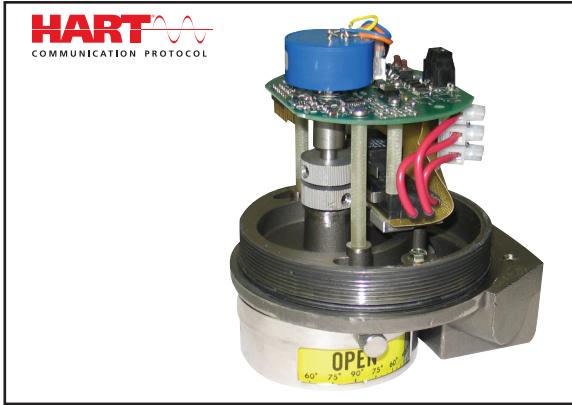
Mark 4

- Thru-Shaft design that features a 1" bushing for long life and O-rings to seal the switch compartment for hazard, corrosion, and leak protection.
- EZset cams on switch models provide simple set point adjustment.
- Flexible design allows multiple switches and transmitter options.
- A lower cost alternative to the Mark 1 Series for less demanding applications.

PROXIMITY

Mark

POSITION INDICATORS/SWITCHES/ Transmitters



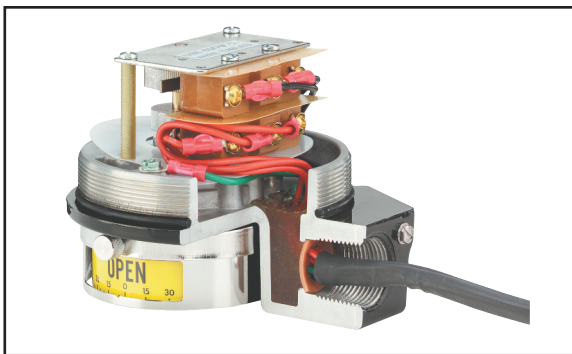
HART® Communications

- Available on Mark 1, 3, and 4 model indicators
- 4 to 20 mA analog position transmitter with HART® communications
- HART® features include:
 - Digital indication of position
 - 4 digital programmable position switches
 - Calibration of zero and span at the device from pushbuttons or through HART® master
 - Indication of sensor failure, programmable to 3.8 or 21 mA
 - Programmable dampening
 - Self test



Junction Package

Complete factory assembled packages combine visual indication, solenoids, switches and transmitter in a single convenient UL, CSA, ATEX, or SAA certified assembly which saves labor and reduces cost. The simple package is shipped ready for installation, complete with a custom designed mounting kit for your specific application. Many options are available such as painted aluminum, epoxy coated aluminum or stainless steel housings including a standard 3/4" NPT conduit entrance and choice of 1 or 2 additional 1/2" NPT conduit entrances. The optional conduit entrances are drilled and tapped in the base of the position indicator housing and solenoid valves are screwed into the entrances. 22 to 16 AWG wire leads from solenoids, switches and optional transmitter are terminated in pre-labeled, easy-access terminal strips protected inside the housing. Note: UL, CSA, ATEX, or SAA approval requires complete package assembly by Proximity. Consult the factory for recommended UL, CSA, ATEX, or SAA approved solenoid valve options.



Factory Sealed Leads

Eliminate the possibility of conduit contamination and the need for seal fittings with Proximity's factory sealed (potted) leads. This seal has been UL tested to 6000 psi (413 bar) and listed for Class I, Groups A, B, C, D; Div. 1 & 2 atmospheres. Groups may vary depending on the switch model. Standard leads are 16 AWG and 36" (91.44 cm) long.



AS-Interface

- AS-Interface allowing networking of up to 31 devices over a 2-wire network
- Option for Mark 1 Magnetic Drive and Mark 4 Thru-Shaft Valve Position Indicators
- Available with 1 or 2 incorporated solenoid valves



PROXIMITY

Mark 1

Rotary Position Indicator

Magnetically Coupled Switches and Transmitters
Ideal for Corrosive Environments



Cutaway View Model 12VD0J2 Shown

***FOR MODELS 11, 12, 41, 42, 61 & 62**

BENEFITS

- The switch compartment is completely isolated from atmosphere.
- A magnetic coupling completely seals the switch compartment for maximum hazard and leak protection, (IP68 and submersible to 50 feet indefinitely).
- Set screw cams provide infinite adjustment, and user-friendly manual cams provide single-step rotational adjustment and locking set screw.
- Flexible design allows multiple mechanical or proximity switches and transmitter option(s).
- Adjustable stainless steel visual indicator with scale is standard for quarter turn direct drive applications.
- Housing options include 1, 2 or 3 conduit entrances, junction package, terminal strip and solenoid valve option(s).
- Mounting hardware is available in plated or stainless steel material for your specific requirements, including rotary, linear and NAMUR mounting hardware.

APPLICATIONS

- Rotary valve actuators and dampers
- Linear valve actuators and cylinders
- Manual valves
- Gear operators
- Positioners

SPECIFICATIONS

Electrical Connections: Screw terminal. Optional factory sealed leads that are 36" (914.4 mm) of 16 AWG.

Conduit Connection: 3/4" female NPT standard. Optional one or two 1/2" female NPT. M25 and M20 optional (standard on SAA certified products).

Mounting Orientation: Not position sensitive.

Minimum Rotation Travel: 5°.

Maximum Rotation Travel: 360°.

Operational Life: Over 10,000,000 cycles.

Maximum Altitude: 2000 meters.

Weight: 3 to 6 lb (1.5 to 3.0 kg).

Approvals: ATEX, CSA, IECEx, INMETRO, UL.

POPULAR MODELS

Model	Description
12AD0	Mark 1 with 2 SPDT switches, direct drive
12AL0	Mark 1 with 2 SPDT switches, lever drive
14AD0	Mark 1 with 4 SPDT switches, direct drive
15VD0	Mark 1 with 2 SPDT switches, position transmitter, direct drive
19OD6	Stainless Steel Mark 1, Transmitter with HART, direct drive

See model chart on page 11.

PROXIMITY

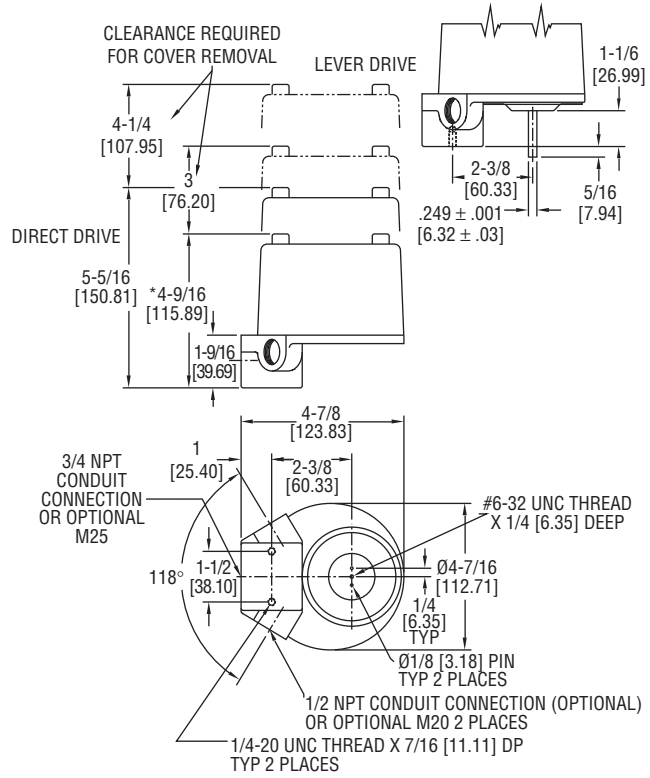
Mark 3

Rotary Position Indicator

Multi-Turn Switches and Transmitters Ideal for Corrosive Environments



Cutaway View Model 36VD0 Shown



*FOR MODELS 11, 12, 41, 42, 61 & 62

BENEFITS

- The switch compartment is completely isolated from atmosphere.
- A magnetic coupling completely seals the switch compartment for maximum hazard and leak protection, (IP68 and submersible to 50 feet indefinitely).
- Switch signals are provided between 1 and 25 revolutions. Transmitter output is available up to 10 revolutions without gear reduction.
- Flexible design allows multiple mechanical switch and transmitter option(s).
- Housing options include 1, 2 or 3 conduit entrances, for junction package with solenoid valve option(s).
- Mounting hardware available in plated or stainless steel for your specific requirements includes rotary, linear and NAMUR mounting hardware.

APPLICATIONS

- Multi-turn rotary valves and actuators
- Linear valve actuators and cylinders
- Multi-turn manual valves
- Gear operators
- Positioners

SPECIFICATIONS

Electrical Connections: Screw terminal. Optional factory sealed leads that are 36" (914.4 mm) of 16 AWG.

Conduit Connection: 3/4" female NPT standard. Optional one or two 1/2" female NPT. M25 and M20 optional (standard on SAA certified products).

Mounting Orientation: Not position sensitive.

Minimum Rotation Travel: 5 revolution.

Maximum Rotation Travel: 25 revolutions.

Operational Life: Over 10,000,000 cycles.

Maximum Altitude: 2000 meters.

Weight: 3 to 6 lb (1.5 to 3.0 kg).

Approvals: ATEX, CSA, IECEx, INMETRO, UL.

POPULAR MODELS

Model	Description
35OD0	Mark 3 direct drive 4-20mA transmitter
35OL0	Mark 3 lever drive 4-20mA transmitter
33OD0	Mark 3 direct drive 1K Ω potentiometer
33OL0	Mark 3 lever drive 1K Ω potentiometer
35AD0	Mark 3 direct drive 4-20mA transmitter with SPDT switch

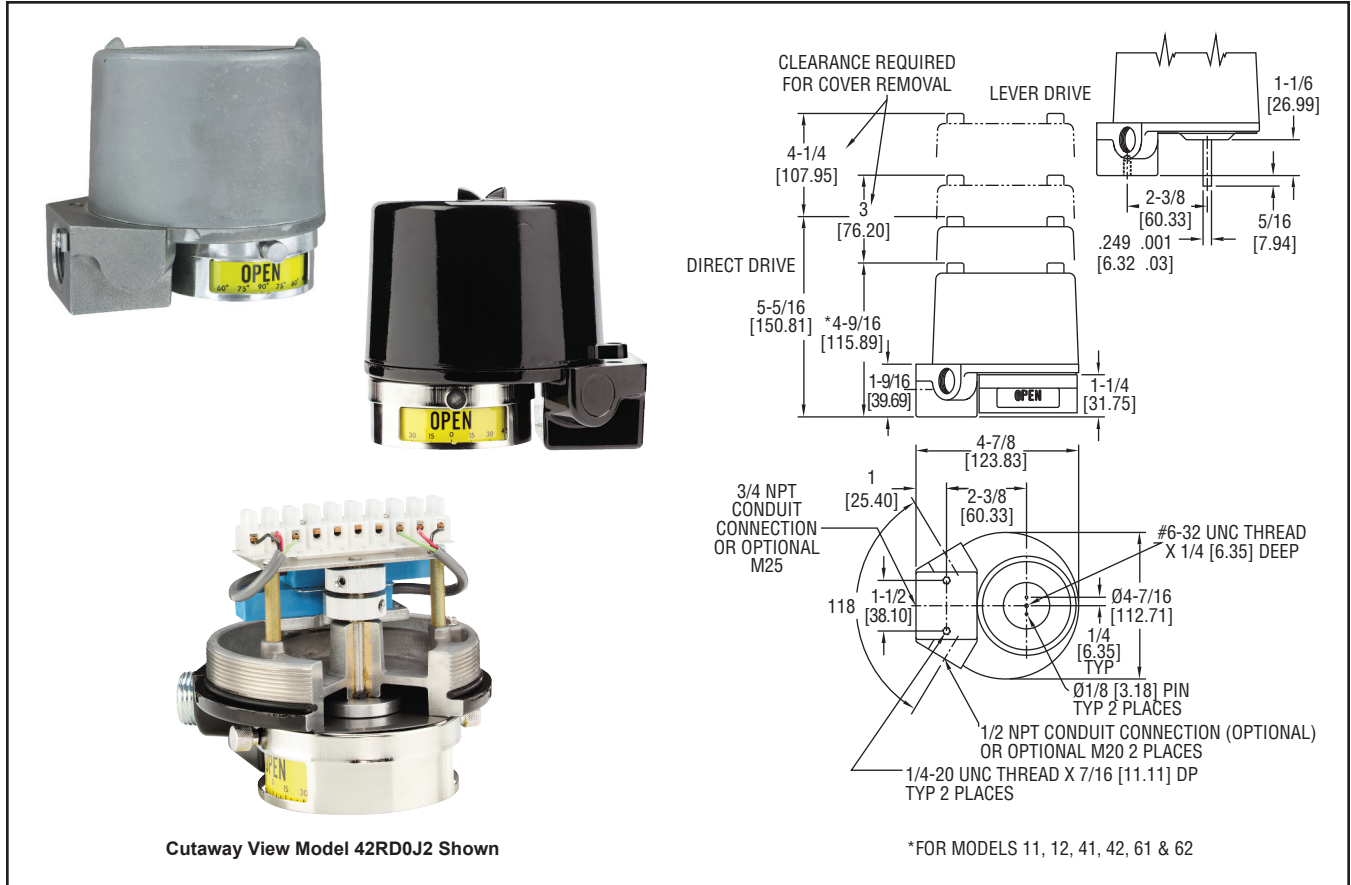
See model chart on page 11.

PROXIMITY

Mark 4

Rotary Position Indicator

Thru-Shaft Switches and Transmitters
Ideal for Corrosive Environments



Cutaway View Model 42RD0J2 Shown

*FOR MODELS 11, 12, 41, 42, 61 & 62

BENEFITS

- A shaft through a 1" bushing and O-ring seals the switch compartment for hazard, corrosion and leak protection, (IP68 submersible).
- Set screw cams provide infinite adjustment, and user-friendly manual cams provide single-step rotational adjustment and locking set screw.
- Flexible design allows multiple mechanical or proximity switch and transmitter option(s).
- Adjustable stainless steel visual indicator with scale is standard for quarter turn direct drive applications.
- Housing options include 1, 2 or 3 conduit entrances, junction package, terminal strip and solenoid valve(s).
- Mounting hardware available in plated or stainless steel for your specific requirements includes rotary, linear and NAMUR mounting hardware.
- High temperature to 600°F (315°C) for limited duration, consult factory for available options.

APPLICATIONS

- Rotary valve actuators and dampers
- Linear valve actuators and cylinders
- Manual valves
- Gear operators
- Positioners

SPECIFICATIONS

- Electrical Connections:** Screw terminal. Optional factory sealed leads that are 36" (914.4 mm) of 16 AWG.
- Conduit Connection:** 3/4" female NPT standard. Optional one or two 1/2" female NPT. M25 and M20 optional (standard on SAA certified products).
- Mounting Orientation:** Not position sensitive.
- Minimum Rotation Travel:** 5°.
- Maximum Rotation Travel:** 360°.
- Operational Life:** Over 10,000,000 cycles.
- Maximum Altitude:** 2000 meters.
- Weight:** 3 to 6 lb (1.5 to 3.0 kg).
- Approvals:** ATEX, CSA, IECEx, INMETRO, UL.

POPULAR MODELS

Model	Description
42AD0	Mark 4 with 2 SPDT switches, direct drive
45AD0	Mark 4 with 4 SPDT switches, direct drive
42VD0-J1	Mark 4 with 2 SPDT switches, junction package, direct drive
44VD0-J1	Mark 4 with 4 SPDT switches, junction package, direct drive
49VD0	Mark 4 with 2 SPDT switches, transmitter with HART, direct drive

See model chart on page 11.

PROXIMITY

Mark

**POSITION INDICATORS/SWITCHES/
Transmitters**

The Proximity™ Mark Series is a line of position indicators with a selection of various output options. Three model styles make up the Mark series to cover almost any application. Standard models in the Mark Series have visual position indicators and are weatherproof, explosion-proof, and submersible. A large variety of outputs are available to fit specific applications. There is a choice of 1 to 6 switch outputs of 14 varieties including inductive sensors, high temperature switches, gold contact switches, hermetically sealed switches, and high current switches. Besides the switch outputs the Series offers potentiometer outputs, transmitters and HART® Communications. The units are purchased for either direct drive applications, such as rotary valves, or lever drive applications, such as linear valves. Adjustable visual indicator is standard on direct drive units that displays OPEN / CLOSED status and degrees.

A magnetic drive that completely seals the switch compartment from the atmosphere for maximum leak protection is utilized in the Mark 1. The Mark 3 uses the same magnetic drive of the Mark 1, but it can be used for multi-turn applications with 1 to 25 revolutions, such as gate valves. A through shaft drive is incorporated in the Mark 4 making the unit a lower cost alternative to the Mark 1 for applications that are not as demanding.

SPECIFICATIONS**Product Rating:**

Weatherproof and flameproof. NEMA 1, 2, 3, 3R, 3S, 4, 4X, 6, 7, 9, 12, 13.

UL rated: Class I, Div. 1 & 2, Groups B, C, D (Some units available for Group A, consult factory); Class II, Div. 1 & 2, Groups E, F, and G.

CSA rated: Class I, Div. 1 & 2, Groups A, B, C, D; Class II, Div. 1 & 2, Groups E, F, and G; Submersible to 50 feet. Certified Ex d IIC T6 IP68 15 meters.

ATEX Compliant:

-B suffix, directive 94/9/EC,
KEMA 03 ATEX 2391. II 2 G Ex d IIC T6 for (-25°/-40°/-50°C ≤ Tamb ≤ 80°C optional wording) depending on output and switch type selected.

-IS suffix directive 94/9/EC,
KEMA 03 ATEX 1392X. II 1 G Ex ia IIC T4.
(Switch type C is not available with ATEX; Switch type B is not available with ATEX intrinsically safe, -IS suffix).

IECEx Compliant:

IE suffix, IECEx DEK II.0056X Ex d IIC T6 Gb for -25°C/-40°C/-50°C ≤ Tamb ≤ 70°C and T5 for -25°C/-40°C/-50°C ≤ Tamb ≤ 80°C.
II suffix, IECEx DEK II.0061X II Ex ia IIC T4 Ga. Compliant per EN 60079-0:2007 EN 60079-11:2006 and EN 60079-26:2006.

INMETRO Compliant:

IM suffix, Certificate: NCC 13.02338 X; Marking: Ex ia IIC T4 Ga
EM suffix, Certificate: NCC 13.02339 X; Marking: Ex d IIC T6 Gb or Ex d IIC T5 Gb

Switch Outputs (Mark 1, 3 and 4)

Temperature Limits: -58 to 176°F (-50 to 80°C). Switch Type C rated to 350°F (176°C) for 600 hours, Switch Type T rated to 250°F (121°C) continuous. [ATEX flameproof, -B suffix, rated -50 to 80°C (-58 to 176°F) for switch type A, G, H, I, or M; -40 to 80°C (-40 to 176°F) for switch type O, R, S, V, or W; -25 to 80°C (-13 to 176°F) for switch type B, D, I, or AS Interface; ATEX intrinsically safe, -IS suffix, rated -25 to 40°C (-13 to 104°F) for switch type D or I; -40 to 40°C (-40 to 104°F) for switch type R, V, or W, or -50 to 40°C (-58 to 104°F) for switch type A, G, or H.]

Switch Type: See model chart on next page.

Electrical Rating: See model chart on next page.

Set Point Adjustment: Mark 1 and 4: 5 to 360°; Mark 3: 1 to 25 revolutions.

Potentiometer (Mark 1, 3 and 4)

Accuracy: ±0.5% of full span. Optional ±0.25% of full span.

Temperature Limits: -40 to 176°F (-40 to 80°C). [ATEX flameproof, -B suffix, rated -40 to 80°C (-40 to 176°F) for switch type A, G, M, O, R, S, T, V, or W; -25 to 80°C (-13 to 176°F) for switch type B, D, or I; ATEX intrinsically safe, -IS suffix, rated -25 to 40°C (-13 to 104°F) for switch type I; -40 to 40°C (-40 to 104°F) for switch type O, R, S, V, or W].

Power Rating: 1.5 watt maximum.

Output Signal: 1000 ohm standard. Optional 2000, 5000, 10000, or 20000 ohms.

Zero and Span Adjustments: Span trim pot with 2000 ohm adjustment. No zero adjustment.

Rotational Travel: Mark 1 and 4: Minimum 0°, Maximum 340°; Mark 3: 0 to 10 revolutions.

Transmitter (Mark 1, 3 and 4)

Accuracy: ±0.5% of full span. Optional ±0.25% of full span.

Temperature Limits: -40 to 176°F (-40 to 80°C). [ATEX flameproof, -B suffix, rated -40 to 80°C (-40 to 176°F) for switch type A, G, M, O, R, S, T, V, or W; -25 to 80°C (-13 to 176°F) for switch type B, D, or I; ATEX intrinsically safe, -IS suffix, rated -25 to 40°C (-13 to 104°F) for switch type I, -40 to 40°C (-40 to 104°F) for switch types O, R, S, V, or W].

Power Requirements: 5 to 30 VDC.

Current Consumption: 50 mA.

Output Signal: 4 to 20 mA.

Zero and Span Adjustments: Trim pots for adjusting both. Mark 1 and 4: Span is adjustable from 50 to 300°; Mark 3: Span is adjustable from 1.5 to 8.5 revolutions.

Conduit Connection: 3/4" female NPT standard. Optional one or two 1/2" female NPT. M25 and M20 optional.

Rotational Travel: Mark 1 and 4: Minimum 50°, Maximum 300°; Mark 3: Minimum 1.5 revolutions, Maximum 8.5 revolutions.

Transmitter w/ HART® (Mark 1, 3 and 4)

Accuracy: ±0.25% of full span.

Temperature Limits: -40 to 176°F (-40 to 80°C). [ATEX flameproof, -B suffix, rated -40 to 80°C (-40 to 176°F) for switch type A, G, M, O, R, S, T, V or W; -25 to 80°C (-13 to 176°F) for switch type B, D or I].

Power Requirements: 8 to 30 VDC.

Current Consumption: 21 mA.

Output Signal: 4 to 20 mA.

HART® Receive Impedance: Rx = 500 kohm; Cx = 2500 pF.

Zero and Span Adjustments: Pushbuttons or HART® master for setting both. Mark 1 and 4: Span is adjustable from 0 to 330°; Mark 3: Span is adjustable from 1.5 to 8.5 revolutions.

Conduit Connection: 3/4" female NPT standard. Optional one or two 1/2" female NPT. M25 and M20 optional.

Rotational Travel: Mark 1 and 4: Maximum 330°; Mark 3: Minimum 1.5 revolutions, Maximum 8.5 revolutions.



Mark

POSITION INDICATORS/SWITCHES/ Transmitters

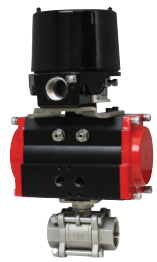


POSITION INDICATORS/SWITCHES/TRANSMITTERS

Construction	1 3 4			Mark 1, Magnetic Coupling Mark 3, Multi-Turn Mark 4, Thru-Shaft	Available Options "A" signifies available with corresponding construction style.		
					Mark		
					1	3	4
Output Type	1			1 Switch	A	--	A
	2			2 Switches	A	A	A
	3			Potentiometer, 1 K Ω. Available with switches, see note below.*	A	A	A
	32			Potentiometer, 2 K Ω. Available with switches, see note below.*	A	A	A
	35			Potentiometer, 5 K Ω. Available with switches, see note below.*	A	A	A
	310			Potentiometer, 10 K Ω. Available with switches, see note below.*	A	A	A
	320			Potentiometer, 20 K Ω. Available with switches, see note below.*	A	A	A
	4			4 Switches	A	A	A
	5			Transmitter, 4 to 20 mA. Available with switches, see note below.*	A	A	A
6			6 Switches. Available with Switch Types B, C, I, R, V, W.	A	A	A	
7			AS-interface and 1 Switch. Available with Switch Types B, I, R, W.	A	--	A	
8			AS-interface and 2 Switches. Available with Switch Types B, I, R, W.	A	--	A	
9			HART® Transmitter. Available with switches, see note below.*	A	A	A	
Switch Type & Rating		A		SPDT Snap, Rated: 15 A @ 125/250/480 VAC (~); 1/8 hp @ 125 VAC (~), 1/4 hp @ 250 VAC (~), 1/2 A @ 125 VDC(=), 1/4 A @ 250 VDC(=).	A	A	A
		B		Inductive Sensor. 10 to 30 VDC(=). Load: 0.1 A.	A	--	A
		C		SPDT High Temperature Snap, 350°F (176°C) for 600 hours, Rated: 15.1 A @ 125/250/277 VAC (~).	A	A	A
		D		DPDT Snap, Rated: 10 A @ 125/250 VAC (~), 0.3 A @ 125 VDC(=), 0.15 A @ 250 VDC(=).	A	A	A
		G		SPDT Gold Contact Snap, Rated: 1 A @ 125 VAC (~).	A	A	A
		H		SPDT Hermetically Sealed Snap, Rated: 1 A @ 125 VAC(=).	A	--	A
		I		NAMUR Inductive Sensor. 15 mA max @ 5-25 VDC (~).	A	--	A
		M		SPDT Magnetic Blow-Out, Rated: 10 A @ 125 VAC (~)/VDC(=), 1/4 hp @ 125 VAC (~)/VDC(=).	A	A	A
		O		No Switches	A	A	A
		R		SPDT Hermetically Sealed Reed, Rated: 2 A @ 125 VAC (~), 2 A @ 24 VDC(=).	A	--	A
		S		SPDT Snap, Rated: 4A @ 125/250 VAC (~).	A	--	A
		T		SPDT High Temperature Snap, 250°F (121°C) Continuous, Rated: 5 A @ 125/250/480 VAC (~).	A	A	A
		V		SPDT Snap, Rated: 10 A @ 125/250 VAC (~), 1/3 hp @ 125/250 VAC (~), 1/2 A @ 125 VDC(=), 1/4 A @ 250 VDC(=), 4 A @ 125 VAC (~) (tungsten).	A	A	A
	W		SPDT Gold Contact Snap, Rated 0.1 A @ 125 VAC (~).	A	A	A	
Driving Method		D		Direct Drive (Yoke) with SS Visual Indicator.	A	A	A
		L		Lever Drive (Shaft), No Visual Indicator.	A	A	A
Enclosure		0		Aluminum, Painted Black	A	A	A
		1		Aluminum, Painted White Epoxy with SS trim	A	A	A
		6		Cast 316 SS	A	A	A
Options		J1		Junction Package with One 1/2" NPT Female Conduit Connection and Terminal Strip.	A	A	A
		J2		Junction Package with Two 1/2" NPT Female Conduit Connection and Terminal Strip.	A	A	A
		SV1		1 Attached Solenoid Valve (Must be ordered with J1 option).	A	--	A
		SV2		2 Attached Solenoid Valves (Must be ordered with J2 option).	A	--	A
		MT		Metric Threaded Conduit Connection, M25 (M20 for optional J1 and J2 connections).	A	A	A
		B		Directive 94/9/EC, KEMA 03 ATEX 2391, CE II 2 G Ex d IIC T6 (-25/-40/-50°C†† ≤ Tamb ≤ 70°C) (T5 (-25/-40/-50°C†† ≤ Tamb ≤ 80°C) optional wording).	A	A	A
		IS		Directive 94/9/EC, KEMA 03 ATEX 1392 x, CE II 1 G Ex ia IIC T4.	A	A	A
		IE		IECEX DEK II.0056X Ex d IIC T6 Gb for -25°C/-40°C/-50°C ≤ Tamb ≤ 70°C and T5 for -25°C/-40°C/-50°C ≤ Tamb ≤ 80°C.	A	A	A
		II		IECEX DEK II.0061X II Ex ia IIC T4 Ga. Compliant per EN 60079-0:2007 EN 60079-11:2006 and EN 60079-26:2006.	A	A	A
	IM		Certificate: NCC 13.02338 X; Marking: Ex ia IIC T4 Ga	A	A	A	
	EM		Certificate: NCC 13.02339 X; Marking: Ex d IIC T6 Gb or Ex d IIC T5 Gb	A	A	A	

*Note: Mark 1 and 4 potentiometer and transmitter outputs will have no switches when ordered with switch type 0; 2 switches if ordered with switch types B, C, I, R, V, or W; and 4 switches if ordered with switch type S. Mark 3 potentiometer and transmitter outputs will have no switches when ordered with switch type 0, and 2 switches if ordered with switch types A, G, M or T.

††Minimum temperature depends on output and switch type selected.



PROXIMITY Mark MOUNTING KITS



Mounting kits with drive yoke (see drawing), or slotted lever arm, bracket, fasteners and other zinc plated or stainless steel hardware fit over 2000 popular valves and actuators. A high strength spring tempered stainless steel drive yoke/coupling is tailored to fit securely to a specific valve or actuator stem. There is no slippage or binding. No special alignment fixtures are required due to switch offset design and yoke to stem engagement that makes installation a "snap". Each kit is specially designed for a particular valve or actuator, making field mounting simple with standard tools. Please specify make and model of valve or actuator on order.

Mounting kits can be used interchangeably with all models since external mounting features are identical. Rotary valves utilize direct drive couplings and a slotted lever drive is used with linear valves. Lever drives convert linear motion to rotary. Stainless steel visual indicators are standard for direct drive, automated quarter-turn valve applications.

SPECIFICATIONS

Material: Plated steel or stainless steel.

Valve Types: Quarter turn actuators, manual quarter turn valves, linear control valves.

Popular Bracket Models

Model	Description	Hole Pattern	Shaft Height	Material
901-564	NAMUR A	30 x 80 mm	20 mm	Plated steel
901-565	NAMUR B	30 x 80 mm	30 mm	Plated steel
901-566	NAMUR C	30 x 130 mm	30 mm	Plated steel
901-567	NAMUR D	30 x 130 mm	50 mm	Plated steel
901-632	NAMUR E	25 x 50 mm	20 mm	Plated steel
901-979	NAMUR F	30 x 150 mm	30 mm	Plated steel
901-567	NAMUR G	30 x 175 mm	30 mm	Plated steel
901-564-S	NAMUR A	30 x 80 mm	20 mm	Stainless steel
901-565-S	NAMUR B	30 x 80 mm	30 mm	Stainless steel
901-566-S	NAMUR C	30 x 130 mm	30 mm	Stainless steel
901-567-S	NAMUR D	30 x 130 mm	50 mm	Stainless steel
901-632-S	NAMUR E	25 x 50 mm	20 mm	Stainless steel
901-979-S	NAMUR F	30 x 150 mm	30 mm	Stainless steel
901-567-S	NAMUR G	30 x 175 mm	30 mm	Stainless steel

Note: Additional mounting kit options are available, contact factory for mounting kit model numbers.