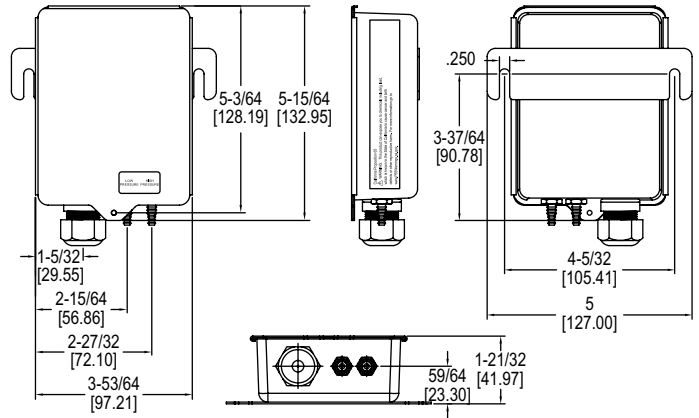




INDUSTRIAL DIFFERENTIAL PRESSURE TRANSMITTER

±0.25% or ±0.5% Full-Scale Accuracy, Ranges from 0 to 10 in w.c.

CALIBRATION SERVICES AVAILABLE



The **Series IDPT Industrial Differential Pressure Transmitter** features a rugged, water resistant housing and highly stable accuracy for a long service life in most industrial applications. This pressure transmitter utilizes a capacitive pressure sensor on ranges 0 to 0.25 in w.c. to 0 to 1 in w.c. and a piezo sensor on ranges 0 to 2.5 in w.c. to 0 to 10 in w.c., both of which offer accuracy options of 0.25% or 0.5% full-scale. The cap cell allows the IDPT to maintain critical processes in industrial applications. The series offers a 4-20 mA 2-wire version for a loop powered current output as well as a 0-5 V/0-10 V selectable voltage output version.

BENEFITS/FEATURES

- Supports critical applications due to 0.25% accuracy on most ranges
- Maintains process quality with a stable accuracy
- Allows for use in critical processes with pressure ranges as low as 0.25 in w.c.
- Ensures a long service life in heavy industrial processes with the robust stainless steel housing

APPLICATIONS

- Semiconductor
- Pharmaceutical
- Laboratories
- Fume hoods
- HVAC pressure
- Critical measurement
- High purity

MODEL CHART

Model	Accuracy	Range
IDPT-12B-IN	0.25%	0 to ±0.25 in w.c.
IDPT-12U-IN	0.25%	0 to 0.25 in w.c.
IDPT-22B-IN	0.5%	0 to ±0.25 in w.c.
IDPT-22U-IN	0.5%	0 to 0.25 in w.c.
IDPT-23U-IN	0.5%	0 to 0.50 in w.c.
IDPT-24U-IN	0.5%	0 to 1 in w.c.
IDPT-25U-IN	0.5%	0 to 2.5 in w.c.
IDPT-26B-PA	0.5%	0 to ±1250 Pa
IDPT-26U-IN	0.5%	0 to 5 in w.c.

SPECIFICATIONS

Service: Clean, dry, compatible gases.
Wetted Materials: Consult factory.
Accuracy: ±0.5% FS standard, ±0.25% FS high accuracy.
Stability: ±0.5% FS per year.
Temperature Limits: -4 to 158°F (-20 to 70°C); Storage: -22 to 176°F (-30 to 80°C).
Compensated Temperature Range: 36 to 135°F (2 to 57°C).
Pressure Limits: 2 psi max.
Thermal Effects: ≤ 1 in w.c.: ±0.015% FS/°F; > 1 in w.c.: ±0.025% FS/°F.
Power Requirements: 10-35 VDC (2-wire), 17-36 VDC isolated 21.6-33 VAC (3-wire).
Output Signal: 4-20 mA DC, 2-wire; 0-5 VDC/0-10 VDC selectable, 3-wire.
Zero and Span Adjustments: Push-buttons accessible by removing the housing cover.
Response Time: 250 ms.
Loop Resistance: 0-1045 Ω, V_{min}=12V+[(.22A)(R_L)] (2-wire); Min. load resistance 1 kΩ (3-wire).
Electrical Connection: Screw terminals.
Process Connection: Barbed SS for 3/16" ID tubing.
Enclosure Rating: NEMA 2 (IP11).
Mounting Orientation: Pressure sensor measurement is unaffected by orientation.
Weight: ≤ 1 in w.c.: 0.94 lb (0.43 kg); > 1 in w.c.: 1.08 lb (0.49 kg).
Compliance: CE.

MODEL CHART

Example	IDPT	-1	2	U	-IN	-FC	IDPT-12U-IN-FC
Series	IDPT						Industrial differential pressure transmitter
Accuracy		1	2				0.25% 0.50%
Range				2			0 to 0.25 in w.c. (60 Pa) 0 to 0.50 in w.c. (125 Pa) 0 to 1.0 in w.c. (250 Pa) 0 to 2.5 in w.c. (600 Pa) 0 to 5 in w.c. (1250 Pa) 0 to 10 in w.c. (2500 Pa)
Direction				U			Unidirectional Bidirectional
Units					IN	PA	Inches of water column Pascals
Options						FC	Factory calibration NIST NIST traceable calibration certificate Silicone free

USA: California Proposition 65
WARNING: This product can expose you to chemicals including Lead, which is known to the State of California to cause cancer and birth defects or other reproductive harm. For more information go to www.P65Warnings.ca.gov