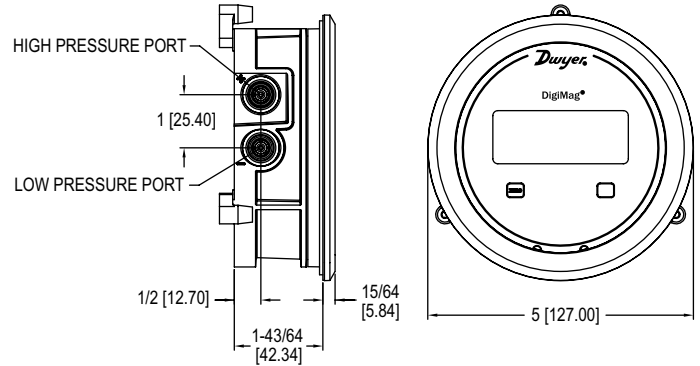


DIGIMAG[®] DIFFERENTIAL PRESSURE TRANSMITTER

Same Size as Standard Magnehelic[®] Differential Pressure Gage

CALIBRATION SERVICES AVAILABLE



The **Series DM DigiMag[®] Differential Pressure Transmitter** senses the pressure of air and compatible gases and sends a standard 4-20 mA output signal. The DM housing is specifically designed to mount in the same diameter cutout as a standard Magnehelic[®] gage. A wide range of models are available factory calibrated to specific ranges. The polycarbonate molded housing features integral pressure connections, which reduces installation time. Digital push-button zero and span simplify calibration over typical turn-potentiometers. A single push-button allows field selection of 4 to 6 engineering units, depending on the range.

BENEFITS/FEATURES

- Reduced installation time through zero and span controls that provides quick and easy calibration
- Fast and easy setup and calibration with push-button zero and span controls
- Immediate corrective action can be taken by local alerts via the easy-to-read LCD display
- Reduces upgrade installation costs and simplifies field upgrade from a Magnehelic[®] gage, as both use the same diameter cutout

APPLICATIONS

- Differential pressure across filters
- Fan control
- Static pressures in ducts or buildings
- Room pressurization monitoring

MODEL CHART			
Model	Range	Model	Range
DM-001	0.1 in w.c.	DM-052	30 Pa
DM-002	0.25 in w.c.	DM-053	60 Pa
DM-003	0.5 in w.c.	DM-056	250 Pa
DM-004	1 in w.c.	DM-059	1250 Pa
DM-005	2 in w.c.	DM-252	±30 Pa
DM-007	3 in w.c.	DM-253	±60 Pa
DM-008	5 in w.c.	DM-256	±250 Pa
DM-019	-0.05-0-0.20 in w.c.	DM-259	±1250 Pa
DM-201	±0.1 in w.c.	DM-082	6 mm w.c.
DM-202	±0.25 in w.c.	DM-282	±6 mm w.c.
DM-203	±0.5 in w.c.		

SPECIFICATIONS

Service: Air and non-combustible, compatible gases.
Wetted Materials: Consult factory.
Housing Material: Polycarbonate.
Accuracy: ±1% FSO for all ranges except 0.25 in w.c. @ ±2% FSO, and ranges at or below ±0.1 in w.c. @ ±4% FSO.
Stability: < ±1%/year FSO.
Pressure Limits: Ranges > 1 in w.c.: 6 psi max operation, 6 psi burst; Ranges ≤ 1 in w.c.: 3.6 psi max operation, 6 psi burst.
Temperature Limits: -4 to 158°F (-20 to 70°C).
Thermal Effect: 0.036% FS/°C (0.02% FS/°F).
Power Requirements: 10-35 VDC (2-wire).
Output Signal: 4-20 mA (2-wire).
Zero and Span Adjustments: Push-button.
Loop Resistance: 0 to 1250 Ω max.
Current Consumption: 21 mA max.
Electrical Connections: Screw-type terminals.
Process Connections: Male ports on side for 1/8", 3/16", 1/4", 5 mm, 6 mm ID flexible tubing.
Enclosure Rating: NEMA 4X (IP66).
Mounting Orientation: Not sensitive to position.
Size: 5" OD (127 mm) x 1.9" (48 mm) deep.
Weight: 7.04 oz (200 g).
Agency Approvals: CE.

ACCESSORIES

Model	Description
A-299	Surface mounting bracket
A-300	Flat flush mounting bracket
A-302F-A	303 SS static pressure tip with mounting flange, for 3/16" I.D. rubber or plastic tubing. 4" insertion depth, includes mounting screws
A-320-A1	Instrument enclosure
A-489	4" straight static pressure tip with flange 100-240
SCD-PS	VAC/VDC to 24 VDC power supply

OPTIONS

Use order add suffix:	Description
-FC	Factory calibration certificate
-NIST	NIST traceable calibration certificate
-SS	304 brushed stainless steel bezel
Example: DM-202-FC	