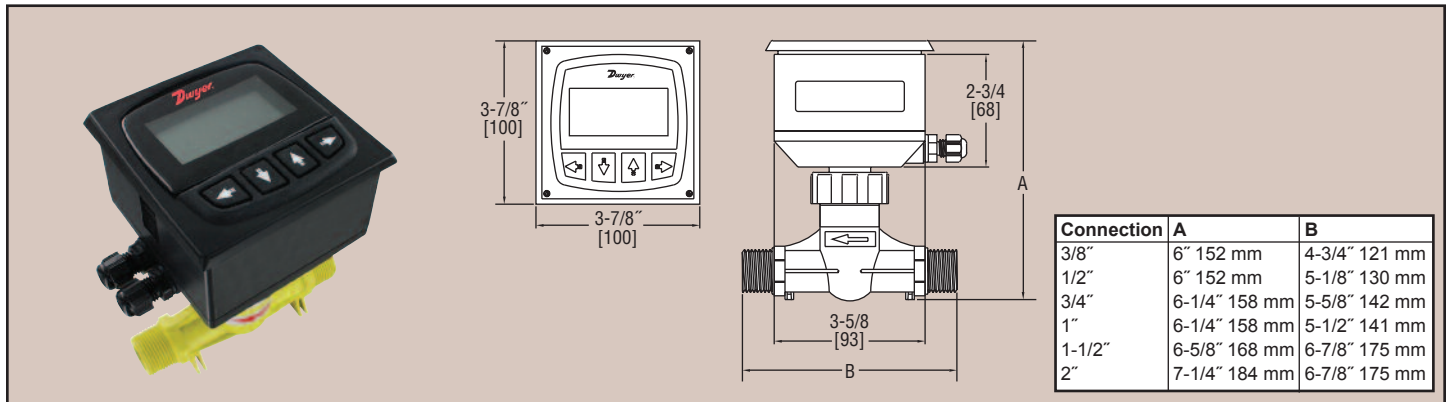




Series
DFMT

Digital Paddlewheel Flow Transmitter

Flow and Total Indication, Easy to Read LCD Display, 4 to 20 mA or Pulse Output



Connection	A	B
3/8"	6" 152 mm	4-3/4" 121 mm
1/2"	6" 152 mm	5-1/8" 130 mm
3/4"	6-1/4" 158 mm	5-5/8" 142 mm
1"	6-1/4" 158 mm	5-1/2" 141 mm
1-1/2"	6-5/8" 168 mm	6-7/8" 175 mm
2"	7-1/4" 184 mm	6-7/8" 175 mm

The Series DFMT Digital Paddlewheel Flow Transmitter provides instantaneous, as well as totalizing flow monitoring, making it ideal for commercial and industrial systems. The large backlit LCD display makes navigating through the menu structure simple. The Series DFMT uses high accuracy paddlewheel technology, offers a user selectable 4 to 20 mA or pulse output, and has a corrosion resistant PVDF sensor giving it a long operation life. Users can reset the totalizer at any time and set a security password protecting the setting from unauthorized changes.

Model	Range GPM (m ³ /h)	Connection
DFMT-10A	0.5 to 8 (0.1 to 2)	3/8" NPT
DFMT-15A	0.9 to 18 (0.2 to 4.09)	1/2" NPT
DFMT-20A	1.3 to 26 (0.3 to 5.91)	3/4" NPT
DFMT-25A	2.2 to 50 (0.5 to 11.36)	1" NPT
DFMT-40A	6.6 to 105 (1.5 to 23.85)	1-1/2" NPT
DFMT-50A	8.8 to 180 (2 to 40.9)	2" NPT

SPECIFICATIONS

Service: Compatible clean liquids.

Range: See model chart.

Wetted Materials:

- Sensor and Impeller: PVDF;
- Shaft: Ceramic;
- O-Rings: Fluoroelastomer.

Accuracy: ±1.5% FS.

Repeatability: ±0.5% FS.

Output:

- Analog: 4 to 20 mA (750 Ω max. loop resistance);
- Pulse: NPN square wave output; Frequency: 0 to 2 kHz (adjustable); Pulse width: 0 to 1000 ms (adjustable).

Electrical Connections: Removable screw terminal.

Temperature Limits:

- Process: -4 to 194°F (-20 to 90°C);
- Ambient: -4 to 149°F (-20 to 65°C).

Pressure Limit: 145 psi (1.0 MPa).

Power Requirements: 12 to 24 VDC.

Power Consumption: 2 W.

Display: 2.38 x 1.25" (60.33 x 31.75 mm) LCD.

Totalizing Display Maximum: 9,999,999,999.

Process Connection: See model chart.

Enclosure Rating: IP65.

Enclosure Material: ABS plastic.

Weight: 1.10 lb (0.5 kg).

FLOW

Flow Transmitters,
Paddlewheel, In-Line