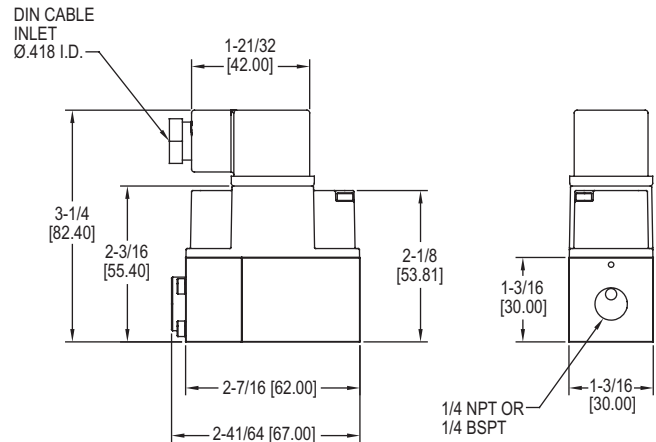
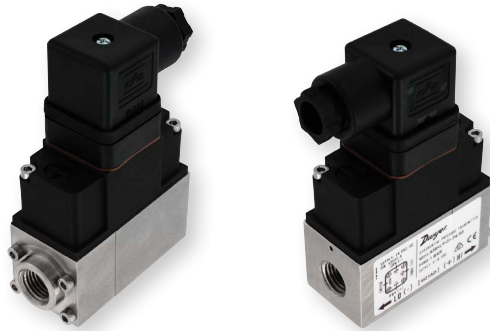


DIFFERENTIAL PRESSURE TRANSMITTERS

High Accuracy, IP65 Enclosure



The **Series 629HLP Differential Pressure Transmitters** are suitable for measuring over-pressure, under-pressure, and differential pressure in compatible gases and liquids with 1% accuracy. The 629HLP is suitable for all measuring tasks in commercial, industrial or sanitary applications. Dual pressure sensors convert pressure changes into a standard 4 to 20 mA or 0 to 10 VDC output signal.

FEATURES/BENEFITS

- Rugged, versatile, high accuracy device
- For liquid or gas systems requiring precise measurements
- Provide excellent response and reliability
- Suitable for static and dynamic measurements
- Converts pressure changes into 4 to 20 mA or 0 to 10 VDC output
- Compact, lightweight, capable to be installed in any arrangement making installation very simple

APPLICATIONS

- Heat exchangers
- Fan coils/air handlers
- Core testing applications
- Hydraulic systems
- High line pressures/low DP
- Pumps
- Commercial/industrial processes
- Sanitary process

MODEL CHART						
Example	629HLP	-01	-P2	-S1	-FC	629HLP-01-P2-S1-FC
Series	629HLP					Differential pressure transmitter
Range		01				0 to 1 bar
		02				0 to 2.5 bar
		04				0 to 4 bar
		06				0 to 6 bar
Process Connections			P2			1/4" female NPT
			P4			1/4" female BPST
Output Signal				S1		4 to 20 mA
				S5		0 to 10 VDC
Options					FC	Factory calibration
					NIST	NIST certificate

Note: PSI ranges available upon request. Contact factory for details.

SPECIFICATIONS

Service: Compatible gases or liquids.
Wetted Material: 304 SS.
Housing Material: ABS.
Enclosure Rating: IP65.
Accuracy: ±1% from -5 to 60°C (23 to 140°F).
Stability: ±1% FS/year.
Temperature Limits: Ambient: -10 to 60°C (14 to 122°F); Process: -10 to 80°C (14 to 176°F).
Relative Humidity: 10% to 90% non-condensing.
Installation Position: Not position sensitive.
Pressure Limits: See Pressure Range Limits chart.
Burst Pressure: See Pressure Range Limits chart.
Static Pressure Limits: See Pressure Range Limits chart.
Output Signal: 4 to 20 mA, 0 to 10 VDC.
Response Time: 50 ms.
Rated Supply Voltage: 0 to 10 VDC Output: 12 to 36 VDC or 12 to 32 VAC (@ Max load of 2k Ω) 4 to 20mA output: 8 to 36 VDC.
Max Loop resistance: (Supply Voltage – 8 V) / 0.02 for 4 to 20mA output.
Power Consumption: $V_{out} = 13$ mA max, $I_{out} = 24$ mA max.
Electrical Connections: Form A DIN 43650.
Process Connections: 1/4" female NPT, 1/4" female BSPT.
Weight: 1 lb 4 oz (567 g).
Approvals: CE, RCM.

PRESSURE RANGE LIMITS

Pressure Range	Maximum Static Pressure (bars)	*Maximum Differential Over Pressure	**Burst Differential Pressure
0 to 1 bar	25	5	8
0 to 2.5 bar	25	5	8
0 to 4 bar	25	12	18
0 to 6 bar	25	12	18

Note: *The differential pressure limit, between high and low ports, that the transmitter can withstand without affecting transmitter performance
******Differential pressures between high and low ports that exceed overpressure limits will result in permanent diaphragm deformation, and any pressure higher than the burst pressure limits will rupture the diaphragm.

ACCESSORIES

Model	Description
A-629HLP-BKT	Mounting bracket kit
BBV-1B	3-Valve Block Manifold
A-228	12" SS Flex Hose